

An 8-ft. long post with a minimum 7-in. diameter can be used for the upright post. The post should be installed a minimum of 3-ft. deep and set in concrete. Try to leave concrete 6-in. below ground level. The below diagram shows a proper diagonal brace installation.

## 2a. DIAGONAL BRACE INSTALLATION

- Diagonal Brace
  - Horizontal/Diagonal Brace
- of terminations:  
points for the fencing. We recommend two types

## 2. TERMINATION INSTALLATION:

After determining fence location, terminations must be installed. Terminations serve as anchor points for the fencing. We recommend two types

## 1. DETERMINE FENCE LOCATION:

Mark the location of the corners and gates to determine your fence line. Make sure to call utility company before digging.

# INSTALLATION GUIDE

FOR  
ELECTRIC & NON-ELECTRIC  
SINGLE STRAND WIRE & 1" RAIL PRODUCTS

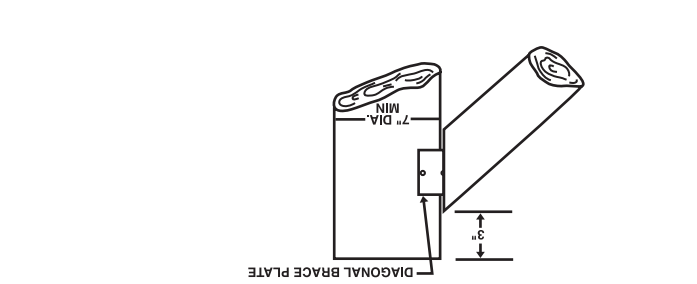
### HIGHLIGHTED INSIDE:

- 1 Determine Fence Location
- 2 Termination Installation
- 3 Corner Installation
- 4 Unroll Bottom Strand of Fence
- 5 Attach Fence to Termination Post
- 6 Install Line Posts & Attach Bottom Strand
- 7 Unroll Remaining Strands & Attach to Line Post
- 8 Splicing Strands Together
- 9 Make Required Electrical Connections



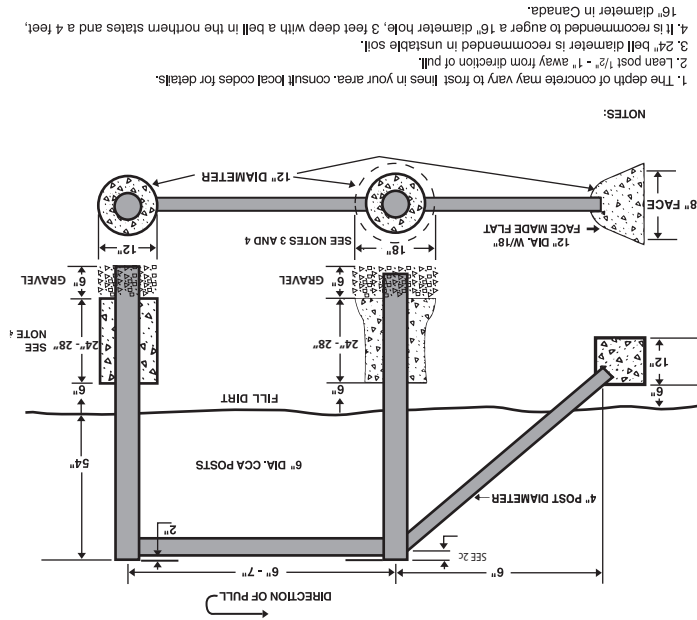
**HTP FENCING SYSTEMS**  
The Horse Friendly Fence®

www.centaurhtp.com



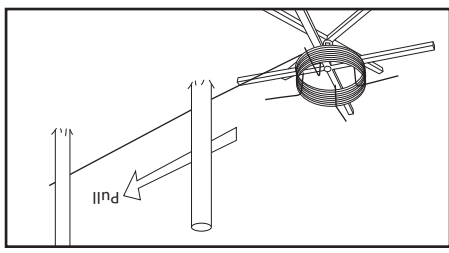
Use a diagonal brace plate (illustrated below) to attach the diagonal braces.

## 2c. ATTACHING DIAGONAL BRACE



For a stronger end or gate post, use a horizontal/diagonal brace. Follow diagram shown below.

## 2b. HORIZONTAL/DIAGONAL BRACE INSTALLATION



**NOTE:** Secure loose end of material if driving to unroll.

Place the roll of material securely on a spinning jenny and unroll the single strand wire by walking and holding the wire or placing the spinning jenny on a vehicle and drive slowly along the fence line.

## 4. UNROLL BOTTOM STRAND OF FENCE

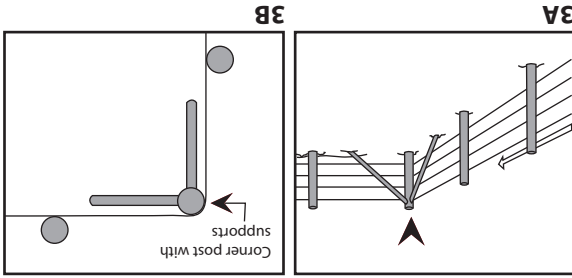
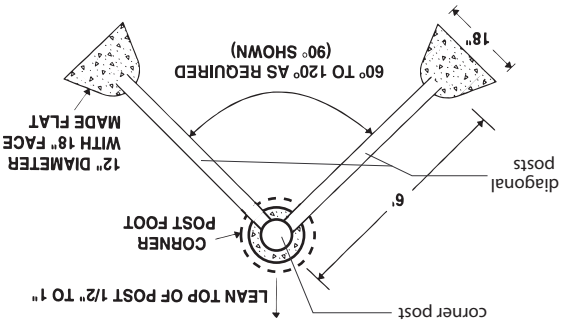


Diagram 3A below points out the corner post and the single strand wire running on the outside of the line posts. Diagram 3B shows the single strand running on the inside of the posts. **NOTE:** When running wire on inside of posts, offset corner posts and run wire on outside of corner posts.



When planning a 90° corner, reinforce upright as shown in the diagram below. The diagram is a top view of the post layout.

## 3. CORNER INSTALLATION:

## ACCESSORIES CHECKLIST

### Hot-Site® (electric):

- END-sulator Kit**  
Use at every termination & gate
- In-Line Tensioner**  
Use at termination/in-line
- 15 Gauge Wire Links**  
Use (2) per splice
- Safety Sleeve (to cover T-post)**  
Space every 8, 10, or 12 ft.
- OR
- Bracket Insulator**  
Use to connect rail to wood post

### Polystrand® HTP® (non-electric):

- In-Line Tensioner**  
Use at termination/in-line
- T-Post Insulator**  
Use for metal T-post
- 12.5 Gauge Wire Links**  
Use (1) per splice
- Safety Sleeve (to cover T-post)**  
Space every 8, 10, or 12 ft.
- Safety Sleeve Clips**  
Use (1) per attachment
- Staples**  
Use to attach wire to wood post

### White Lightning® (electric):

- END-sulator Kit**  
Use at every termination & gate
- In-Line Tensioner**  
Use at termination/in-line
- 12.5 Gauge Wire Links**  
Use (1) per splice
- Safety Sleeve Clips**  
Use (1) per attachment
- OR
- Wood Post Insulator**  
Use to connect wire to wood post
- OR
- T-Post Insulator**  
Use for metal T-post
- OR
- Safety Sleeve (to cover T-post)**  
Space every 8, 10, or 12 ft.



**HTP FENCING SYSTEMS**  
The Horse Friendly Fence®

Call with questions today (256) 248-2403 or visit us online [www.centaurhtp.com](http://www.centaurhtp.com) to find an authorized Centaur distributor near you.

2802 E. Avalon Ave.  
Muscle Shoals, AL 35661  
Phone (256) 248-2403 or (800) 348-7787  
Fax (256) 248-2418

## SAFETY FIRST

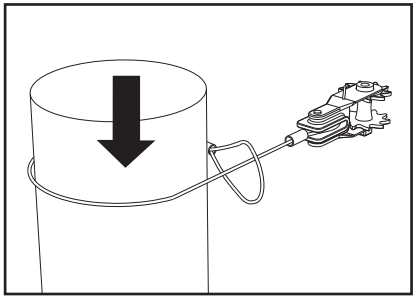


Always wear eye protection and gloves when installing any fencing products.

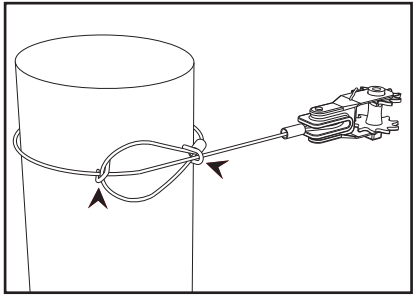
### 5 ATTACH FENCE TO TERMINATION POST:

#### 5a. To Attach Hot-Site:

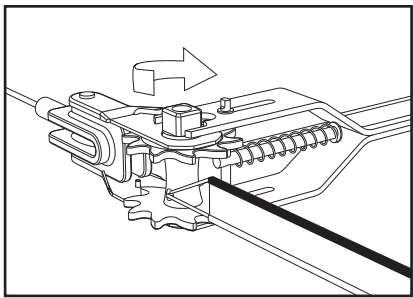
1. Using the Fencer's Lasso<sup>®</sup>, thread the white insulator through the pre-formed loop to form a large loop and slide large loop over the post and position at desired height.



2. Next, staple the Fencer's Lasso<sup>®</sup> at the desired height, using two staples as shown in the illustration below.

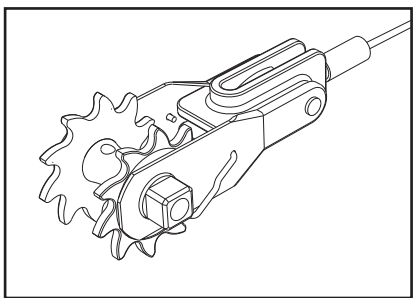


3. Strip approximately 2" of the polymer from the coated rail exposing both wires. Thread the wires through the hole in the tensioner spool and make one complete wrap around the spool in the same direction. Wind the wire a few turns around the spool using the tensioner handle.

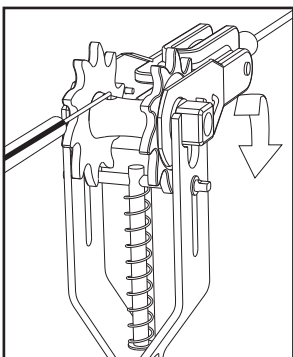


#### 5b. To Attach White Lightning:

1. Repeat Step 1 above for installing the Fencer's Lasso.
2. Orient tensioner as shown below.

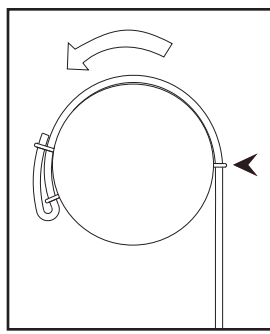


3. Strip approximately 2" - 4" of the polymer from the coated wire exposing the bare wire. Thread the wire through the hole in the tensioner spool and make one complete wrap around the spool in the same direction. Wind the wire a few turns around the spool using the tensioner handle.

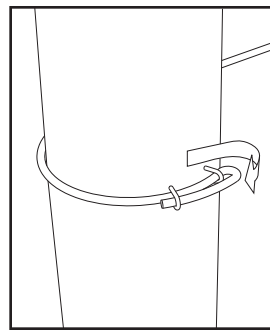


#### 5c. To Attach Polystrand HTP:

1. Polystrand<sup>®</sup> HTP<sup>®</sup> is a non-electric wire and can therefore be installed on one end with the END-Sulator Kit as illustrated in step 3 of 5b above and attaching the other end directly to a post as illustrated in the following images.



5A



5B

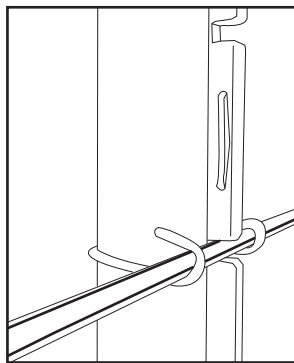
Wrap the Polystrand<sup>®</sup> HTP<sup>®</sup> around the post as shown in 5A and staple it to hold in place. Then, wrap the strand back as shown in 5B and drive staples in half way, cut off excess wire and hammer staples in tight.

### 6 INSTALL LINE POSTS & ATTACH BOTTOM STRAND:

1. Once bottom strand is tightened and straight, install line posts using bottom strand as a guide. Use 8', 10', or 12' spacing when installing line posts. It is recommended to use a steel T-post with a Safety Sleeve cover or a 4" minimum diameter wood post.

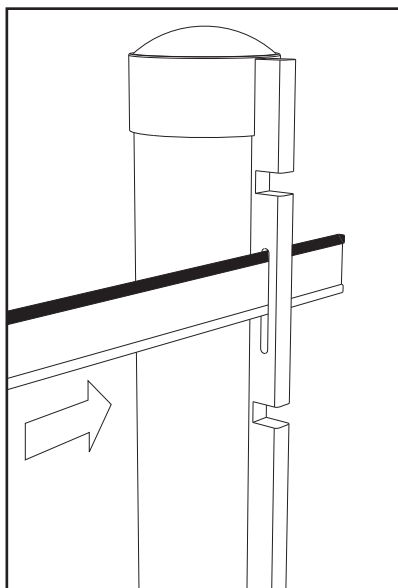
2. Attach bottom strand to line posts. When using Safety Sleeves, the Safety Sleeve Clip works best to attach single strand (illustrated below).

**NOTE:** When attaching Polystrand<sup>®</sup> HTP<sup>®</sup>, the strand can be attached directly to a wood post using a staple. **Do not drive staple in tight so that wire can move freely.**



### 7 UNROLL REMAINING STRANDS & ATTACH TO LINE POST:

1. When attaching Hot-Site<sup>®</sup> and White Lightning<sup>®</sup> to a post other than the Safety Sleeve, an insulator must be used if strand is electrified.
2. Unroll remaining strands, attach to corner posts, tighten and secure to line posts. It is better to install strand from the bottom up. Once one strand has been tensioned, it should be attached to the line post before the next strand is started to avoid getting wire twisted.
3. When installing the 1" Hot-Site<sup>®</sup>, thread the rail through the slot in the Safety Sleeve as it is unrolled (illustrated below).



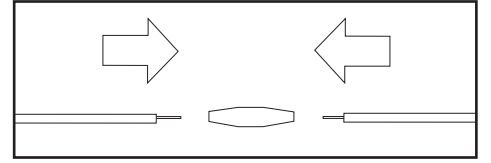
**NOTE:** When using Safety Sleeves on hilly terrain, a #10 sheet metal screw (or similar) may be screwed into the bottom of the sleeve to prevent the sleeve from sliding up and down after installed.

### 8 SPLICING STRANDS TOGETHER:

If it is necessary to splice strands together, follow the steps below to insure a reliable connection.

#### 8a. Splicing Polystrand and White Lightning:

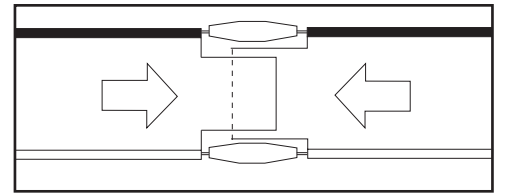
Strip 1" of polymer from the coated wire and insert bare wire into 12.5 gauge wire link. Repeat for other side. See below illustration.



#### 8b. Splicing Hot-Site:

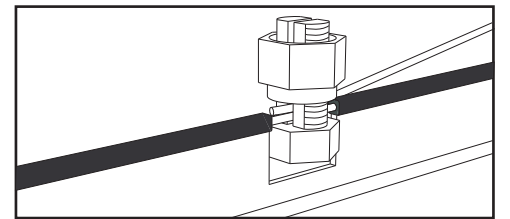
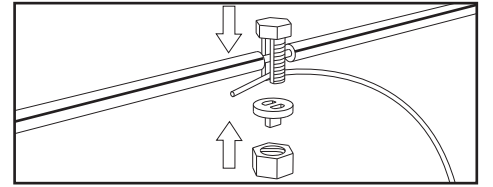
Strip 1" of polymer from the both wires. Leave 1- 3/4" of the center polymer strap for overlap. Insert the bare wire into 15 gauge wire link. Repeat on opposite end.

**NOTE:** Once wire is inserted into wire link it will not release.

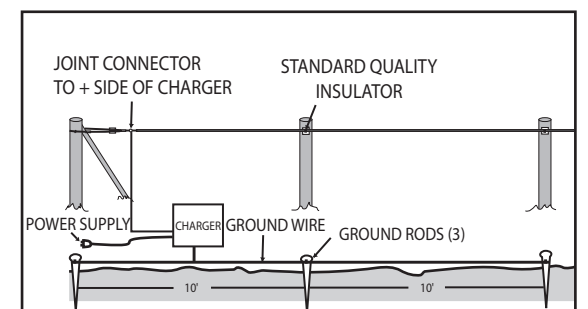


### 9 MAKE REQUIRED ELECTRICAL CONNECTIONS

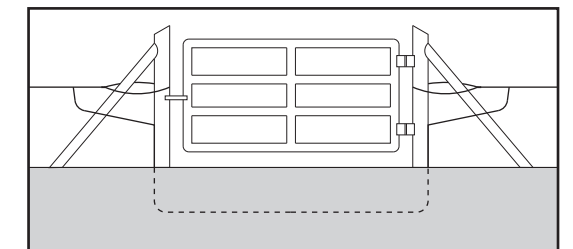
1. Use the Line-Tap Connector to connect strands to ground wire (illustrated below) for electrification. Underground cable should be used as an insulated wire to make connections. The Line-Tap Connector can also be used to connect wires when cross-fencing.



2. Bury the underground cable a minimum of 8"-12" under gates to carry power. See illustrations below.



**NOTE:** The ground rods must be driven 8-ft. deep into the soil in order to provide sufficient ground.



The above illustrations are offered with the understanding that your charger supplier may offer instructions unique to their product. Though we show methods generally used for grounding the charger, wiring across gates, and protecting against lightning strikes; we defer to the charger supplier suggestions if different from those offered here.

3. If gate is in a high traffic area it is advisable to bury the underground cable in a suitable plastic pipe for optimum protection. The above image shows the underground cable signified by a dotted line.

3. Follow the manufactures installation of the energizer of your choice.

**NOTE:** All energizers should work with Centaur electrified products, but an intermittent, AC, low-impedance energizer is preferred.