

STEP #1 POST SPACING - All Spacing will be Outside of Post to Outside of Post.

For Beam Width set Post 24" less than Beam Length

For Rafter Width set Post $18 \frac{3}{4}$ " less than Rafter Length.

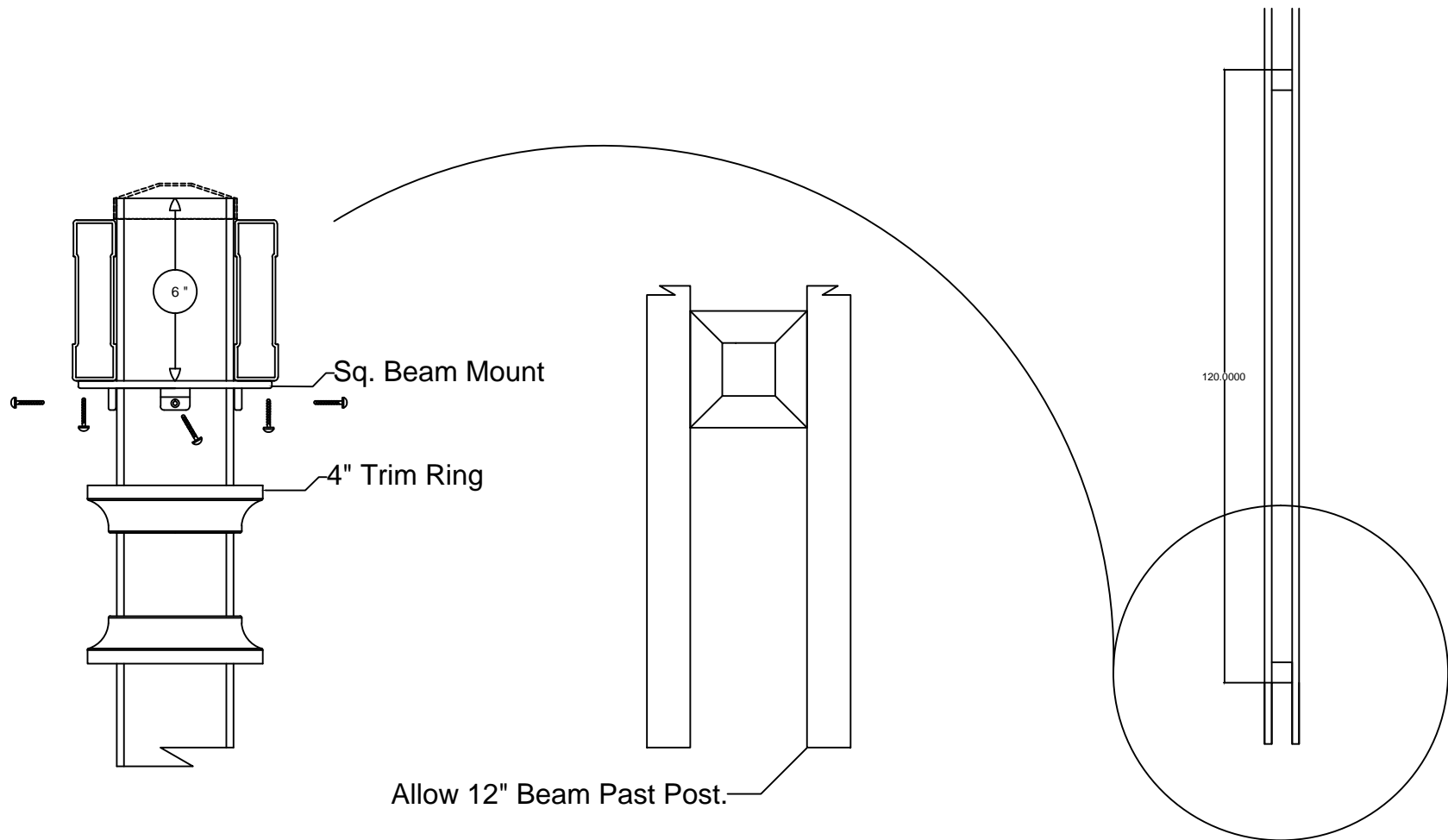
NOTE: You may adjust post spacing for desired overhangs

Example: 10' x 12' System

12' (beam side) set post 10' outside post to outside post.

10' (rafter side) set post $8' 5 \frac{1}{4}$ " outside post to outside post.

NOTE: For Surface Mounting Post applications, Post Mounts are available. Follow instructions packaged with mounts.

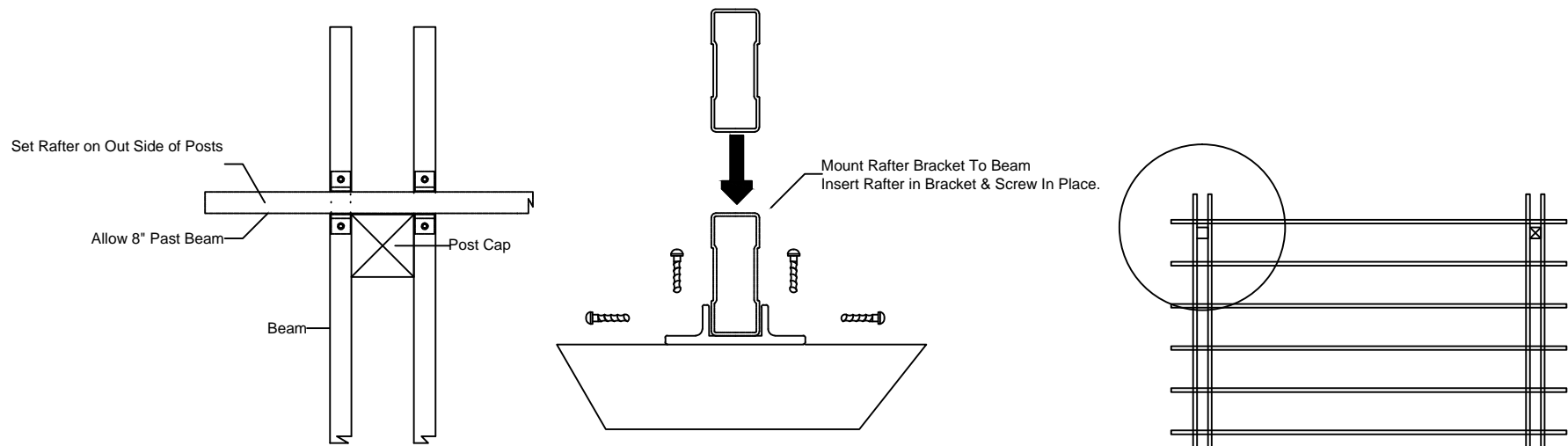


STEP #2 MOUNTING BEAMS

- a. Determine top of post are level.
- b. Slide Base Trim Ring over Post & set in place.
- c. Slide Beam Trim Ring over Post (in proper direction).
- d. Mark 6" down from top of post. Slide Square Beam Mount over post with screw flanges down. Align 6" Mark at top of beam mount. Square all sides of mount and screw in place (4 screws). Repeat process for all post.

ATTACHING BEAMS

- a. Set beams on mounting flange. Insert screws (4) through bottom of mount into bottom of beam.
- NOTE:** Make certain beam is tight against post. Repeat process for all beams.

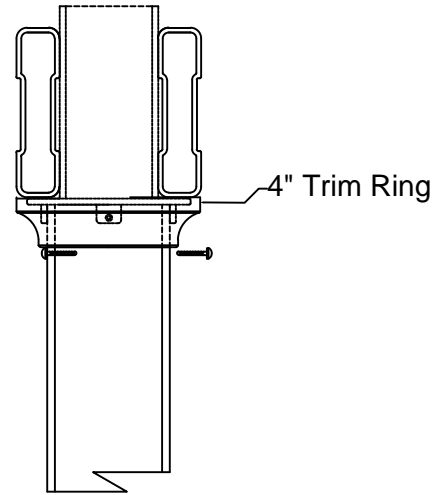
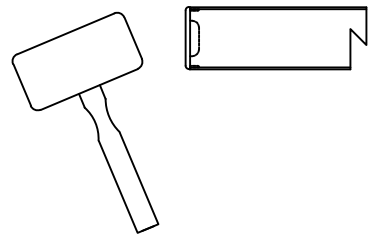
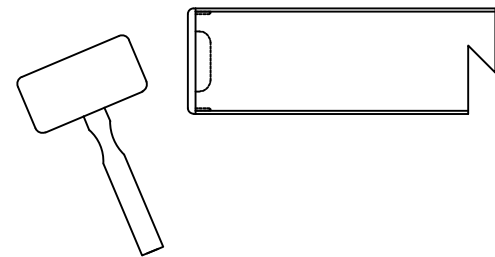
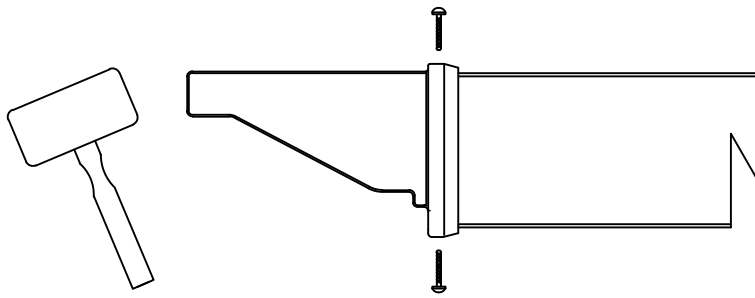


STEP #3 MOUNTING RAFTERS

- a. First Rafter will mount on the outside edge of the post (set post cap in place first).
- b. Install Rafter Bracket on top of all beams for first rafter using two (2) screws per bracket.
- c. Clamp the top of the beams against post. Install screws (2) through side of bracket into beam.
- d. Repeat the process on the other end of the rafter. Repeat this process at the other end of the beam.

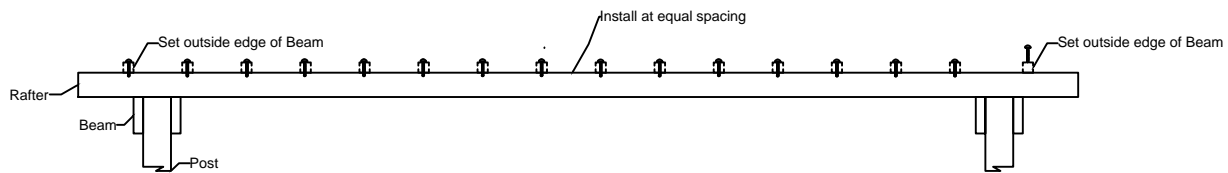
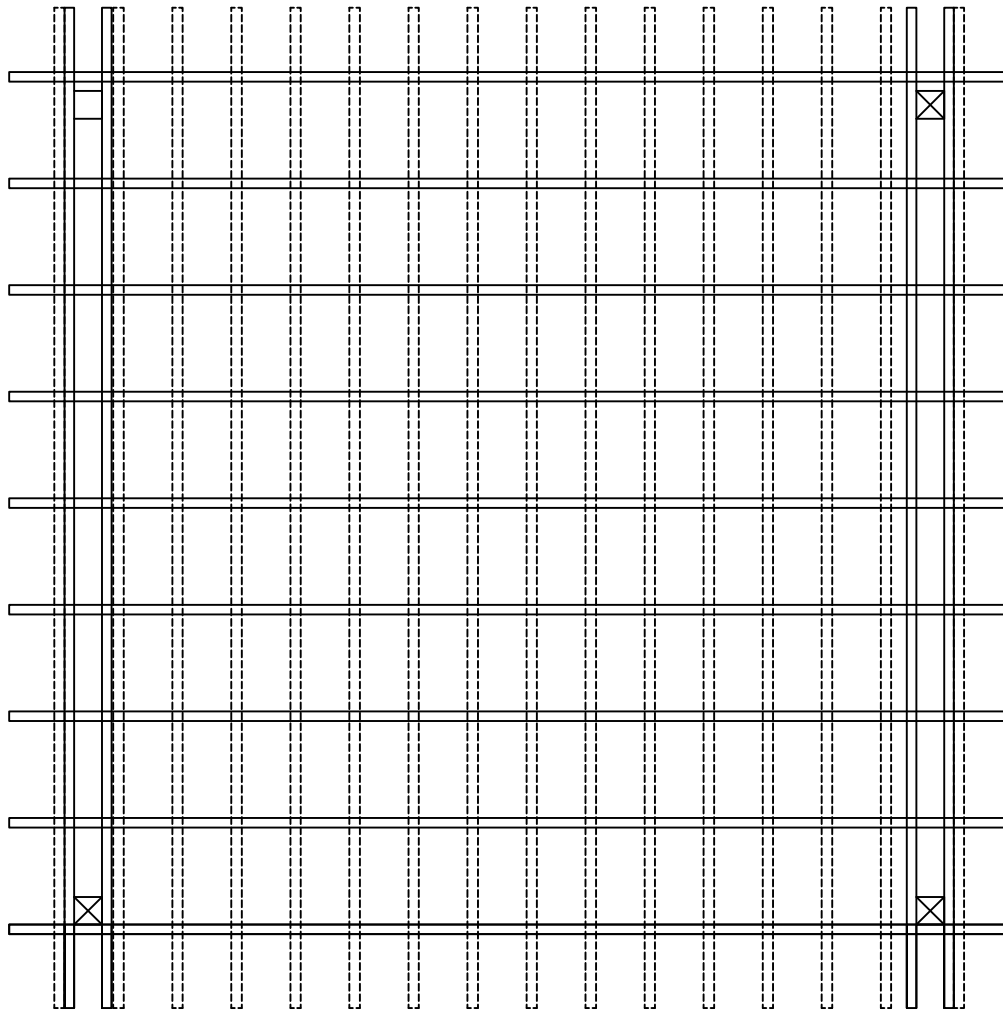
ATTACHING RAFTERS

- a. With the two (2) outside rafter set in place, set the balance of rafters in place (using the Rafter Bracket). Set all rafters at equal spacing.



STEP #4 TRIMMING

There are Two options to finishing the Beam & Rafter Ends. Pergola ends or Flat Caps
a. Pergola Ends - Seat Pergola Ends on end of rafters. Install screws in top and bottom.
c. Trim Rings - Slide top and bottom Trim Rings in place and install screws.



STEP #5 - INSTALLING SUN SCREEN

- a. Set two (2) outside $1\frac{1}{2}$ " square Sun Screen O.S. edge of Beam.
- b. Install Screw through $1\frac{1}{2}$ " square Sun Screen into center of Rafter.
- c. Space balance of Sun Screen at equal spacing.
- d. Install End Caps