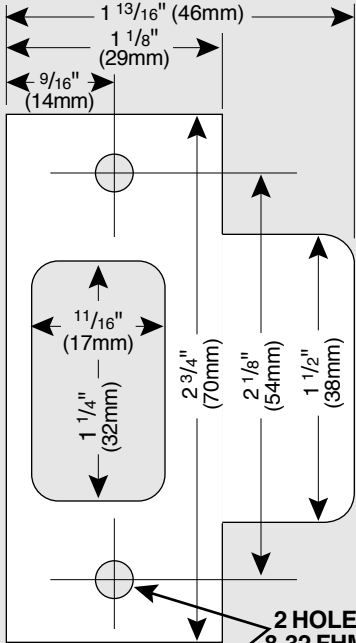
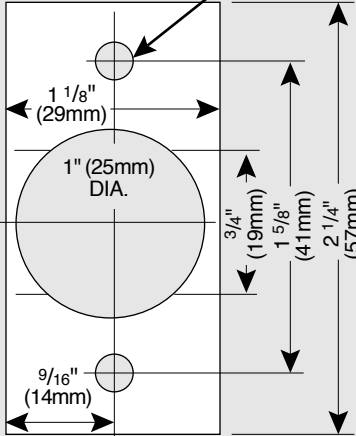


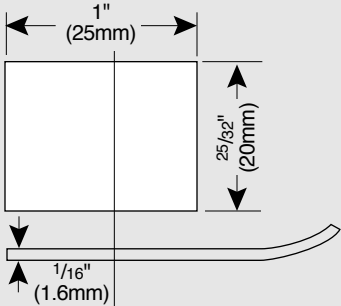
STRIKE



LATCH CUTOUT



STRIKE BOX



RIGHT HAND

CAUTION
APPLY TEMPLATE AND DRILL FROM OUTSIDE BUT COMPENSATE FOR DOOR BEVEL IF ANY.

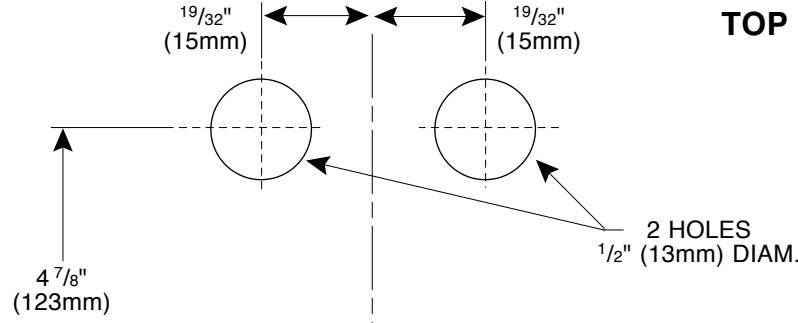
MARK CENTER OF DOOR THICKNESS

BORE 1" (25mm) DIAM. LATCH HOLE

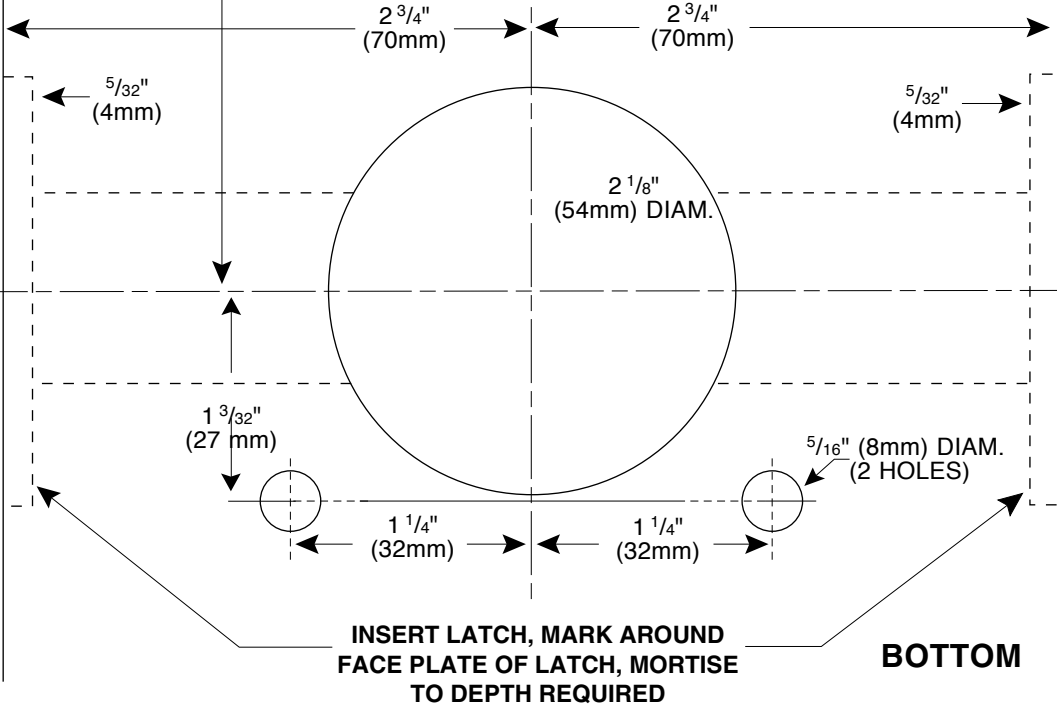
THIS FLAP FOLDS OVER THE EDGE OF THE DOOR

BE SURE THE FOLD IS EXACTLY ON THE LINE

CAUTION : MARK ACCURATELY - BORE STRAIGHT



**REFERENCE ONLY, NOT TO SCALE
DO NOT USE AS A DRILLING TEMPLATE
CONTACT CUSTOMER SUPPORT**



INSERT LATCH, MARK AROUND FACE PLATE OF LATCH, MORTISE TO DEPTH REQUIRED

BE SURE THE FOLD IS EXACTLY ON THE LINE

THIS FLAP FOLDS OVER THE EDGE OF THE DOOR

LEFT HAND

NOTE: Lock will accommodate doors 1 9/8" (35mm) to 2 1/4" (57mm) thick. Suitable reinforcement shall be provided by the hollow metal door manufacturer to prevent collapsing of door. When door silencers are to be installed, proper allowances must be made for strike location.

MARK CENTER OF DOOR THICKNESS

BORE 1" (25mm) DIAM. LATCH HOLE

BOTTOM