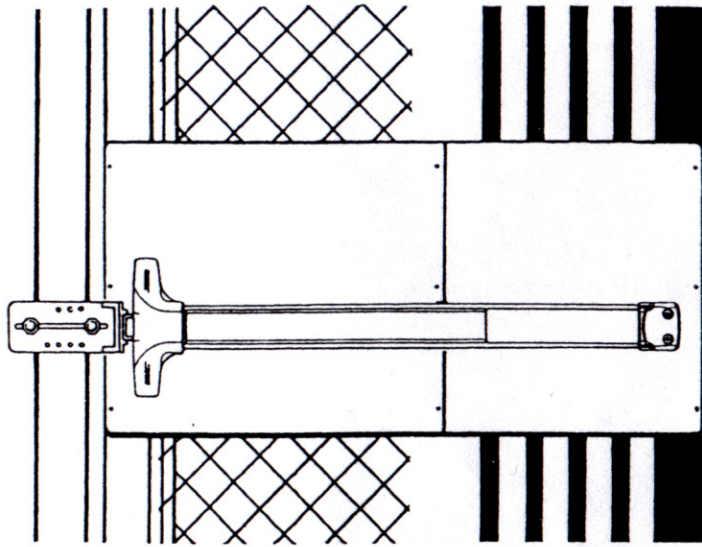
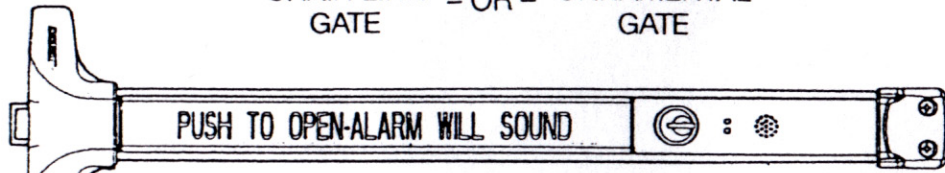
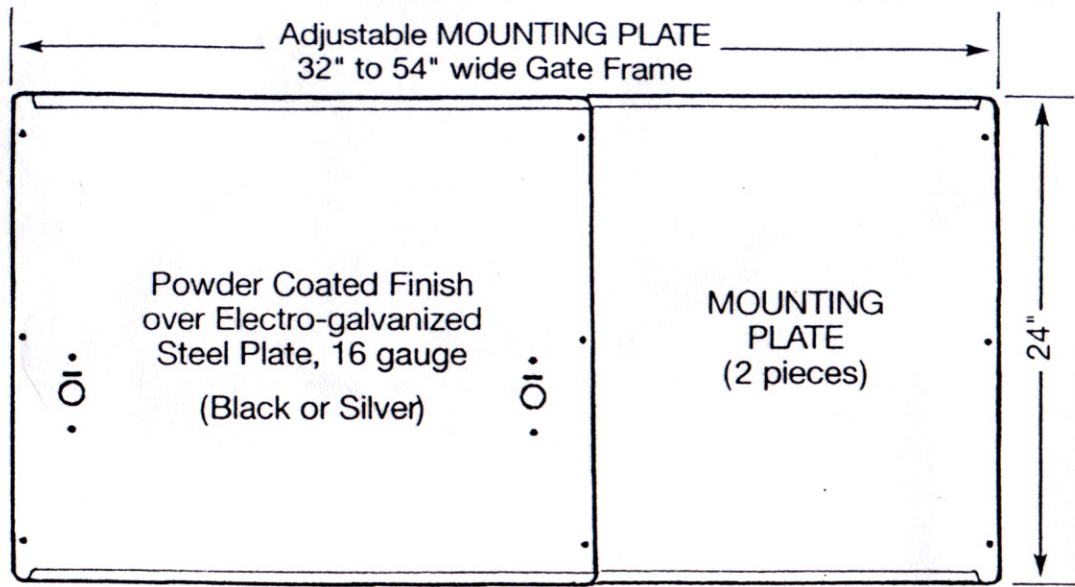


EXIT DOOR HARDWARE

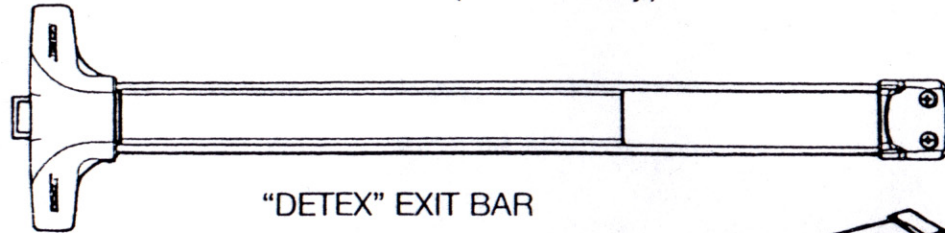


Stainless steel fasteners provided

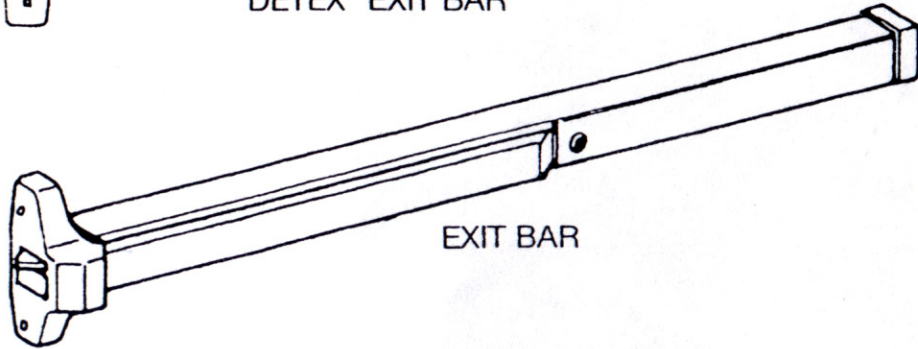
CHAIN LINK GATE - OR - ORNAMENTAL GATE



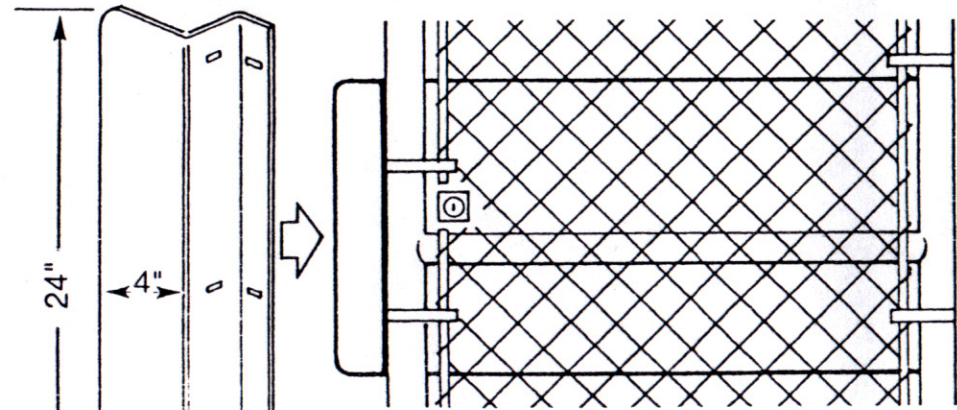
"DETEX" EXIT BAR with ALARM
(9 volt battery)



"DETEX" EXIT BAR



EXIT BAR



GUARD
(optional)
Black or Silver

