

"MANTA" VINYL GATE LATCH

REV. 03 08-31-09 BY: CGS

INSTALLATION, ADJUSTMENT AND MAINTENANCE INSTRUCTIONS

STEP 1 (Fig. 1) Locating Mounting Holes

- Mark **FRONT** of Gate Post with a horizontal line at the desired height of the Latch.
- Measure in 1.00" from the side of the Gate Post and make a vertical mark on the previous Latch centerline mark.
- Repeat on the **BACK SIDE** of the Gate Post.
- Using the center of the 2 marks, Drill a ϕ 5/8" hole thru **BOTH** sides of Gate Post.

TAKE CARE THAT THE HOLES ARE STRAIGHT AND LEVEL.

STEP 2 (Fig. 2 & Gate Size Chart - see below)

The MANTA VINYL GATE LATCH is designed to fit many different Gate Sizes. Pick out the Gate Size from the Chart shown below and determine the required size to trim the Lock Spindle and Spindle Tube.

IMPORTANT: AVOID BENDING LOCK SPINDLE DURING TRIMMING PROCESS

Trim the Spindle Tube 3/4" LONGER the Gate Size as determined from the Gate Size Chart.

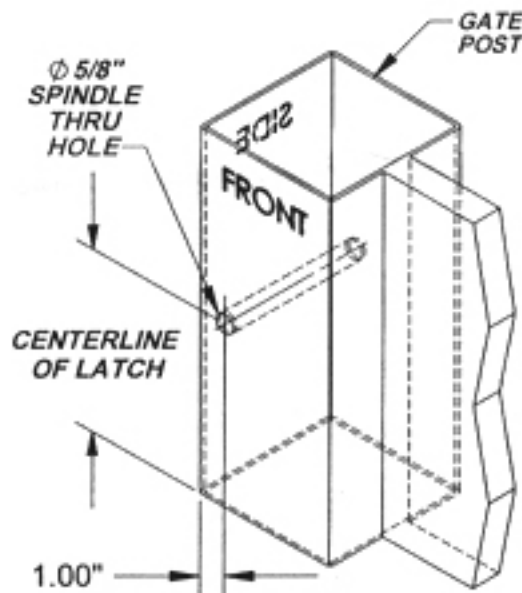


FIG. 1

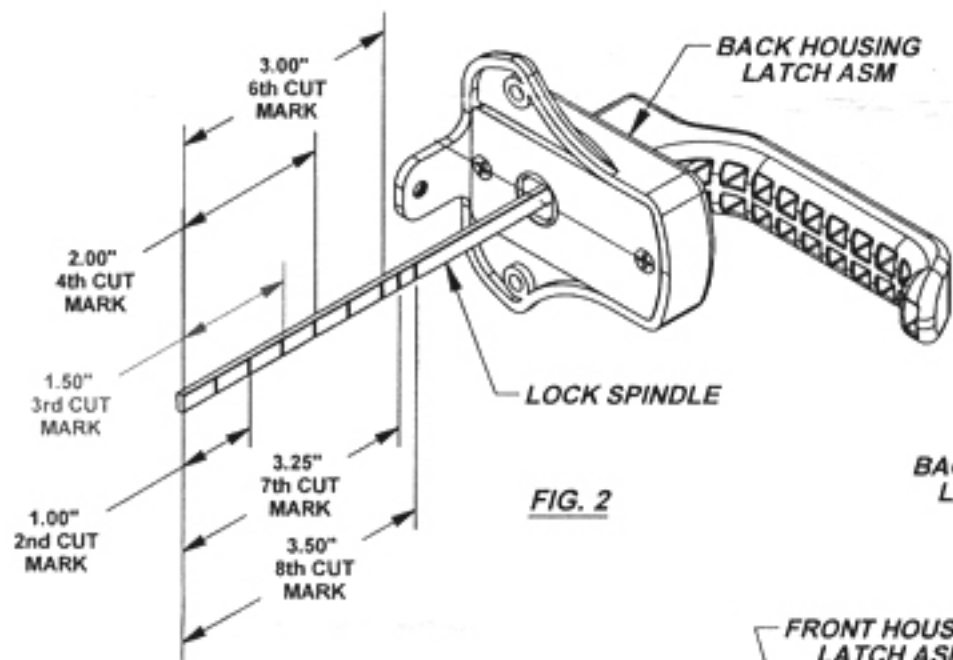


FIG. 2

GATE THK.	SPINDLE CUT LENGTH	SPINDLE TUBE LENGTH
1-1/2"	3.50" - 8th CUT MARK	2-1/4"
1-3/4"	3.25" - 7th CUT MARK	2-1/2"
2"	3.00" - 6th CUT MARK	2-3/4"
3"	2.00" - 4th CUT MARK	3-3/4"
3-1/2"	1.50" - 3rd CUT MARK	4-1/4"
4"	1.00" - 2nd CUT MARK	4-3/4"
5"	DO NOT CUT	DO NOT CUT

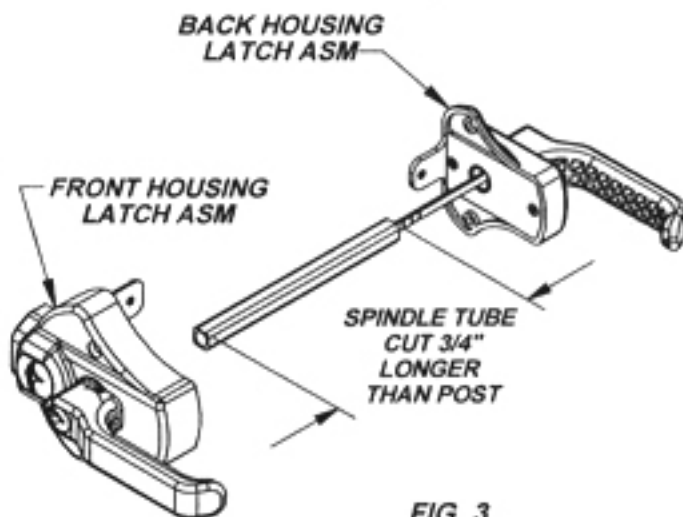


FIG. 3

"MANTA" VINYL GATE LATCH

REV. 03 08-31-09 BY: CGS

INSTALLATION, ADJUSTMENT AND MAINTENANCE INSTRUCTIONS

STEP 3

- Slide the Spindle Tube over the Lock Spindle and insert into the Back Housing Assembly approx 3/8" (Fig. 3)
- From the back side of the Gate, slide the Back House Assembly thru the ϕ 5/8" hole in the Gate. Assembly must sit flush on the front and side of the Gate. Mount Assembly using the supplied mounting screws.
- Note: The Spindle Tube should protrude approx 3/8" thru the opposite side of the Gate (Fig. 4) and the Lock Spindle should protrude slightly from the Spindle Tube

STEP 4

- Make sure the Front Housing Latch is in the LOCKED POSITION, rotate the Back Handle Lock Spindle CLOCKWISE until it stops. Mount the Front Housing Latch to front of the Gate. Align the Lock Spindle with the slot in the back of the Front Housing. The protruding 3/8" portion of the Spindle Tube should engage into the Latch. Latch must sit flush on the front and side of the Gate. Mount Assembly using the supplied mounting screws.

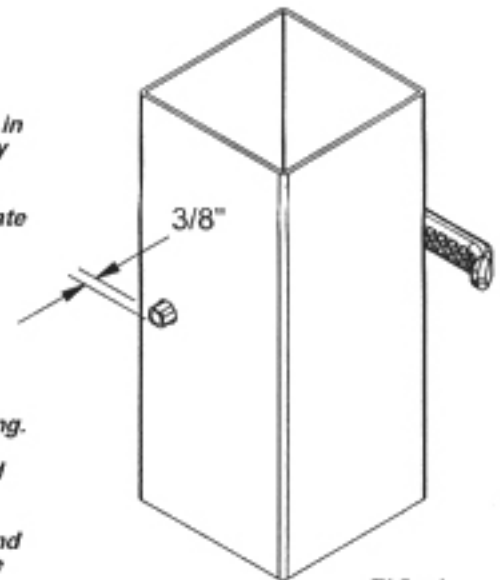


FIG. 4

To ensure proper installation, insert a key into the Front Housing Latch Assembly and turn. The key should turn 360 deg. and unlock the Latch. Removing the Key from the Front Latch, repeat same test with the Back Latch.

Do Not Perform Test with BOTH Keys inserted.

If a key does not turn 360 deg. or operate the lock, Remove the Front Housing Latch, turn the Lock Spindle 180 deg. until it stops and re-mount the Latch, and test.

- Actuate Handle to ensure a smooth operation.

STEP 5 (Fig. 6)

- Align the Keeper Assembly on the Fence Post with the centerline of the mounted Gate Latch Assembly. Engage the Keeper with the Latch by closing the Gate. Mark the location of the center of the Keeper Mounting holes. Mount Keeper Assembly using the supplied mounting screws.
- Close Gate to ensure the Latch is operating as intended. Once closed, the Latch should engage. Actuating the Handle should dis-engage the Latch. If the Latch does not engage, The Keeper should be adjusted accordingly.

To adjust the Keeper Assembly horizontally, Turn the Adjustment Screw as required. (Fig. 5)

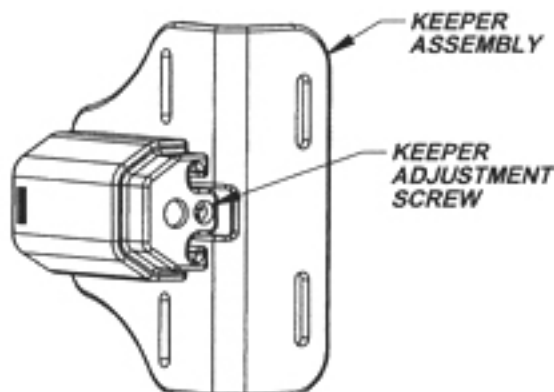


FIG. 5

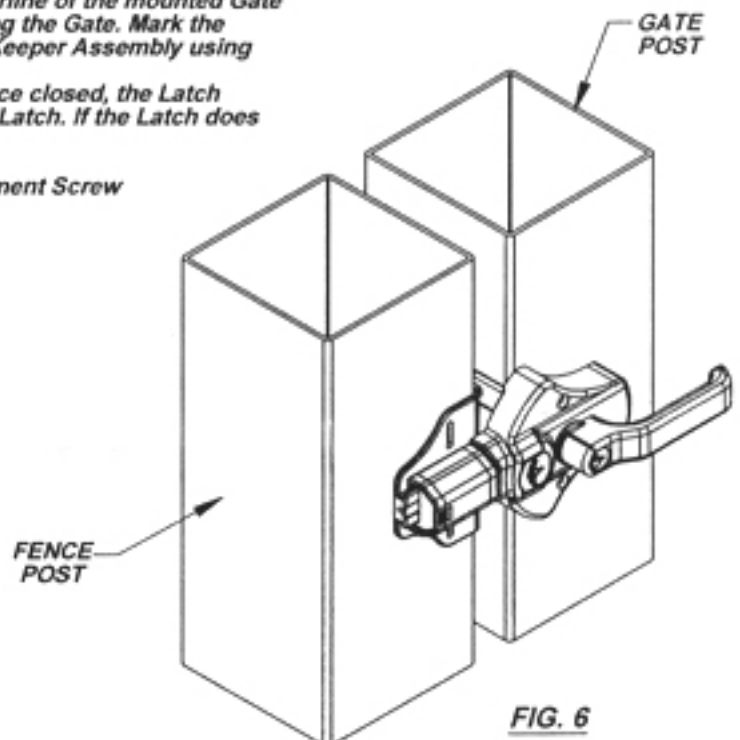


FIG. 6