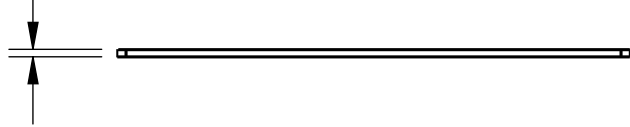
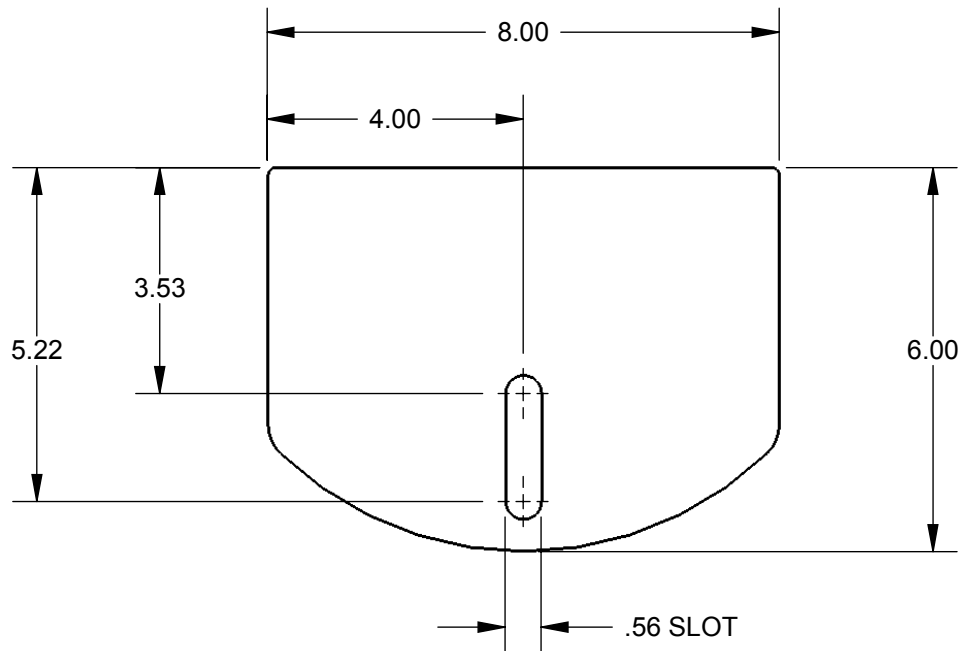
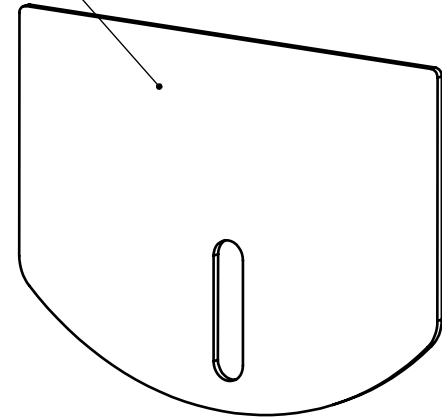


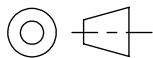
.12 THICKNESS



STEEL



UNLESS OTHERWISE SPECIFIED:
DIMENSIONS ARE IN INCHES



THIRD ANGLE PROJECTION

SHUT IT
PO BOX 5464
TUCSON, AZ 85703

Phone: 520-320-0680
Fax: 520-320-0681



TITLE:

6" HC CARRIAGE
PLATES

SIZE
A

DWG. NO.

C12160

REV
A

DATE

SCALE: 1:3

SHEET 1 OF 1

5

↑

4

3

2

1