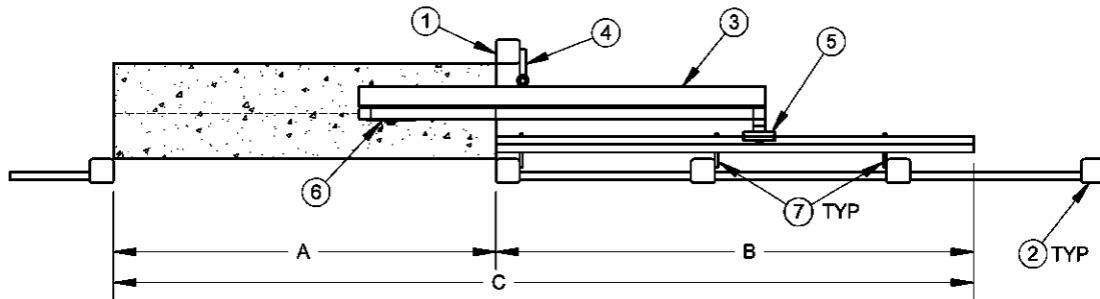


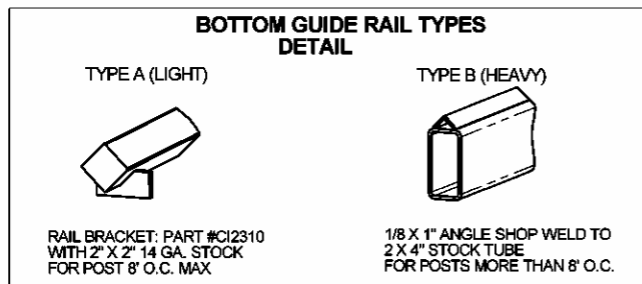
QUARTER CANTILEVER STYLE



1. A CEMENT THRESHOLD WITH ANGLE TRACK AT GATE OPENING
2. B MINIMUM 6" LONGER THAN A, LONGER FOR OPERATOR SYSTEMS
3. C CANNOT DEVIATE MORE THAN 1.5 INCHES VERTICALLY.

GATE SYSTEM SPECIFICATIONS:

- ① GUIDE POST
- ② FENCE POST
- ③ GATE WITH CONTINUOUS 2-1/2 X 2-1/2 X 3/16 GUIDE ANGLE
- ④ GUIDE ASSEMBLY, PART #CI2300
- ⑤ CANTILEVER WHEEL ASSEMBLY: ONE ON REAR OF GATE
4" FOR RESIDENTIAL, PART #CI2240
6" FOR COMMERCIAL, PART #CI2260
- ⑥ V WHEEL ASSEMBLY: ONE ON FRONT BOTTOM RAIL
4" FOR RESIDENTIAL, PART #CI2515, USE 1-1/2 X 3" BOTTOM RAIL
6" FOR COMMERCIAL, PART #CI2720, USE 2 X 4" BOTTOM RAIL
- ⑦ RAIL BRACKET PART #CI2310
FOR USE ON TYPE A RAIL (3/8 X 1-1/2 FLAT)

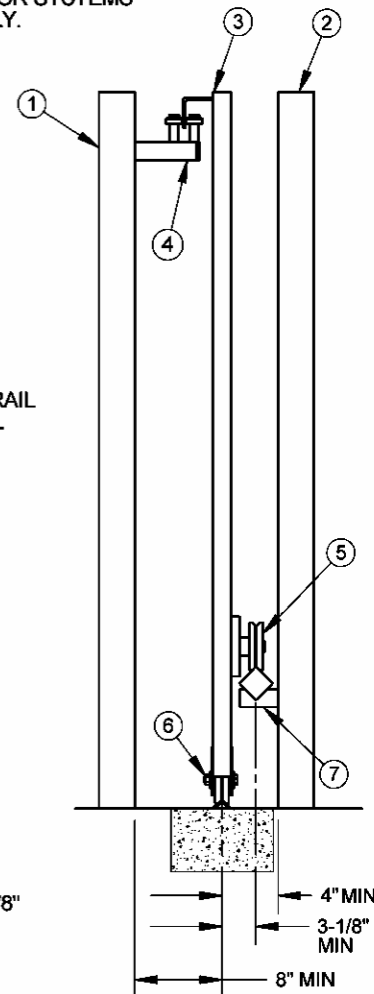


TYPICAL LAYOUT SHOWN AT RIGHT:

1. GUIDE POST TO CENTER OF V-TRACK = 8"
2. CENTER OF V-TRACK TO FENCE LINE POST = 4"
3. CENTER OF V-TRACK TO CENTER OF RAIL TRACK = 3-1/8"

NOTES:

* GATE WILL SLIDE WITH SAME EASE AS FULL THRESHOLD STYLE
USEFUL WHEN CONDITIONS ARE NOT PRACTICAL FOR FULL THRESHOLD



SHUT IT GATE HARDWARE
PO Box 5464
TUCSON, AZ 85703

PHONE: 520-320-0680
FAX: 520-320-0681
EMAIL: SALES@SHUTITGATEHARDWARE.COM

