

SS20[®]



Physical Dimensions and Strength Calculations SS-20 Pipe Sizes

Fence Industry O.D.	Decimal O.D. Equivalent		Pipe Wall Thickness		Weight		Minimum Yield Strength psi	Calculated Load (lbs.)		
	inches	(mm)	inches	(mm)	lb./ft.	(kg/m)		10' Free Supported	Cantilever	
								4'	6'	
1-3/8"	1.315	33.40	.080	2.03	1.056	1.57	50,000	150	-	-
1-5/8"*	1.660	42.16	.085	2.16	1.431	2.13	50,000	262	164	109
2"	1.900	48.26	.090	2.29	1.741	2.59	50,000	-	230	154
2-1/2"	2.375	60.33	.095	2.41	2.315	3.44	50,000	-	389	259
3"	2.875	73.03	.110	2.79	3.251	4.84	50,000	-	663	442

*Swaged end available in 21 ft. only.

SS-20 is available in standard lengths of 21' and 24'. Special lengths are available upon request.

Specifications, descriptions, and illustrated material are accurate as known at time of publication and are subject to change without notice.

Allied Tube & Conduit makes no warranties with respect to its products, whether expressed, written or implied, including any warranty of merchantability or of fitness for a particular purpose.

Call our Toll-free number for assistance.

1-800-882-5543

Visit our website at
www.alliedtube.com

Distributed By:



tyco
Electrical &
Metal Products



MEMBER



Allied Tube & Conduit
Fence Division
16100 South Lathrop Ave.
Harvey, Illinois 60426
(708) 339-1610 · (800) 882-5543
Fax (708) 339-2373
www.atcfence.com

S S 2 0[®]



MADE IN U.S.A.



SS-20[®] The Pipe

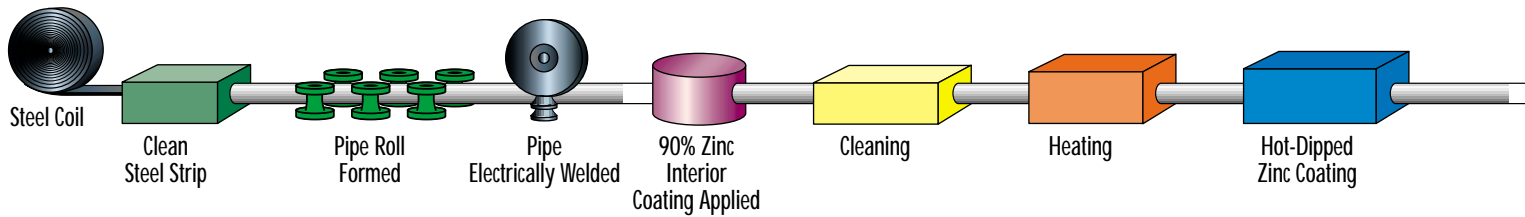
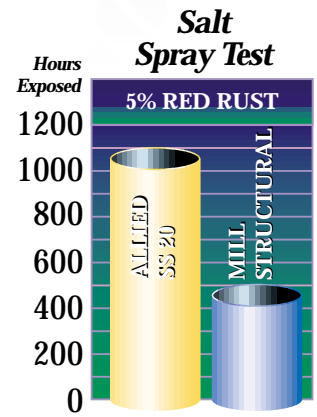
Allied's SS-20[®] was specifically designed and engineered for use in the industrial fence market. As the leading supplier of framework to the fence industry, Allied manufactures SS-20 with high tensile steel, and with our unique in-line continuous, FLO-COAT[®] process. SS-20 out-performs mill structural pipe both in strength and corrosion resistance.

Test Method	Element	Hours
ASTM B 117	Salt Fog	300
ASTM G 26	Weathering	500
ASTM D 4585	Humidity	500

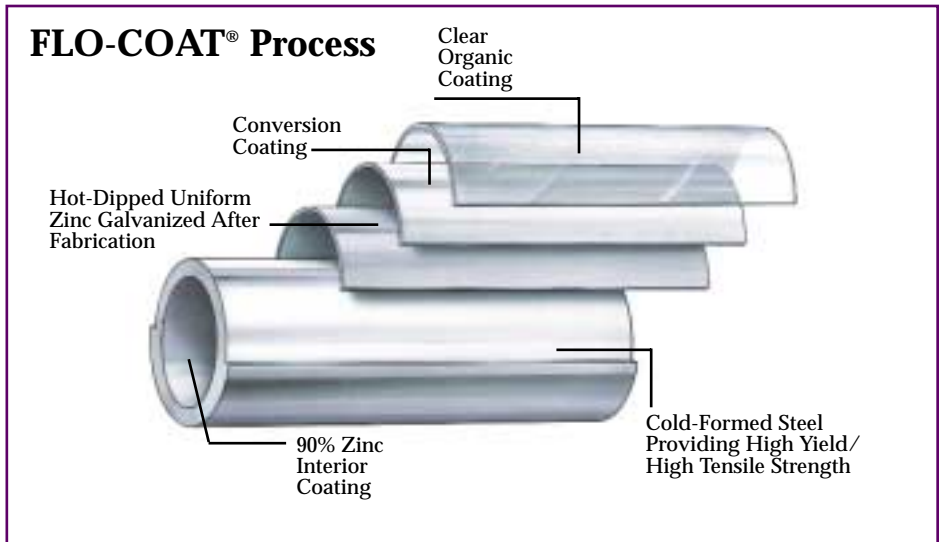
Superior Corrosion Resistance

A uniform application of zinc, conversion coating, and a clear organic top coat gives SS-20 a superior exterior finish. This carefully monitored triple coating results in a smooth, lustrous and durable surface that provides lasting corrosion resistance in all climates and under the most severe atmospheric conditions.

Laboratory tests conducted per ASTM test methods show that SS-20's zinc-rich interior coating provides superior corrosion protection.



"MADE IN USA" is proudly displayed on every length of SS-20, and Allied will certify that all SS-20 pipe is in compliance with applicable Federal, State and local specifications.



of Choice

Exceptional Strength

SS-20 is manufactured from high tensile steel meeting ASTM A 1011 and is cold-formed to a minimum of 50,000 psi yield strength, producing pipe of exceptional strength. Independent tests show that **SS-20** is 30% stronger and 20% lighter than mill structural pipe.

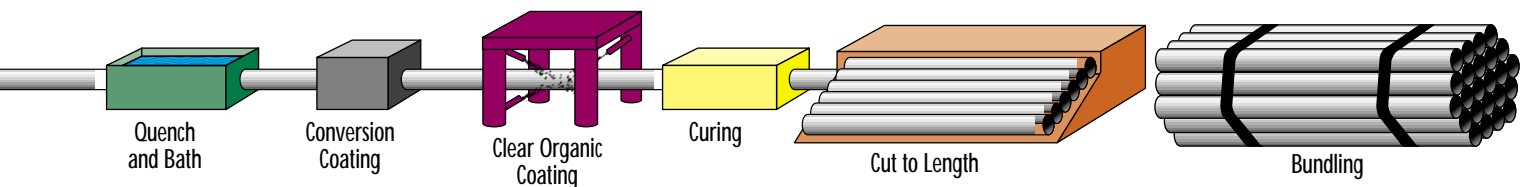
Fabrication

SS-20 is the obvious choice for industrial and commercial gate framework as well as a variety of specialty applications. Welding can be done without protective coatings crazing or flaking and there is less burnback at the weldments. Also, **SS-20's** light weight and superior strength aid in reducing stress on gate accessories (hinges, slide gate rollers, automatic operators, etc.)

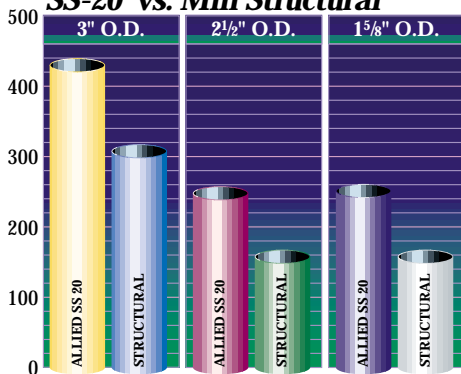
Applications

With a proven performance record, **SS-20** continues to be the pipe of choice. Typical applications include:

- Perimeter Security
- Sports Facilities
- Parks/Playgrounds
- Partitions
- Parking Lots
- Tool Cribs
- Industrial Gates
- Athletic Fields



Bending Strength Comparison SS-20 vs. Mill Structural



Bending Strengths for line, end, corner and pull posts shall be determined by the use of 6 foot cantilevered beam test. Top rail strength shall be determined by a 10 foot free-supported beam test.

Availability

Allied maintains a full inventory of standard lengths to insure fast delivery. If special lengths are required, ask about Allied's cut-to-length capabilities. Made-to-order lengths reduce fabrication time, eliminate wasteful drops and handling costs. Our nationwide distribution network and coast-to-coast shipping system supports the fence industry's inventory requirements.

Performance SS-20

Strength	33% Stronger
Durability (corrosion resistance)	Superior Coatings
Appearance	Smooth, bright finish
Weight Savings	15-20% lighter
Weldability	Less burnback
Ease of Fabrication	Coatings will not flake or craze
Value	The obvious choice