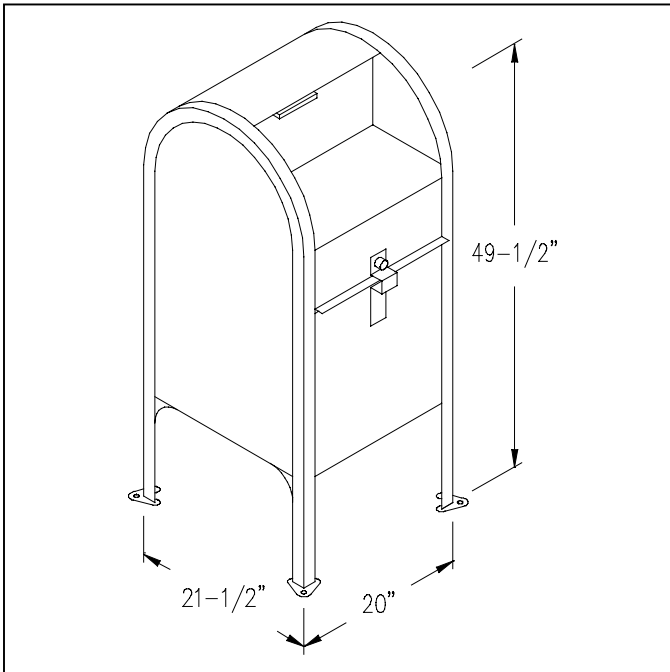


# Collection Boxes – 4900 Series

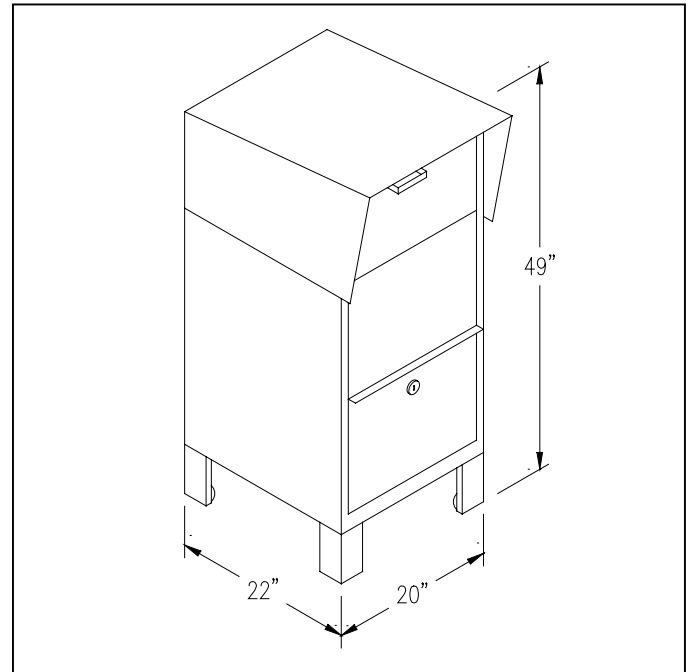
## Installation Instructions

Thank you for selecting 4900 series collection or courier box. The heavy-duty units are constructed of 16 gauge steel (4900) or 14 gauge steel (4975) and feature a durable powder coat finish. They provide the utmost in security and can withstand severe weather conditions. We are confident that the quality and construction of the collection boxes will prove to be a good investment. The units are fully assembled and ready to be installed. If the 4900 collection box is ordered with a snorkel, it is installed at the factory. No further assembly is required.

### Model 4900 Collection Box



### Model 4975 Courier Box



### Installation

Due to the various types of surfaces on which the collection and courier boxes might be ultimately mounted, there is no installation hardware included with the unit. Select and procure the bolts and anchors according to the type of surface, be it wood, cement, or another material. In certain applications, it may not be necessary or desirable to fasten the unit down. However, before this decision is made, carefully consider the security of the collection or courier box.

There is one 9/16" diameter hole in each of the four feet in both the 4900 collection box and the 4975 courier box to fasten the unit down to the surface on which it is placed. Lag screws with or without expansion anchors or bent anchor bolts (buried in concrete) with nuts may be used to fasten the units down, as an example. Suggested size is 3/8" diameter bolts.

A standard padlock (sold separately) is required for the 4900 collection box, while the 4975 courier box includes an integral three-point locking system with two keys provided.

### SALSBURY INDUSTRIES

1010 East 62<sup>nd</sup> Street, Los Angeles, CA 90001-1598  
Phone: 1-800-624-5269 Int'l Phone: 323-846-6700  
Fax: 1-800-624-5299 Int'l Fax: 323-846-6800  
www.mailboxes.com engineering@mailboxes.com