



SWIVEL BRACKET

#BB103-N

INSTALLATION INSTRUCTIONS

WARNING: For the swivel brackets to fit correctly, the posts must be set so that the space between them accurately matches the length of the panel with all brackets in place over the rail ends. To ensure that the space between the last picket and the post does not exceed the spacing between interior pickets, it may be necessary to trim the rail ends slightly when using the swivel bracket.

The Montage Swivel Bracket is designed for use where a panel and post intersect on an oblique angle. It can be angled up to 45° in either direction from a line coming straight off the face of the post.

Refer to Figure 1

Step 1 - Tighten the Phillips-Head Set Screw on the back of each bracket to set the desired angle (see Fig. 1).

Refer to Figure 2

Step 2 - Insert panel rail ends as deeply as possible into swivel brackets.

Step 3 - Position brackets flush on side of post at appropriate location and height.

(Note: The bottom of the panel may be shimmed with 2 x 4's, bricks, or other shim material to keep the panel at the correct height while brackets are fastened to post.)

Step 4 - Attach each swivel bracket, top rail first, with two (2) #14 x 3/4" self-drilling screws.

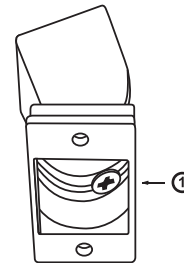


Figure 1

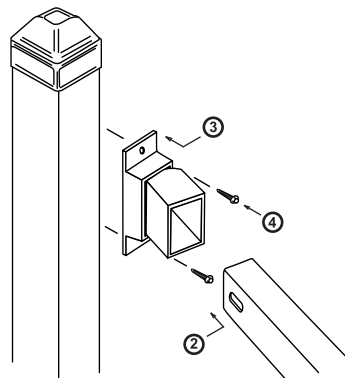


Figure 2

NOTE: Use Ameristar Custom Spray Finish to seal any abrasive marks caused by the installation procedure.



AMERISTAR®

1555 N. Mingo Road Tulsa, OK 74116
Phone 1-888-333-3422 Fax 1-918-835-0899
www.ameristarfence.com E-mail: mktg@ameristarfence.com

BB103-N

AMERISTAR FENCE PRODUCTS
MADE IN USA