

FENCE PARTS		
ITEM	QTY	NAME
1	31	R101 - 36" PICKET
2	2	2" ALUMINUM POST CAP
3	2	2" POST
4	3	72" - 31 HOLE RESIDENTIAL STRINGER

DATE	REV	DESCRIPTION	DATE	APPROVED
-	NC	INITIAL RELEASE		

D

C

B

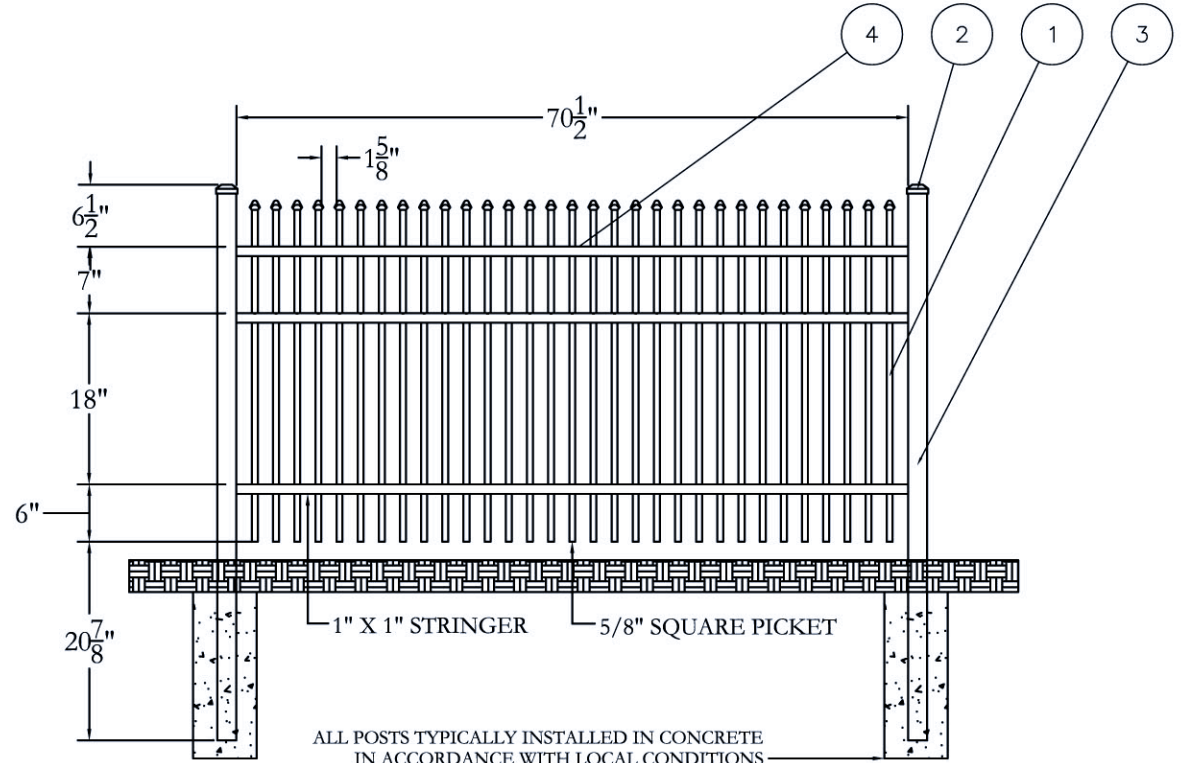
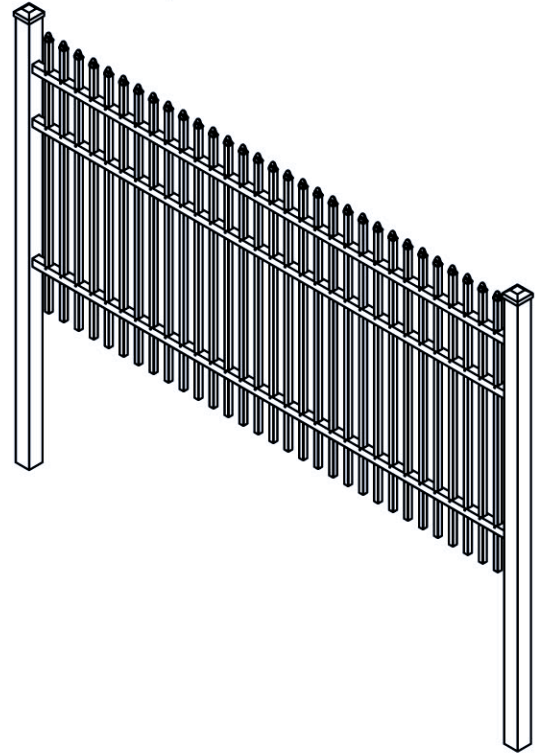
A

D

C

B

A



ALL POSTS TYPICALLY INSTALLED IN CONCRETE
IN ACCORDANCE WITH LOCAL CONDITIONS
AND STANDARD BUILDING PRACTICES

Jerith[®]
Manufacturing Co., Inc.
Philadelphia, PA 19154
(800)344-2242

DRAWING:
RESIDENTIAL FENCE
STYLE #401 - 36" HEIGHT

© 2005. This drawing may not be altered
or reproduced without the permission of
Jerith Manufacturing Co., Inc.

SIZE D	DWG NO. RS36U401SN	REV NC
SCALE	DATE 3-1-04	SHEET 1 OF 1