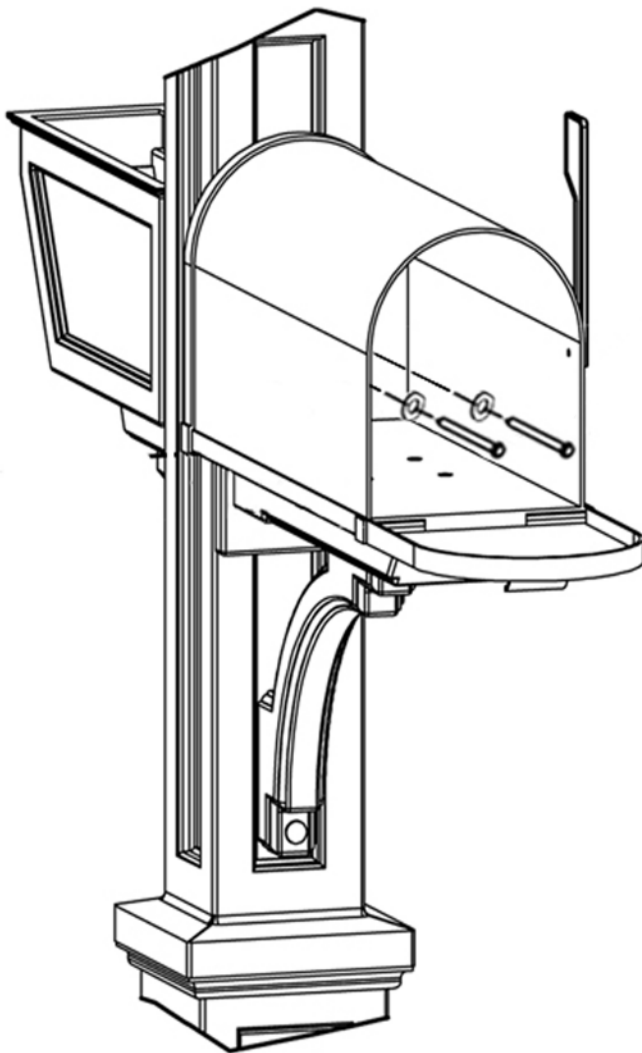


Mailbox Installation Instructions

Mailbox Installation Tips

Recommendations when installing heavier mailboxes:



Step 1:

Pre-drill two holes approximately 1.75" apart through the back of the mailbox.

Step 2:

Install the mailbox on the arm using a mounting board or bracket assembly.

Step 3:

Secure two 3" stainless steel screws with washers through the back of the mailbox directly into the post.