

Independent test results meet or exceed ICC AC174 June 2009 requirements.

# Post Mount Installation Instructions

## 8400 Series for 4" Designed or 4" Square Post 8436G

Note: Because codes vary from one region to another, you must consult your local building codes to determine acceptable post placement and railing height.

### Components:

- (1) Post Mount
- (1) 4" Leveling plate
- (4) 3/8" x 1/2" Set Screws
- (1) Vinyl Stabilizers

### Site Preparation

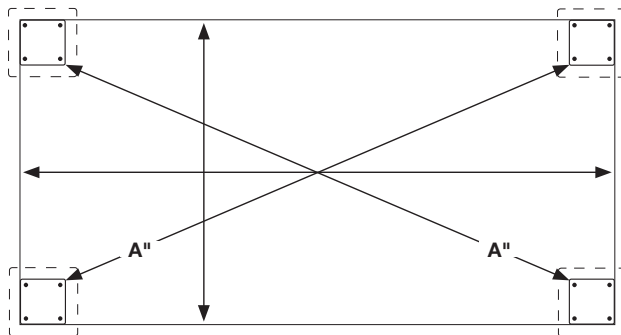
Site preparation for the 4" post should include insuring that the layout is square. Begin by creating a rectangle with the sides parallel to each other.

Square can be determined by measuring from one corner of the layout to the other. These measurements should be the same  $A = A$  in diagram. If they are not, adjust the layout until they are.

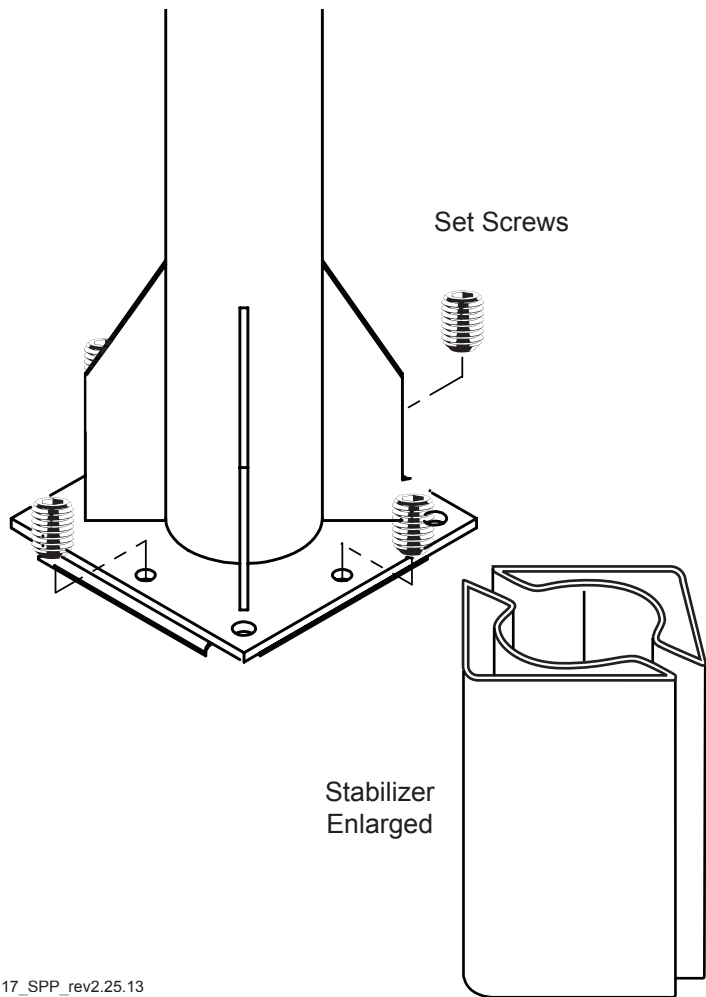
Place the mounts in line with each other.

Posts should rest on concrete that is 4" thick or more. Surface needs to be flat and the layout square. Concrete should be at least 4000 psi.

Use a chalk line to position the brackets before marking the location of the securing bolts prior to pre-drilling the holes.



Stabilizer (Vinyl)



### Mount Installation

With your installation layout determined and post positions marked, place post mounts and mark concrete screw locations (one in each corner of mount).

Remove the post mount and using a 1/4" masonry bit drill a hole that is deeper than the length of the bolt.

Position the post mounts on top of the leveling plates and in line with your predrilled holes then use the T-40 Starhead Torx drive bit (provided) tighten the 3/2" concrete screws.

Thread the four leveling bolts into the post mount base and, using a level, adjust the leveling bolts until the post mount is plumb.

Fully tighten the concrete screws.

Slide vinyl post over post mount. In order to meet code you **MUST** insert vinyl stabilizers inside post for added strength.

**NOTE!**  
Post Trim required at bottom of post

