

**Premium
Free Standing
Vinyl Pergola Kits
& Components**



8' x 12' Vinyl Pergola Kit

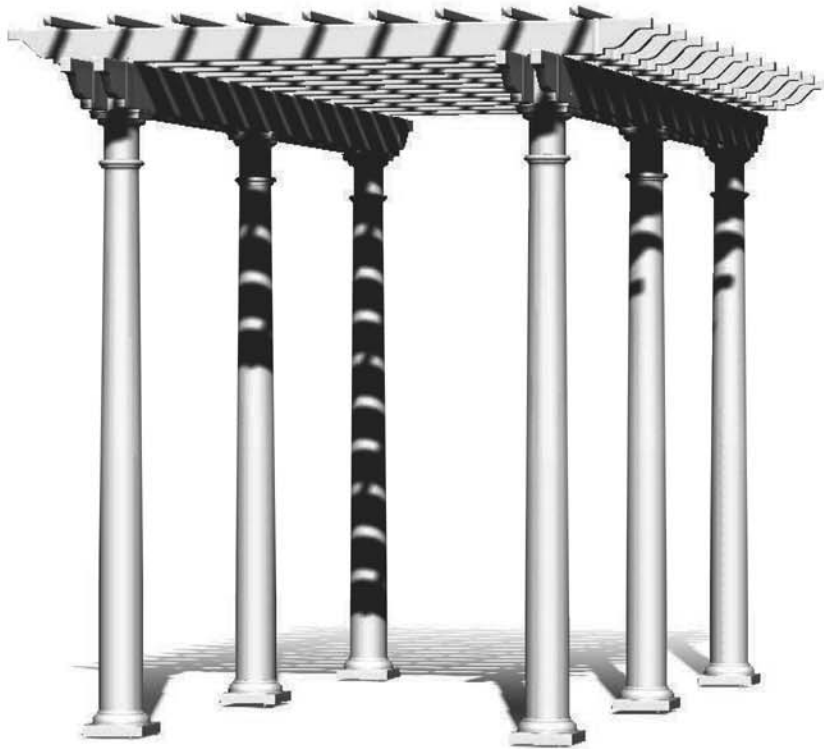


8' x 12' Pergola Kit consists of:

*8" x 90" Tapered Pergola Columns	4
*8" Rd. Tapered Column Trim Sets	4
*8" Rd. Column Beam Mount Assemblies	4
*8" Rd. Tapered Column Mount	4
2" x 6" x 8' Hollow Rafters	10
2" x 6" x 8' Alum. Rafter Supports	10
2" x 6" Pergola Ends	20
2" x 8" x 12' Hollow Beams	4
2" x 8" x 12' Alum. Beam Supports	4
2" x 8" Pergola Ends	8
2" Alum. Rafter Brackets	40
Packs of 25 - #8 x 1" Screws (for Rafter Brackets)	7
1 1/2" Sq. x 13' Shade Covers	9
1 1/2" Sq. Shade Cover Caps	18
Packs of 25 - #8 x 2" Screws (for Shade Covers)	4

**Black kits substitute the Tapered Columns with 8" Straight Rd. Columns*

8' x 16' Vinyl Pergola Kit

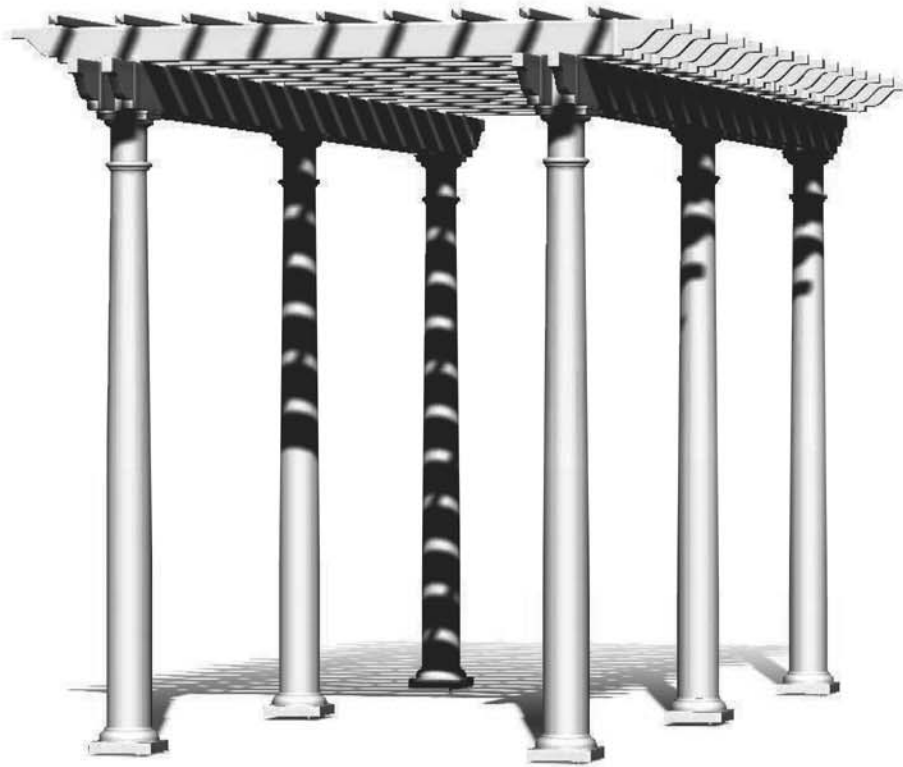


8' x 16' Pergola Kit consists of:

*8" x 90" Tapered Pergola Columns	6
*8" Rd. Tapered Column Trim Sets	6
*8" Rd. Column Beam Mount Assemblies	6
*8" Rd. Tapered Column Mount.	6
2" x 6" x 8' Hollow Rafters	13
2" x 6" x 8' Alum. Rafter Supports	13
2" x 6" Pergola Ends	26
2" x 8" x 16' Hollow Beams	4
2" x 8" x 16' Alum. Beam Supports	4
2" x 8" Pergola Ends	8
2" Alum. Rafter Brackets	52
Packs of 25 - #8 x 1" Screws (for Rafter Brackets).	9
1 1/2" Sq. x 9' Shade Covers	18
1 1/2" Sq. Shade Cover Caps	18
Packs of 25 - #8 x 2" Screws (for Shade Covers)	5

**Black kits substitute the Tapered Columns with 8" Straight Rd. Columns*

8' x 20' Vinyl Pergola Kit



8' x 20' Pergola Kit consists of:

*8" x 90" Tapered Pergola Columns	6
*8" Rd. Tapered Column Trim Sets	6
*8" Rd. Column Beam Mount Assemblies	6
*8" Rd. Tapered Column Mount	6
2" x 6" x 8' Hollow Rafters	16
2" x 6" x 8' Alum. Rafter Supports	16
2" x 6" Pergola Ends	32
2" x 8" x 20' Hollow Beams	4
2" x 8" x 20' Alum. Beam Supports	4
2" x 8" Pergola Ends	8
2" Alum. Rafter Brackets	64
Packs of 25 - #8 x 1" Screws (for Rafter Brackets)	11
1 1/2" Sq. x 11' Shade Covers	18
1 1/2" Sq. Shade Cover Caps	18
Packs of 25 - #8 x 2" Screws (for Shade Covers)	6

**Black kits substitute the Tapered Columns with 8" Straight Rd. Columns*

10' x 10' Vinyl Pergola Kit

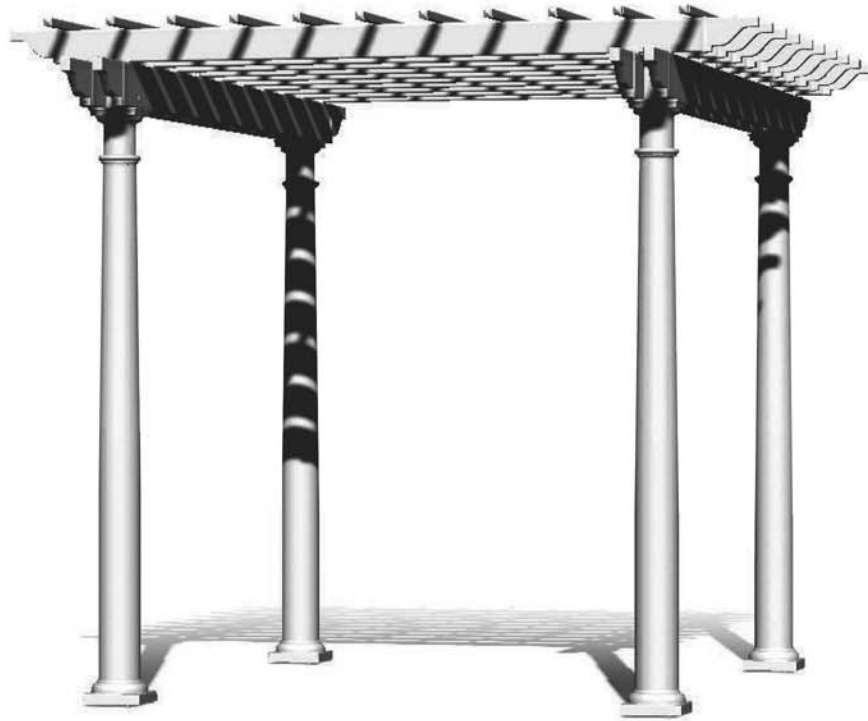


10' x 10' Pergola Kit consists of:

*8" x 90" Tapered Pergola Columns	4
*8" Rd. Tapered Column Trim Sets	4
*8" Rd. Column Beam Mount Assemblies	4
*8" Rd. Tapered Column Mount	4
2" x 6" x 10' Hollow Rafters	9
2" x 6" x 10' Alum. Rafter Supports	9
2" x 6" Pergola Ends	18
2" x 8" x 10' Hollow Beams	4
2" x 8" x 10' Alum. Beam Supports	4
2" x 8" Pergola Ends	8
2" Alum. Rafter Brackets	36
Packs of 25 - #8 x 1" Screws (for Rafter Brackets)	6
1 1/2" Sq. x 11' Shade Covers	11
1 1/2" Sq. Shade Cover Caps	22
Packs of 25 - #8 x 2" Screws (for Shade Covers)	4

**Black kits substitute the Tapered Columns with 8" Straight Rd. Columns*

10' x 12' Vinyl Pergola Kit

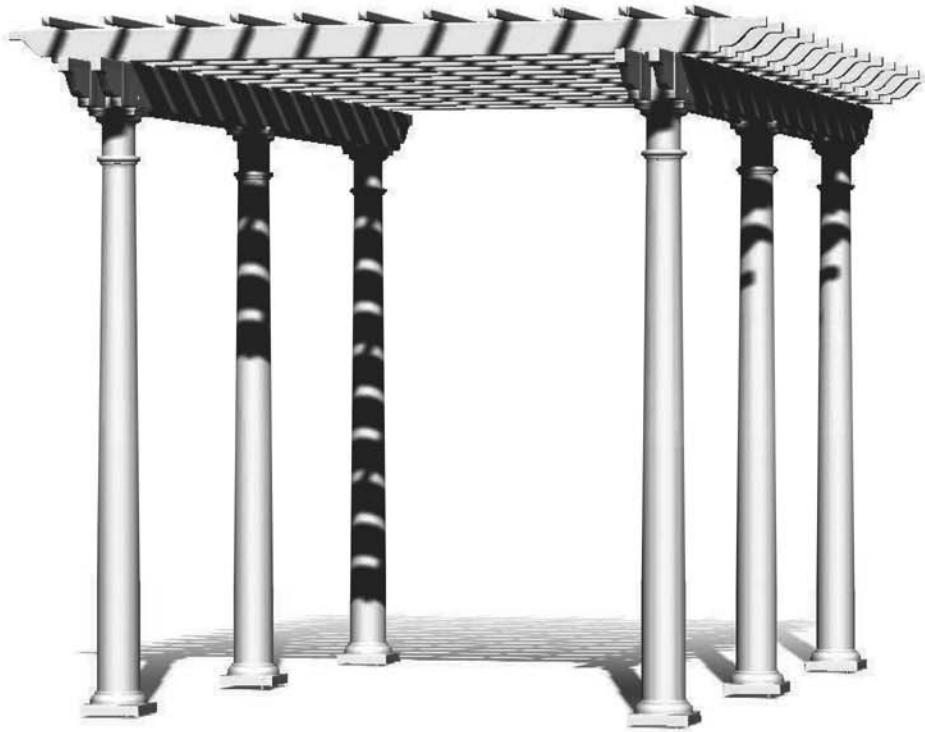


10' x 12' Pergola Kit consists of:

*8" x 90" Tapered Pergola Columns	4
*8" Rd. Tapered Column Trim Sets	4
*8" Rd. Column Beam Mount Assemblies	4
*8" Rd. Tapered Column Mount.	4
2" x 6" x 10' Hollow Rafters	10
2" x 6" x 10' Alum. Rafter Supports	10
2" x 6" Pergola Ends	20
2" x 8" x 12' Hollow Beams	4
2" x 8" x 12' Alum. Beam Supports	4
2" x 8" Pergola Ends	8
2" Alum. Rafter Brackets	40
Packs of 25 - #8 x 1" Screws (for Rafter Brackets).	7
1 1/2" Sq. x 13' Shade Covers	11
1 1/2" Sq. Shade Cover Caps	22
Packs of 25 - #8 x 2" Screws (for Shade Covers)	5

**Black kits substitute the Tapered Columns with 8" Straight Rd. Columns*

10' x 16' Vinyl Pergola Kit



10' x 16' Pergola Kit consists of:

*8" x 90" Tapered Pergola Columns	6
*8" Rd. Tapered Column Trim Sets	6
*8" Rd. Column Beam Mount Assemblies	6
*8" Rd. Tapered Column Mount	6
2" x 6" x 10' Hollow Rafters	13
2" x 6" x 10' Alum. Rafter Supports	13
2" x 6" Pergola Ends	26
2" x 8" x 16' Hollow Beams	4
2" x 8" x 16' Alum. Beam Supports	4
2" x 8" Pergola Ends	8
2" Alum. Rafter Brackets	52
Packs of 25 - #8 x 1" Screws (for Rafter Brackets)	9
1 1/2" Sq. x 9' Shade Covers	22
1 1/2" Sq. Shade Cover Caps	22
Packs of 25 - #8 x 2" Screws (for Shade Covers)	6

**Black kits substitute the Tapered Columns with 8" Straight Rd. Columns*

10' x 20' Vinyl Pergola Kit



10' x 20' Pergola Kit consists of:

*8" x 90" Tapered Pergola Columns	6
*8" Rd. Tapered Column Trim Sets	6
*8" Rd. Column Beam Mount Assemblies	6
*8" Rd. Tapered Column Mount.	6
2" x 6" x 10' Hollow Rafters	16
2" x 6" x 10' Alum. Rafter Supports	16
2" x 6" Pergola Ends	32
2" x 8" x 20' Hollow Beams	4
2" x 8" x 20' Alum. Beam Supports	4
2" x 8" Pergola Ends	8
2" Alum. Rafter Brackets	64
Packs of 25 - #8 x 1" Screws (for Rafter Brackets).	11
1 1/2" Sq. x 11' Shade Covers.	22
1 1/2" Sq. Shade Cover Caps	22
Packs of 25 - #8 x 2" Screws (for Shade Covers)	8

**Black kits substitute the Tapered Columns with 8" Straight Rd. Columns*

12' x 12' Vinyl Pergola Kit

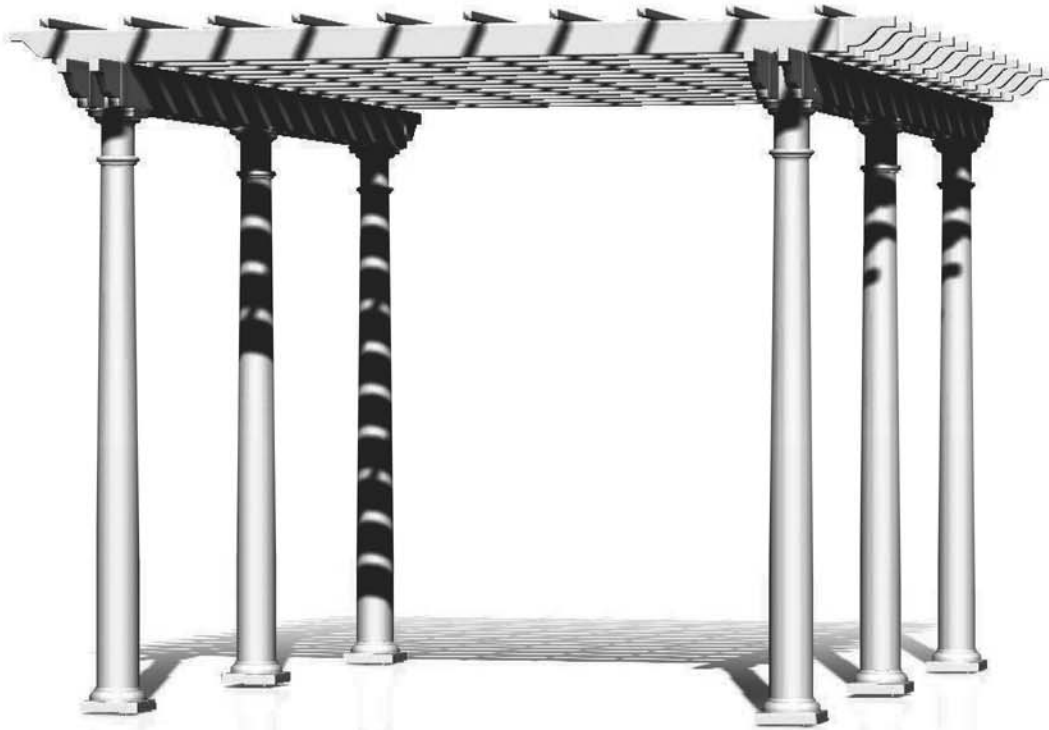


12' x 12' Pergola Kit consists of:

*8" x 90" Tapered Pergola Columns	4
*8" Rd. Tapered Column Trim Sets	4
*8" Rd. Column Beam Mount Assemblies	4
*8" Rd. Tapered Column Mount.	4
2" x 6" x 12' Hollow Rafters	10
2" x 6" x 12' Alum. Rafter Supports	10
2" x 6" Pergola Ends	20
2" x 8" x 12' Hollow Beams	4
2" x 8" x 12' Alum. Beam Supports	4
2" x 8" Pergola Ends	8
2" Alum. Rafter Brackets	40
Packs of 25 - #8 x 1" Screws (for Rafter Brackets).	7
1 1/2" Sq. x 13' Shade Covers	13
1 1/2" Sq. Shade Cover Caps	26
Packs of 25 - #8 x 2" Screws (for Shade Covers)	6

**Black kits substitute the Tapered Columns with 8" Straight Rd. Columns*

12' x 16' Vinyl Pergola Kit

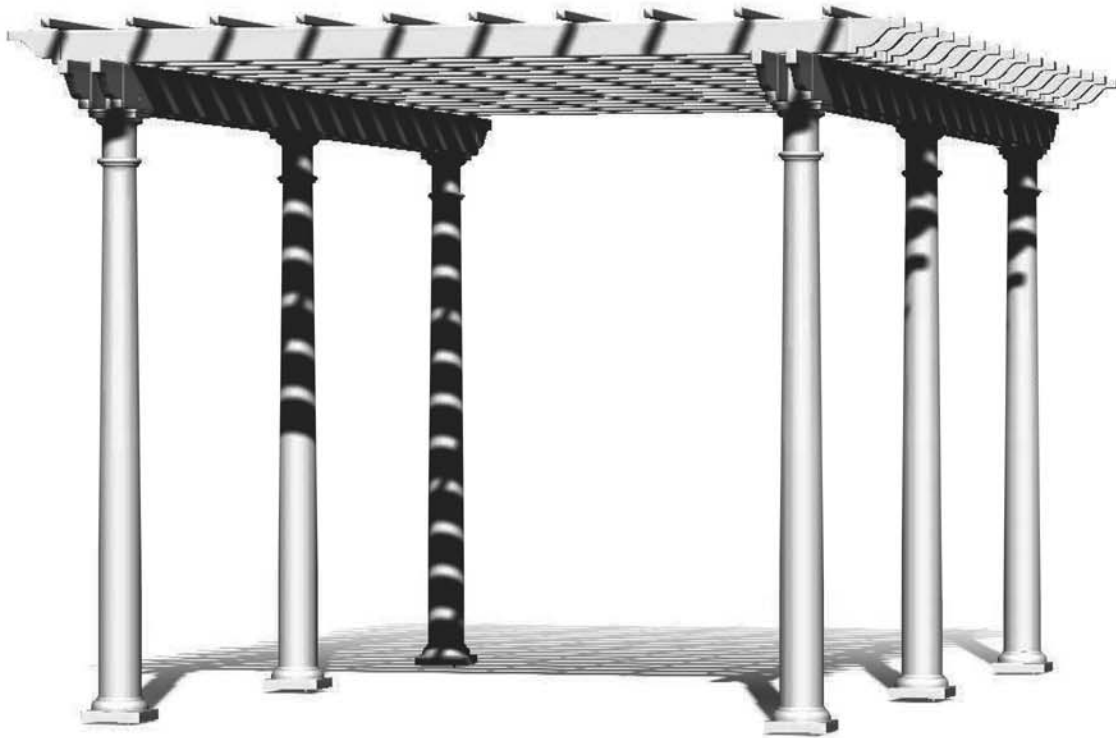


12' x 16' Pergola Kit consists of:

*8" x 90" Tapered Pergola Columns	6
*8" Rd. Tapered Column Trim Sets	6
*8" Rd. Column Beam Mount Assemblies	6
*8" Rd. Tapered Column Mount	6
2" x 6" x 12' Hollow Rafters	13
2" x 6" x 12' Alum. Rafter Supports	13
2" x 6" Pergola Ends	26
2" x 8" x 16' Hollow Beams	4
2" x 8" x 16' Alum. Beam Supports	4
2" x 8" Pergola Ends	8
2" Alum. Rafter Brackets	52
Packs of 25 - #8 x 1" Screws (for Rafter Brackets)	9
1 1/2" Sq. x 9' Shade Covers	26
1 1/2" Sq. Shade Cover Caps	26
Packs of 25 - #8 x 2" Screws (for Shade Covers)	7

**Black kits substitute the Tapered Columns with 8" Straight Rd. Columns*

12' x 20' Vinyl Pergola Kit

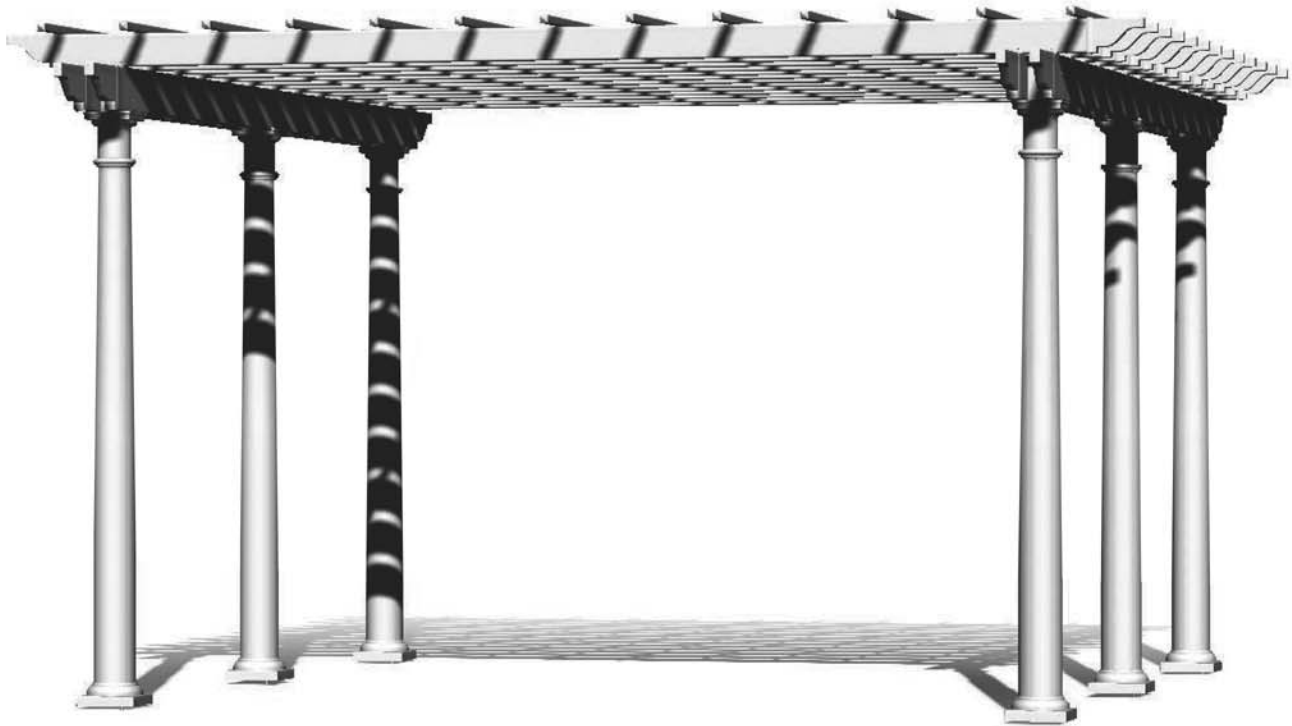


12' x 20' Pergola Kit consists of:

*8" x 90" Tapered Pergola Columns	6
*8" Rd. Tapered Column Trim Sets	6
*8" Rd. Column Beam Mount Assemblies	6
*8" Rd. Tapered Column Mount	6
2" x 6" x 12' Hollow Rafters	16
2" x 6" x 12' Alum. Rafter Supports	16
2" x 6" Pergola Ends	32
2" x 8" x 20' Hollow Beams	4
2" x 8" x 20' Alum. Beam Supports	4
2" x 8" Pergola Ends	8
2" Alum. Rafter Brackets	64
Packs of 25 - #8 x 1" Screws (for Rafter Brackets)	11
1 1/2" Sq. x 11' Shade Covers	26
1 1/2" Sq. Shade Cover Caps	26
Packs of 25 - #8 x 2" Screws (for Shade Covers)	9

**Black kits substitute the Tapered Columns with 8" Straight Rd. Columns*

16' x 16' Vinyl Pergola Kit

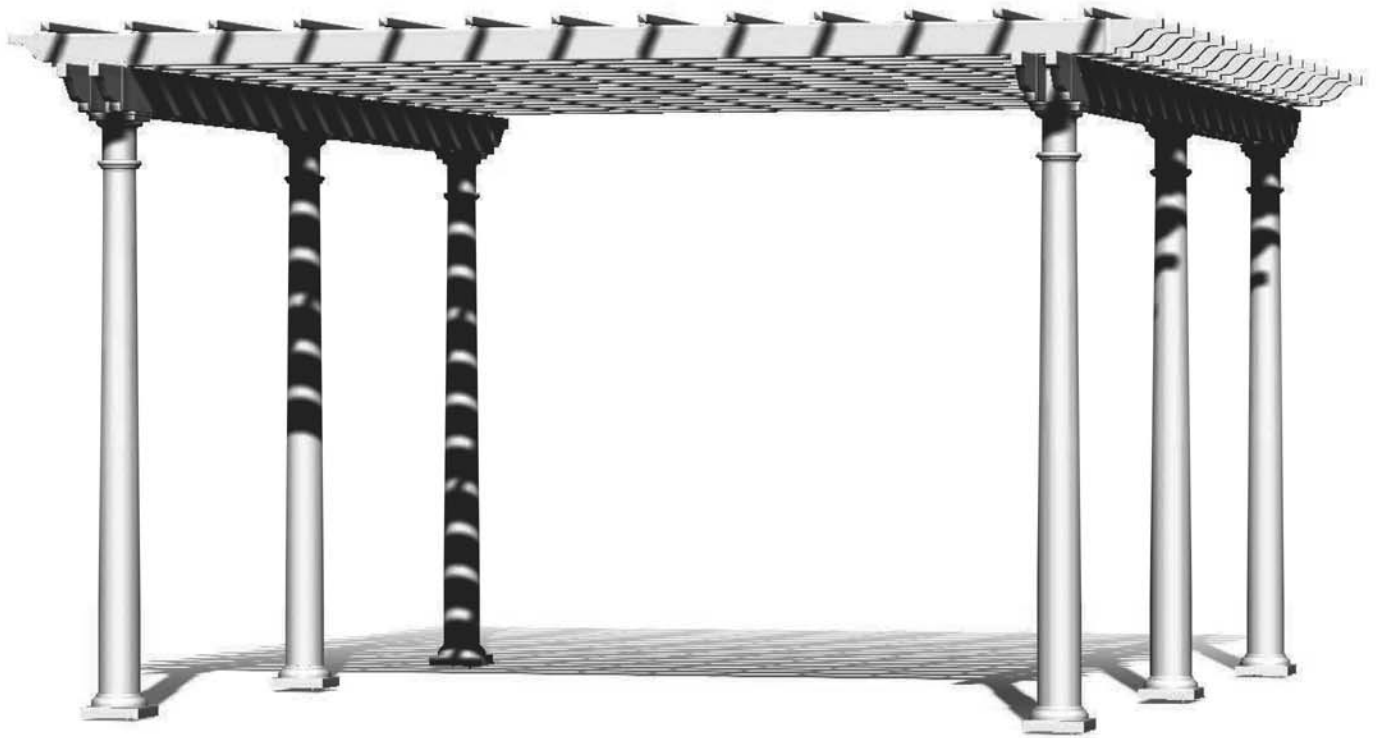


16' x 16' Pergola Kit consists of:

*8" x 90" Tapered Pergola Columns	6
*8" Rd. Tapered Column Trim Sets	6
*8" Rd. Column Beam Mount Assemblies	6
*8" Rd. Tapered Column Mount	6
2" x 6" x 16' Hollow Rafters	13
2" x 6" x 16' Alum. Rafter Supports	13
2" x 6" Pergola Ends	26
2" x 8" x 16' Hollow Beams	4
2" x 8" x 16' Alum. Beam Supports	4
2" x 8" Pergola Ends	8
2" Alum. Rafter Brackets	52
Packs of 25 - #8 x 1" Screws (for Rafter Brackets)	9
1 1/2" Sq. x 9' Shade Covers	34
1 1/2" Sq. Shade Cover Caps	34
Packs of 25 - #8 x 2" Screws (for Shade Covers)	9

**Black kits substitute the Tapered Columns with 8" Straight Rd. Columns*

16' x 20' Vinyl Pergola Kit



16' x 20' Pergola Kit consists of:

*8" x 90" Tapered Pergola Columns	6
*8" Rd. Tapered Column Trim Sets	6
*8" Rd. Column Beam Mount Assemblies	6
*8" Rd. Tapered Column Mount	6
2" x 6" x 16' Hollow Rafters	16
2" x 6" x 16' Alum. Rafter Supports	16
2" x 6" Pergola Ends	32
2" x 8" x 20' Hollow Beams	4
2" x 8" x 20' Alum. Beam Supports	4
2" x 8" Pergola Ends	8
2" Alum. Rafter Brackets	64
Packs of 25 - #8 x 1" Screws (for Rafter Brackets)	11
1 1/2" Sq. x 11' Shade Covers	34
1 1/2" Sq. Shade Cover Caps	34
Packs of 25 - #8 x 2" Screws (for Shade Covers)	11

**Black kits substitute the Tapered Columns with 8" Straight Rd. Columns*

12' x 12' Vinyl Louvered Roof Pergola Kit

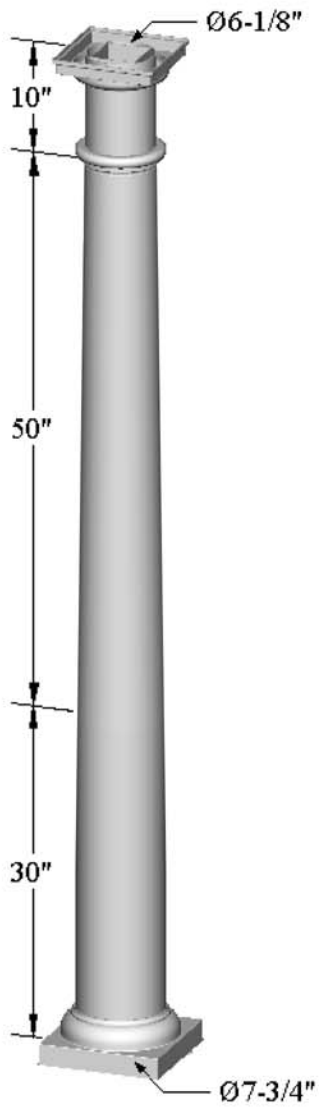


12' x 12' Louvered Roof Pergola Kit consists of:

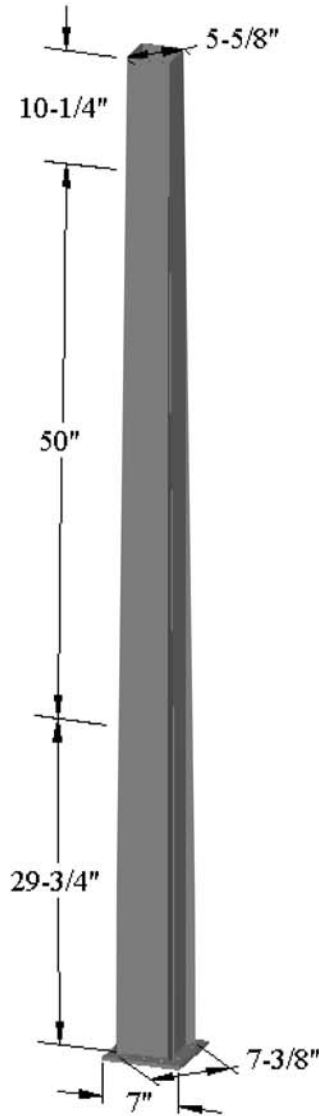
*8" x 90" Tapered Pergola Columns	4
*8" Rd. Tapered Column Trim Sets	4
*8" Rd. Column Beam Mount Assemblies	4
*8" Rd. Tapered Column Mount.	4
2" x 6" x 12' Hollow Rafters	10
2" x 6" x 12' Alum. Rafter Supports	10
2" x 6" Pergola Ends	20
2" x 8" x 12' Hollow Beams	4
2" x 8" x 12' Alum. Beam Supports	4
2" x 8" Pergola Ends	8
2" Alum. Rafter Brackets	40
Packs of 25 - #8 x 1" Screws (for Rafter Brackets).	7
7/8" x 3" x 13' Shade Covers.	33
7/8" x 3" Shade Cover Caps	66
Packs of 25 - #8 x 1" Screws (for Shade Covers)	4

**Black kits substitute the Tapered Columns with 8" Straight Rd. Columns*

8" Tapered Column / Accessories



8" Tapered Column

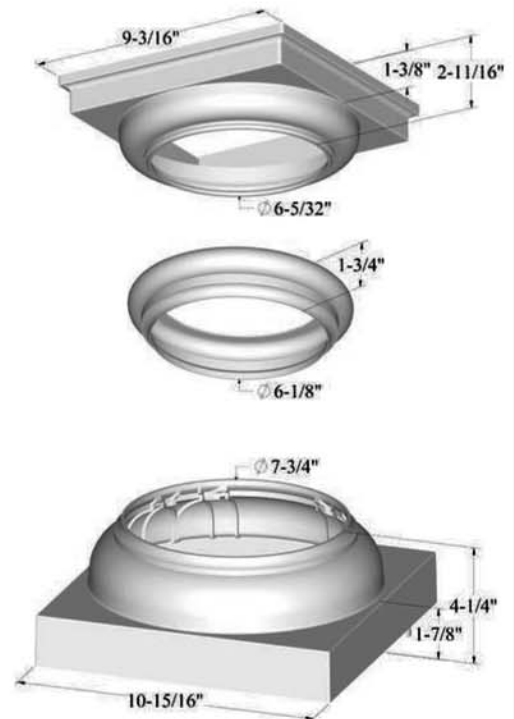


Column Mount

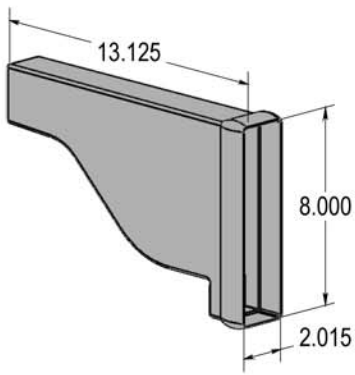
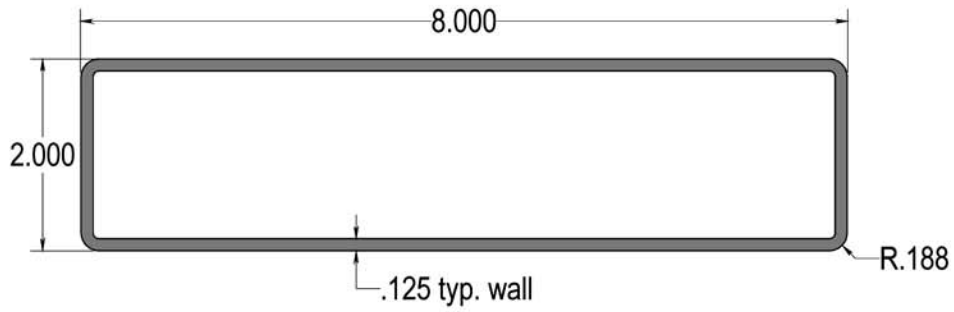
Beam Mount



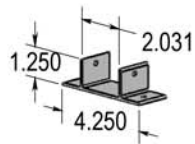
Trim Set



2" x 8" Hollow Rail / Accessories



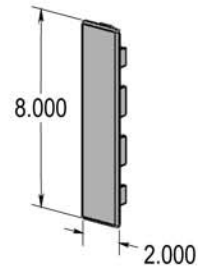
**2" x 8"
Pergola End**



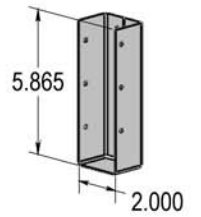
**2" Rafter
Bracket**



**#8 x 1"
Screw**

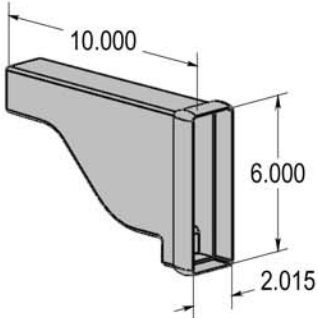
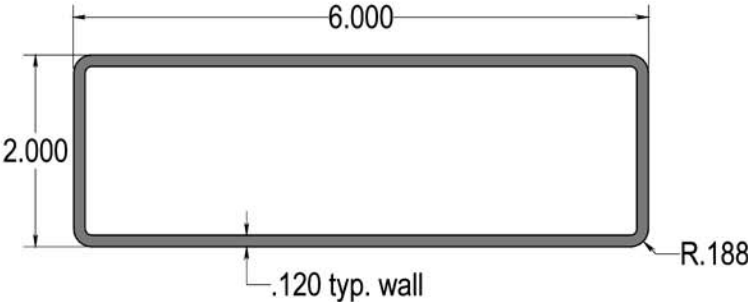


**2" x 8"
Rail Cap**

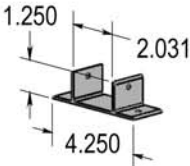


**2" x 8" Wall
Mount Bracket**

2" x 6" Hollow Rail / Accessories



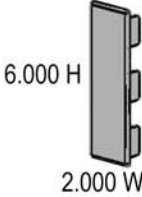
**2" x 6"
Pergola End**



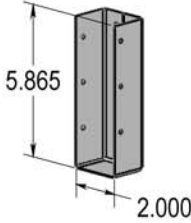
**2" Rafter
Bracket**



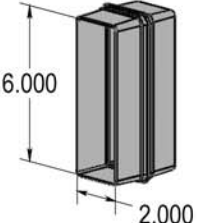
**#8 x 1"
Screw**



**2" x 6"
Rail Cap**

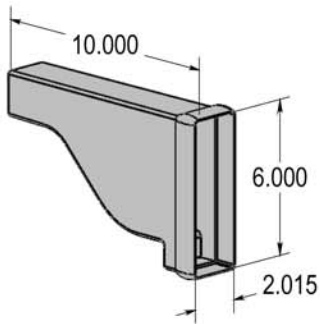
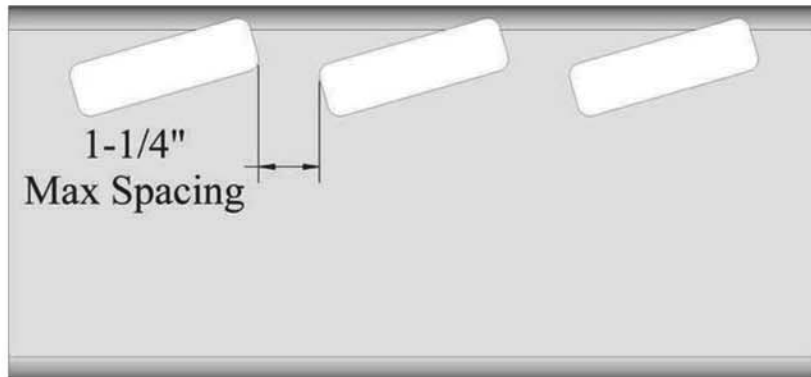
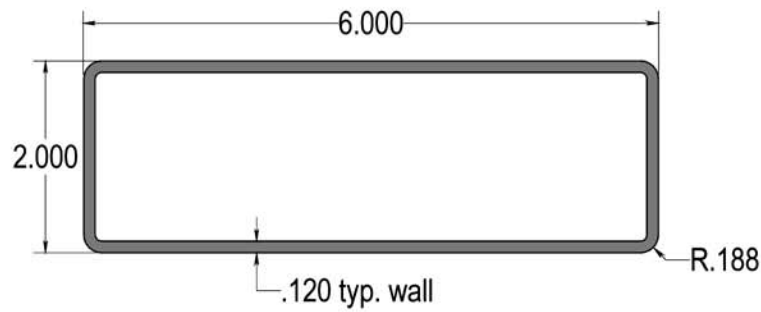


**2" x 6" Wall
Mount Bracket**

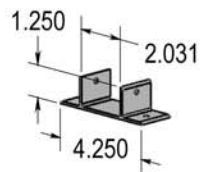


**2" x 6"
Pergola Coupler**

2" x 6" Hollow Louvered Rail / Accessories



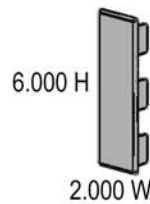
**2" x 6"
Pergola End**



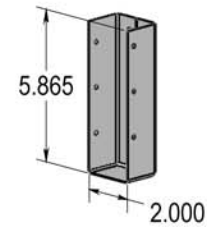
**2" Rafter
Bracket**



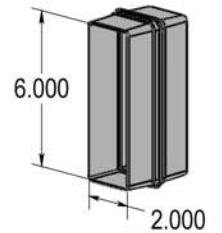
**#8 x 1"
Screw**



**2" x 6"
Rail Cap**



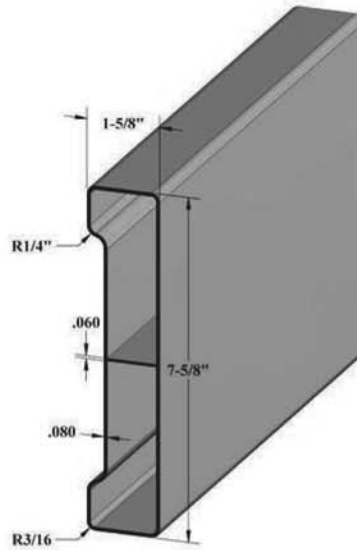
**2" x 6"
Wall
Mount Bracket**



**2" x 6"
Pergola Coupler**

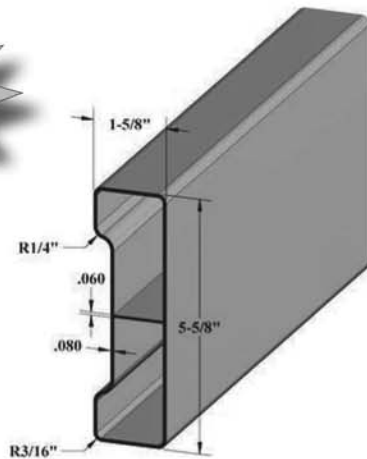
2" x 8" Aluminum Beam Support

For
2" x 8" Hollow
Rails

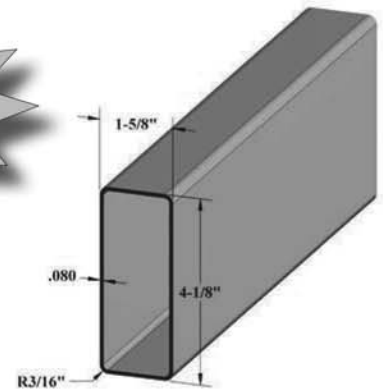


2" x 6" Aluminum Rafter Supports

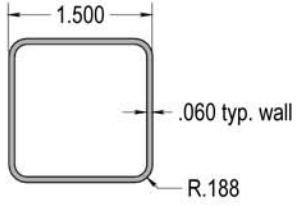
For
2" x 6" Hollow
Rails



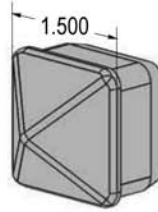
For
2" x 6" Rails
(Routed for
Louvered Roof)



1 1/2" Sq. Pergola Shade Cover



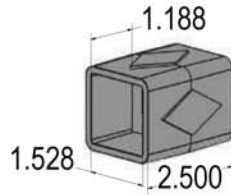
1 1/2" Sq.
Shade Cover



1 1/2" Sq.
Shade Cover Cap



#8 x 2"
Screw



1 1/2" Sq.
Pergola Coupler



5/8" Hole Plug

