

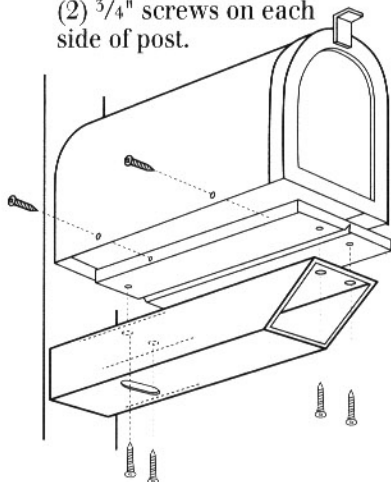
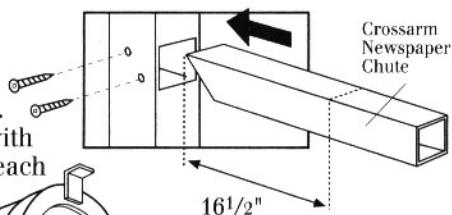
4" X 4" MAILBOX POST Kit

INSTRUCTIONS

1. Assembly should take place on a clean, flat surface.
2. Slide crossarm/newspaper chute through notch in post. Measure $16\frac{1}{2}$ " from post to end of crossarm. Secure crossarm with (2) $\frac{3}{4}$ " screws on each side of post.

Kit Includes:

- 1- Pre-notched post and gothic top
- 1- Crossarm/newspaper chute and cap
- 1- Mounting plate
- 12- $\frac{3}{4}$ " screws
- 1- 1oz. vinyl adhesive



CHECK MOUNTING INSTRUCTIONS FOR THE MAILBOX YOU HAVE PURCHASED

3. Center mounting plate on crossarm with cut facing down. Using predrilled holes under crossarm, attach with (4) $\frac{3}{4}$ " screws.

4. Place mailbox over mounting plate and attach with (4) $\frac{3}{4}$ " screws.

5. Attach cap to crossarm and gothic top to post using vinyl adhesive

If replacing existing mailbox - slide over old wood post

Post Office Requirements for installation of mailbox:

Mailbox must be located on the right hand side of road in the direction of carrier. The box must be placed to conform with state laws and highway regulations and must be accessible for delivery and collection of mail by carrier without leaving the vehicle.

