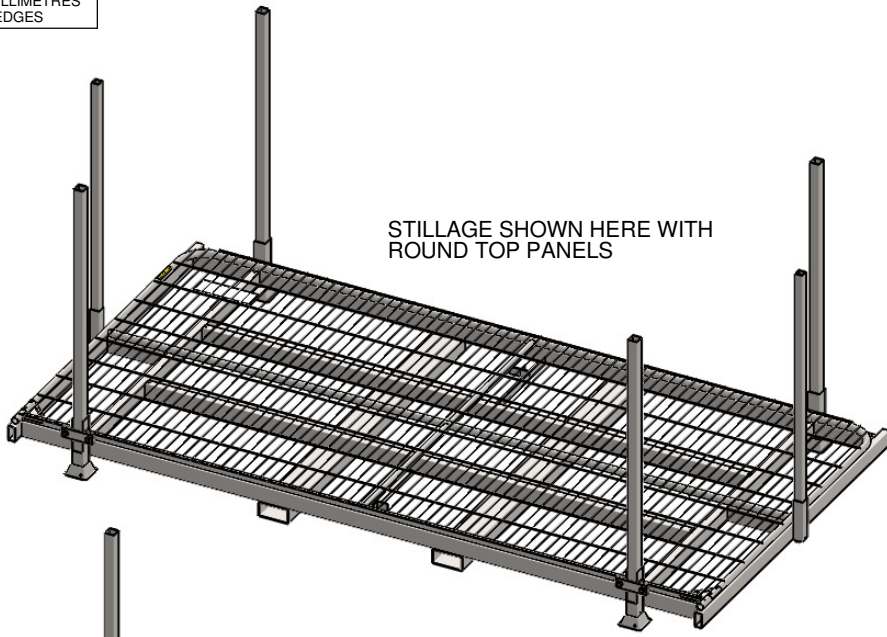
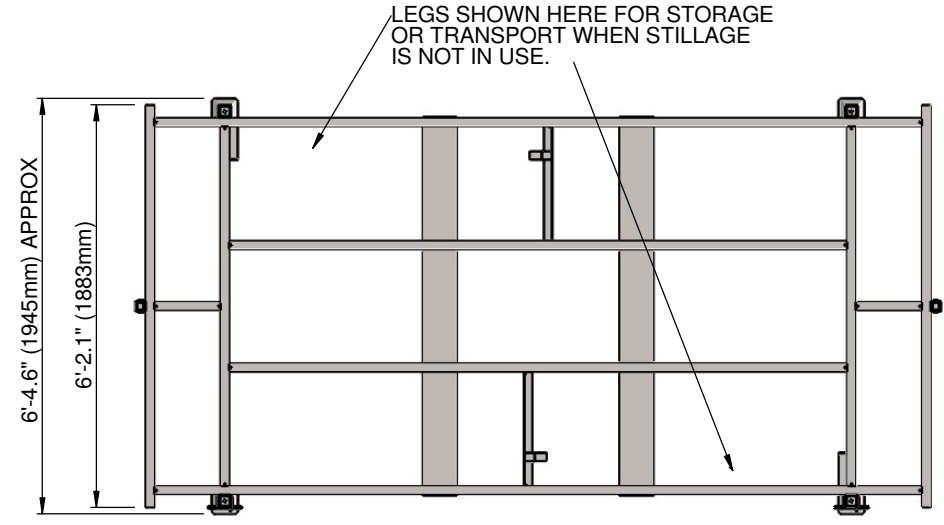


1 ALL DIMENSIONS IN MILLIMETRES  
REMOVE ALL SHARP EDGES

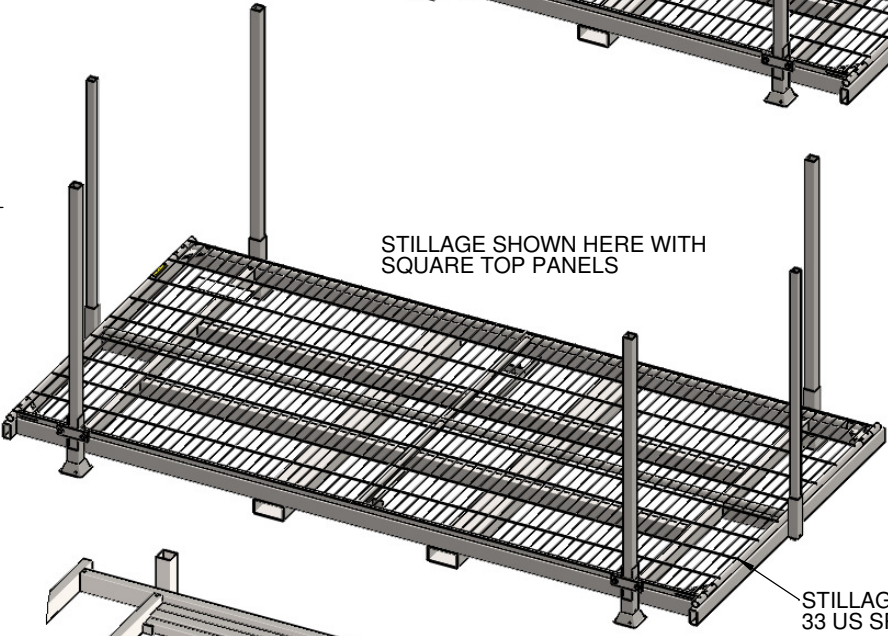
8 THIRD ANGLE PROJECTION  
DO NOT SCALE DRAWING



STILLAGE SHOWN HERE WITH ROUND TOP PANELS

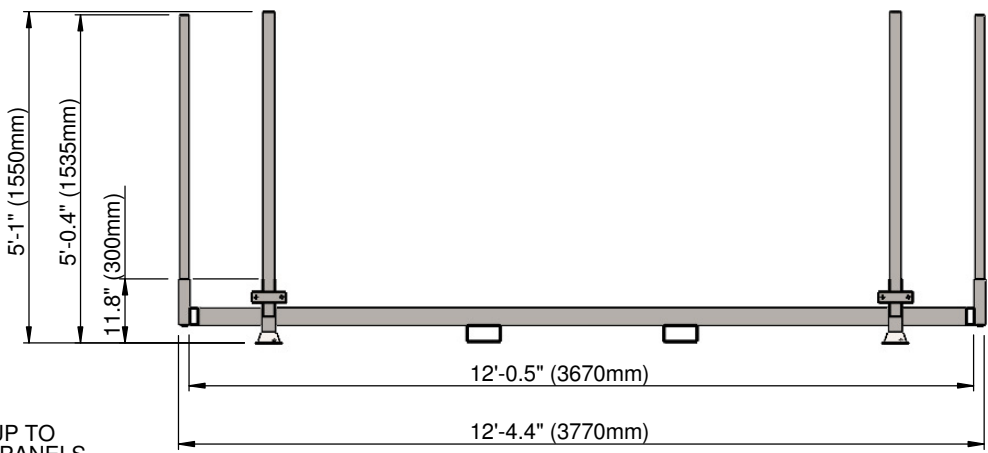


LEGS SHOWN HERE FOR STORAGE OR TRANSPORT WHEN STILLAGE IS NOT IN USE.



STILLAGE SHOWN HERE WITH SQUARE TOP PANELS

STILLAGE CAN HOLD UP TO 33 US SPECIFICATION PANELS



WEIGHT NOTE:  
WEIGHT BEFORE GALVANIZING = 496lbs (225Kg)  
WEIGHT GALVANIZED = 527lbs (239Kg) ASSUMING 6% ADDED.

7	25/11/20	ISSUED FOR MANUFACTURE	GC	.	.
5	25/9/20	ISSUED FOR MANUFACTURE	GC	.	.
REV	DATE	DESCRIPTION	DRN	CHKD	APPR

CORNER OF STILLAGE SHOWN FLATPACK WITH 2 x LONG LEGS AND 1 x SHORT LEG IN POSITION FOR STORAGE OR TRANSPORT. THIS IS THE SAME FOR THE OPPOSITE CORNER.

TOLERANCES - UNLESS STATED OTHERWISE		
FABRICATION	UP TO 300mm	+/- 1mm
	UP TO 1000mm	+/- 2mm
	1001mm & ABOVE	+/- 3mm
MACHINING	ANGULAR	+/- 1°
	GUAGE	+/- 10%
WEIGHT	+/- 10% (DUE TO MATERIAL PROPERTIES & TOLERANCES)	

TITLE: UNIVERSAL FENCE PANEL STILLAGE 6ft			
NAME	SIGNATURE	DATE	MATERIAL:
G. CRICK		12/3/20	CARBON STEEL GRADE S235
CHK'D			HOT DIPPED GALVANIZED
FINISH:	WEIGHT: SEE NOTE		



Drw / Stockcode No. 09055501 - GA Revision 7

THE COMPANY RETAIN THE RIGHT TO PERIODICALLY ALTER INFORMATION WITHIN THIS DRAWING SHEET AND WILL ATTEMPT TO NOTIFY ALL PARTIES CONCERNED OF ANY CHANGES AND THE INFORMATION ON THIS SHEET SHOULD NOT BE REPRODUCED WITHOUT THEIR WRITTEN CONSENT.