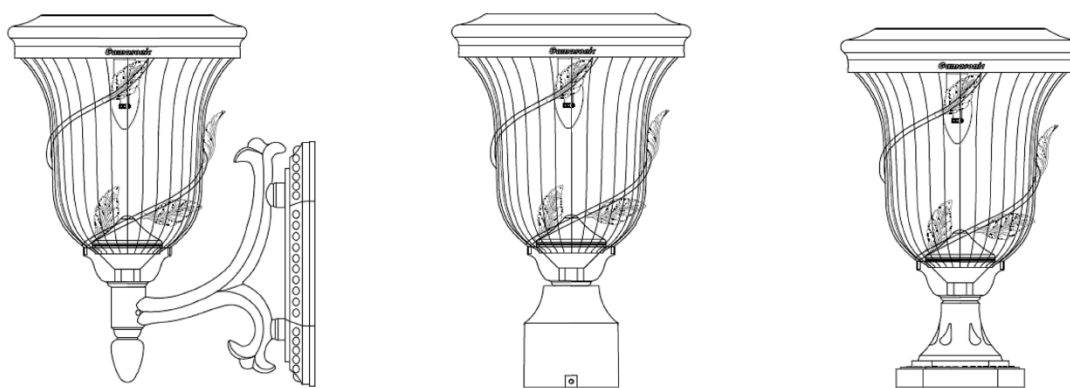


GAMA SONIC®

SOLAR LIGHTING

FLORA BULB SOLAR LAMPS
US Patent # 7172307 /9458970

Instruction Manual
Model: GS-113B-F/P/W



Introduction

Thank you for your purchase. **GAMA SONIC®** solar charged lighting eliminates the problems associated with most solar lighting available today. **GAMA SONIC®** solar charged lights are brighter and last all night with a full day solar charge. Unique design, superior light output and numerous installation options confirm the outstanding value of our product.

GAMA SONIC® has been recognized as a worldwide leader in the lighting industry for over 20 years. The company also offers unique multi-purpose rechargeable products that range from party lights to emergency lighting products.

Technical Assistance/Warranty Claims/Replacement Parts

Toll Free Number: **+1-800-835-4113** (only within the US) or www.gamasonic.com

Visit our website or download the latest version of your instruction manual:

www.gamasonic.com/user-guides

Please read the instruction manual carefully to obtain the best results from your purchase.

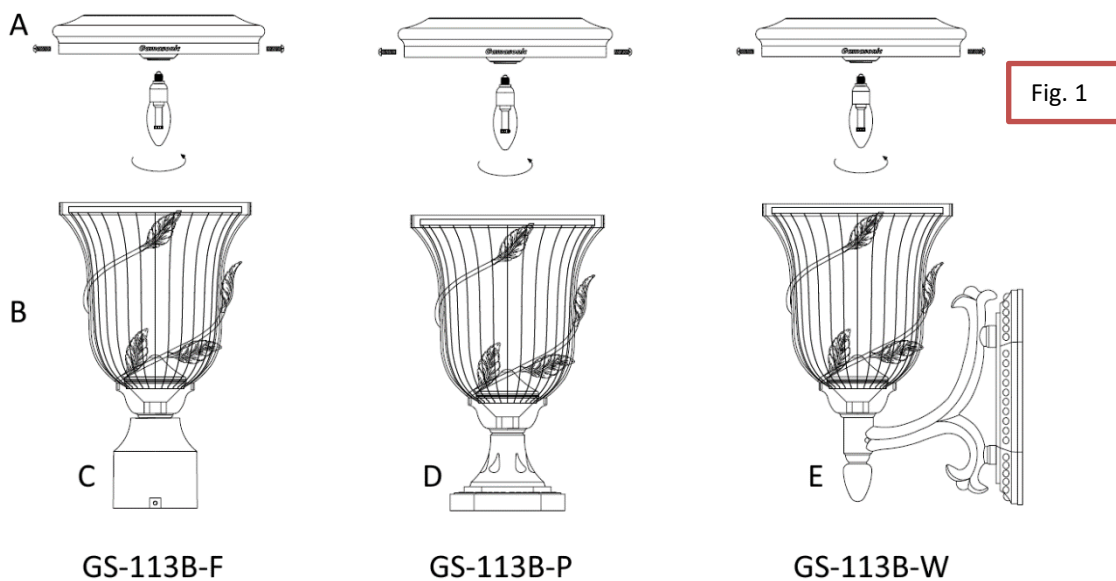
WARNING: GAMA SONIC® Light bulbs are built and designed for Gama Sonic products only. They are not designed to be used in other electrical sockets. For the same reason, regular AC and/or Low Voltage bulbs cannot be used in Gama Sonic products.

NOTE: If you are replacing an existing gas/electric wall light, you must consult a certified technician to disconnect the current outlet before installation.

Tools that are needed but not supplied with the solar post lamps are: screw driver, power drill.

Solar Lamp Post Location

For optimum light duration throughout the night, it is very important to place the solar panel in a spot where it will receive the maximum amount of direct sunlight throughout the day. For best results install your solar panel facing the south.

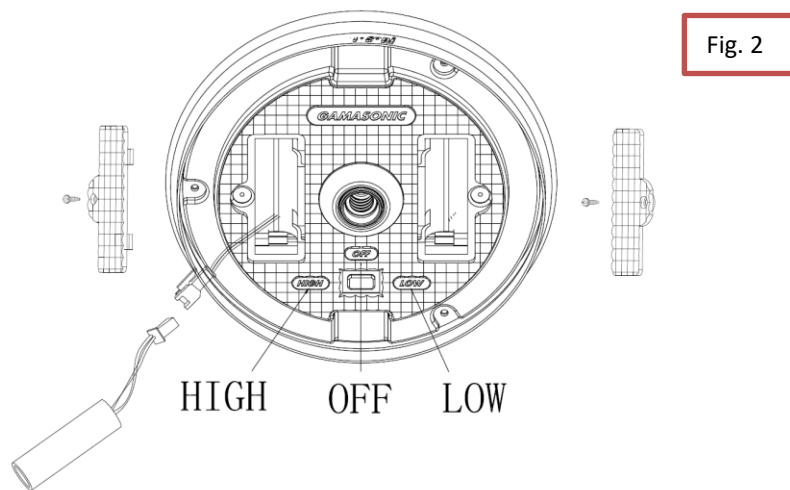


Operation Instructions

1. Remove part (A) from part (B) by unscrewing the 2 screws.
2. Install the new GS Solar LED Bulb by turning into the bulb socket clockwise. (Fig. 1).

NOTE: Make sure to grip the light bulb by the base only and NOT the glass lens.

3. Turn ON the light by choosing your desired brightness level:
Low (I) - last longer using dimmer light.
High (II)- Brighter light output. (Fig. 2).
4. Reattach part (A) to part (B) and secure with the 2 screws. The Solar Lamp will automatically come on at dusk



NOTE: If you are replacing an existing gas or electric light, you must consult a certified technician to disconnect the gas or electricity before installation of solar lamp.

Installation Instructions

Install the desired bracket [3" Fitter (M), Post (L), Wall (N)] into light fixture (A) by turning it clockwise.

GS-113B-F

Place solar lamp on top of your existing 3" post and tighten the 3 screws provided to secure the lamp.

GS-113B-P

Using the anchor screws:

1. Use a drill to make two holes in the desired surface that match the holes on the solar lamp base.
2. Place the provided screw anchors into holes.
3. Place the lamp base in line with the holes and secure the base onto your desired surface with the provided screws.

GS-113B-W

Using the screw anchors:

1. Remove wall lamp support piece by unscrewing the bronze screw caps from the back of the wall unit.
2. Use electric drill to make two holes in the desired location which match the holes on the lamp support piece, and place provided anchors into holes.
3. Place the wall lamp support piece in line with the holes and secure using the provided screws.
4. Attach the solar lamp to the wall support piece and secure with the bronze screw caps.

Replacing the Batteries

(After several years of use, the battery may need replacing).

1. Unscrew the two screws and detach part (A) from part (B).
Make sure the ON/OFF switch (Fig. 2) is in the OFF position.
2. Unscrew the battery compartment screw located on the silver reflector and remove the battery compartment door.
3. Unclip the connector and remove the old battery. Make sure the new battery is high quality 3.2V/1,500mAh Li-ion Rechargeable battery with connector.
4. Clip on new battery and install into the battery compartment.
5. Screw back battery compartment door.
6. Reattach part (A) to part (B) and secure with the 2 screws.

Maintenance

Clean the solar module regularly with a damp towel to guarantee optimum performance of the solar panel. Do not use any type of solvent for cleaning and be careful not to put too much pressure on the module while cleaning.

Troubleshooting

If your solar charged light does not come on at dusk despite observance of all the instructions, please try the following steps:

1. Make sure that the solar light is not being affected by any other light source.
2. Ensure the solar light is not positioned in the shade during the day.
3. Make sure the switch in the lamp head is in NOT on the " OFF" position.
4. Check that the batteries are installed correctly.
5. Check that the GS Solar LED Light Bulb is installed correctly.

WINTERTIME TIPS: Keep snow and debris cleaned off the solar panels so the batteries can recharge. If the lights are covered with snow for an extended period of time, after the snow melts, allow all the batteries to charge in full, direct sunlight for at least 6 hours to their maximum capacity.

**** Gama Sonic batteries are available at www.gamasonic.com**

You can purchase it directly at:

<https://gamasonic.com/product-category/parts-and-accessories/>

NOTE: The performance of the solar lamp will vary with the time of year. It will deliver more light when it has had a full day in the sun rather than a day in overcast weather.

