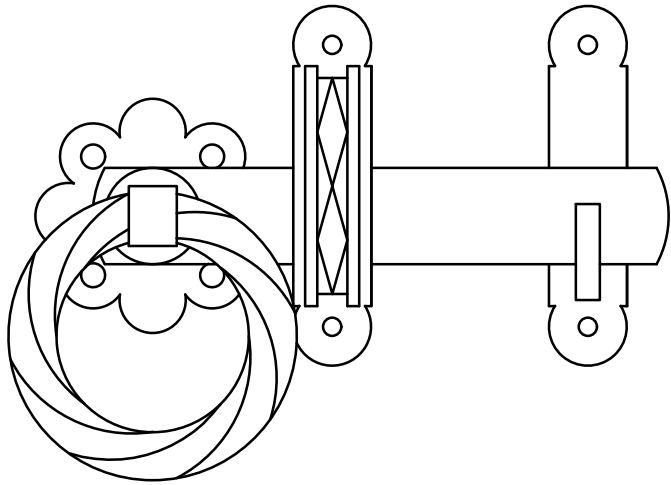
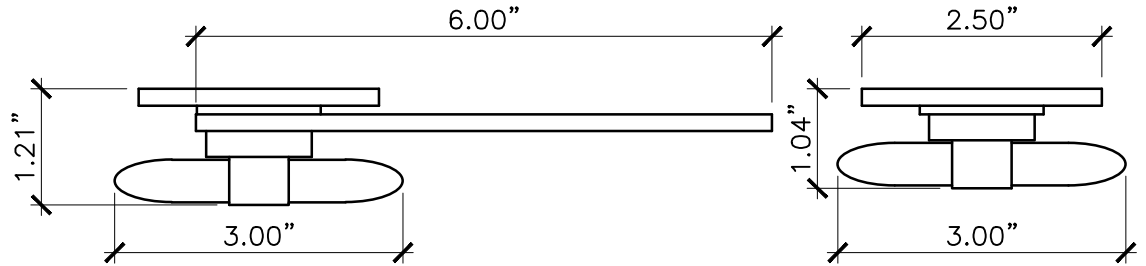
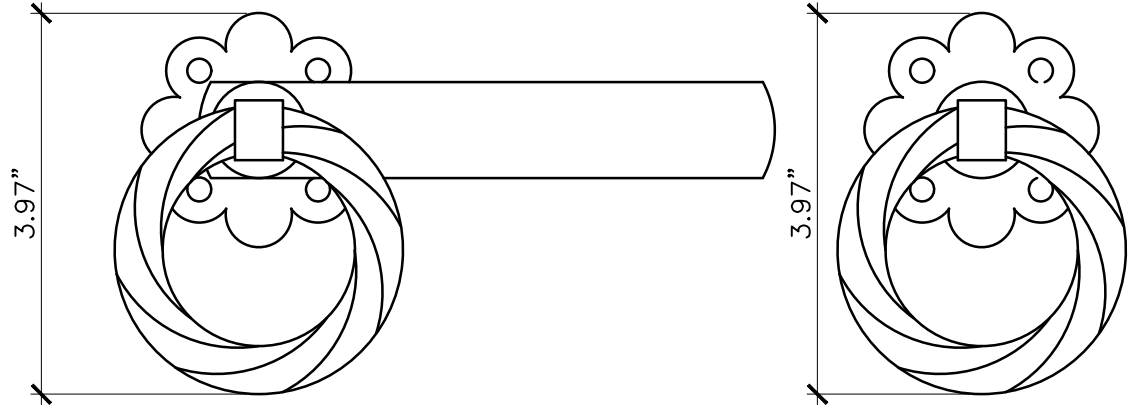


TOP ASSEMBLED



FRONT ASSEMBLED



<p>PROPERTY OF:</p> 	<p>PRODUCT DESCRIPTION:</p> <p>TWISTED RING LATCH – FLUSH MOUNT</p> <p>ALL DIMENSIONS ±0.125"</p>	<p>PART NUMBER:</p> <p>4149</p>
---	---	---------------------------------