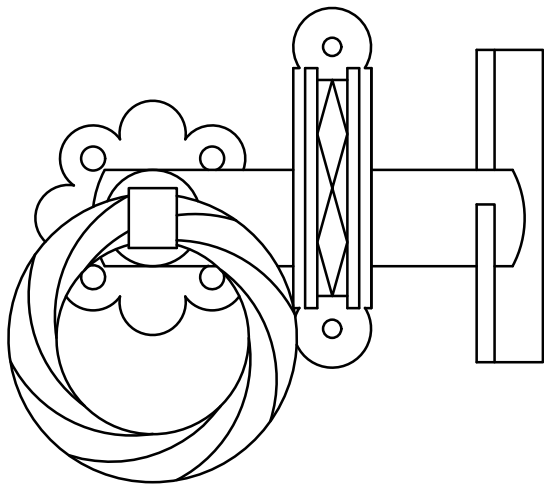
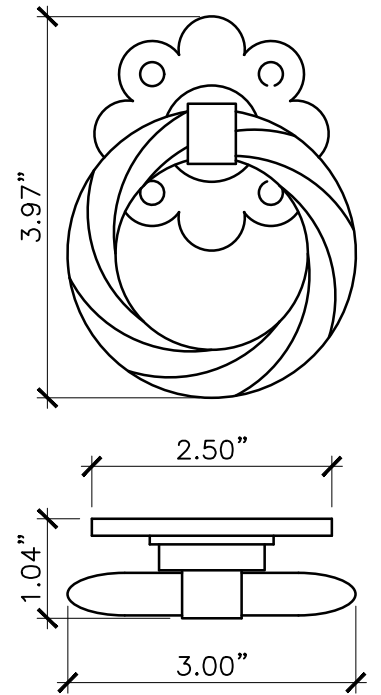
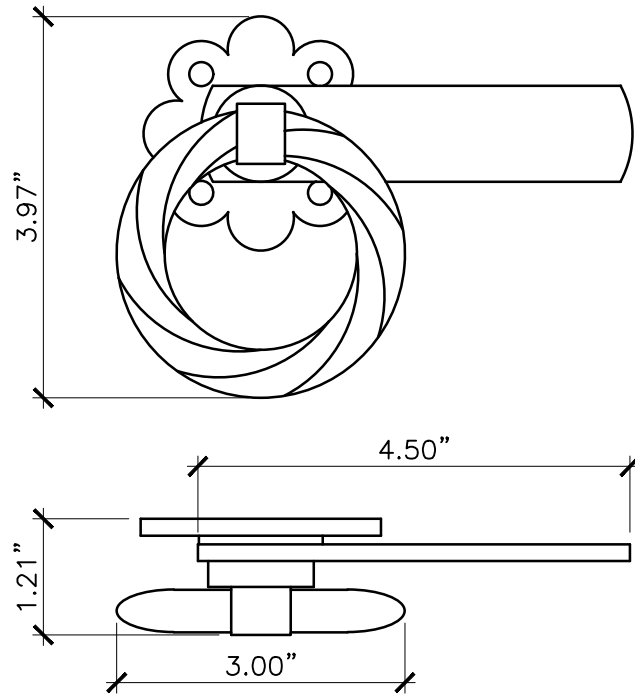


TOP ASSEMBLED



FRONT ASSEMBLED



<p>PROPERTY OF:</p>  <p><b>SNUG COTTAGE</b> <i>Est. 1995</i> <b>HARDWARE</b></p>	<p>PRODUCT DESCRIPTION:</p> <p>TWISTED RING GATE LATCH – SETBACK MOUNT</p> <p>ALL DIMENSIONS ±0.125"</p>	<p>PART NUMBER:</p> <p>4152</p>
---	--	---------------------------------