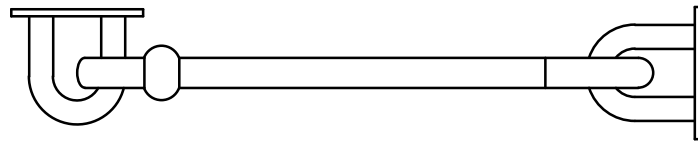
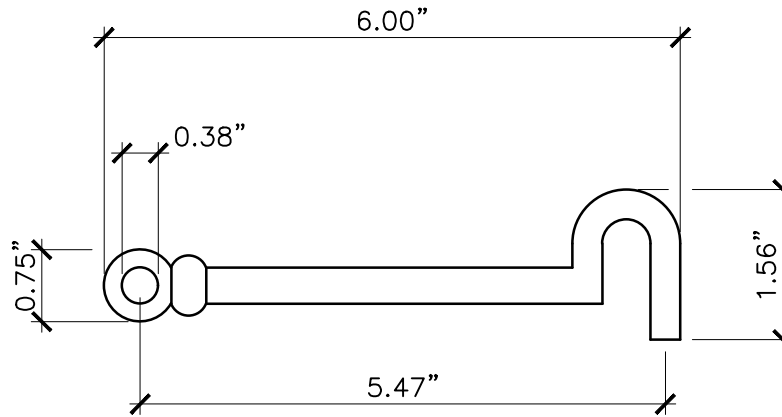
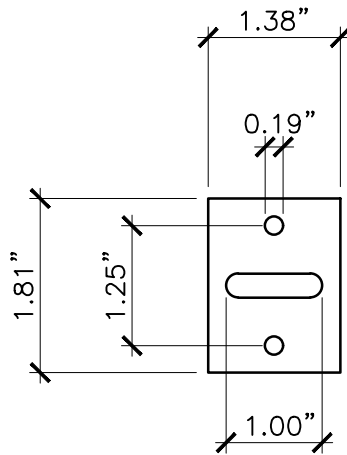


FRONT ASSEMBLED



TOP ASSEMBLED



FRONT



<p>PROPERTY OF:</p>  <p>SNUG COTTAGE <i>Est. 1995</i> HARDWARE</p>	<p>PRODUCT DESCRIPTION:</p> <p>6" CABIN HOOK – CAST IRON</p> <p>ALL DIMENSIONS $\pm 0.125"$</p>	<p>PART NUMBER:</p> <p>6270-06</p>
---	--	------------------------------------