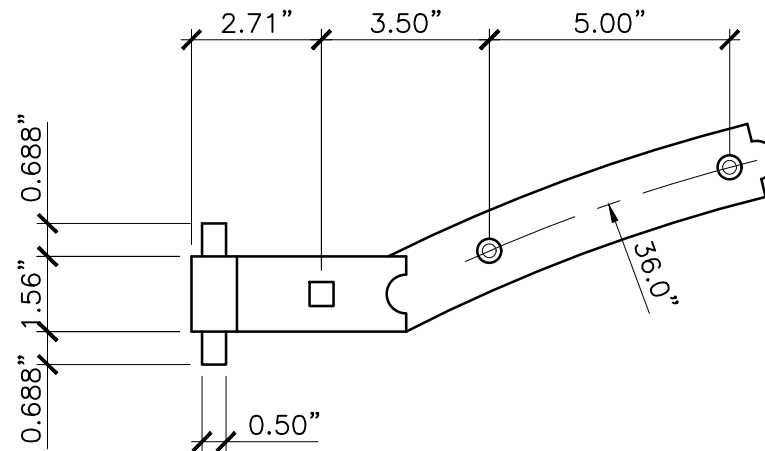
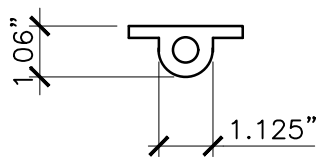


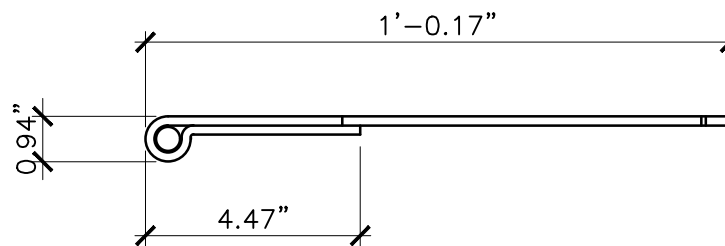
FRONT



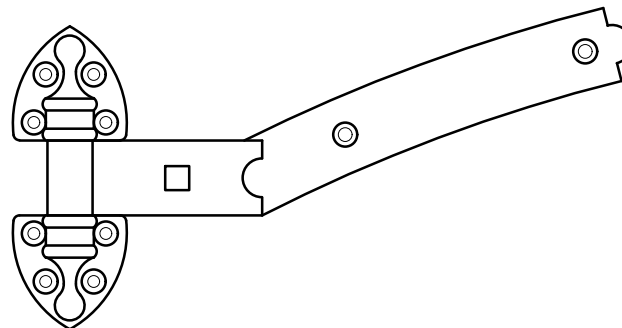
FRONT



TOP



TOP



ASSEMBLED

PROPERTY OF: 	PRODUCT DESCRIPTION: 12" CURVED OLD-FASHIONED HINGE RIGHT HAND ALL DIMENSIONS $\pm 0.125"$	PART NUMBER: 8292
---	--	----------------------