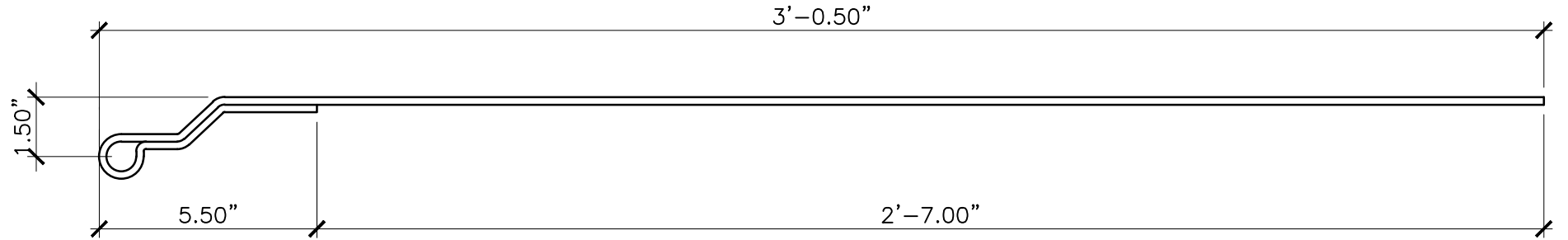
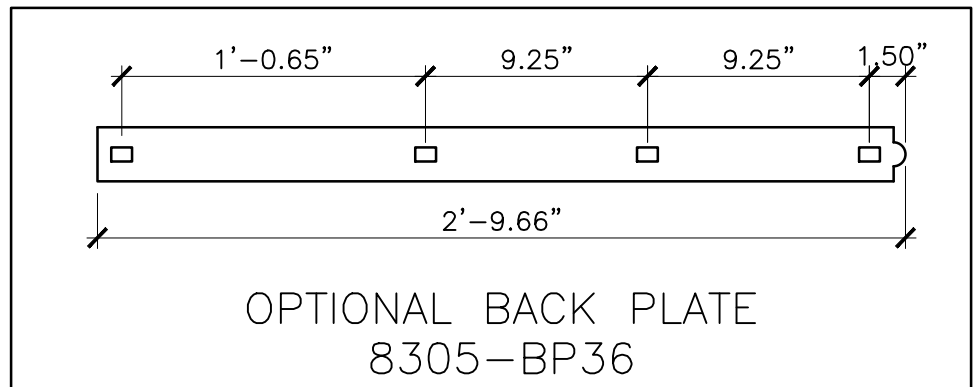


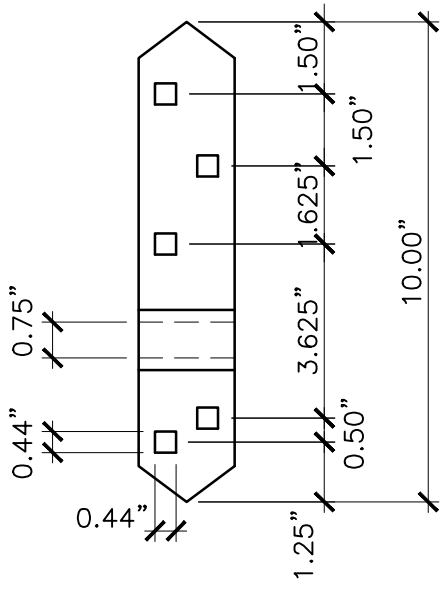
SIDE



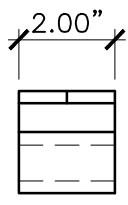
TOP



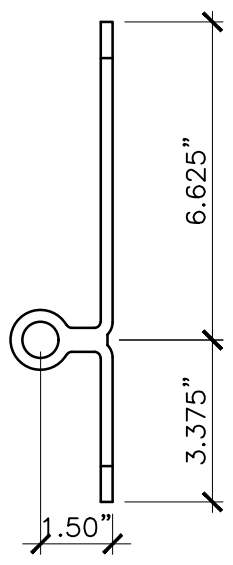
<p>PROPERTY OF:</p> 	<p>PRODUCT DESCRIPTION:</p> <p>36" HEAVY DUTY CRANKED STRAP WITH 3/4" EYE</p> <p>ALL DIMENSIONS ±0.125"</p>	<p>PART NUMBER:</p> <p>8305</p>
---	---	---------------------------------



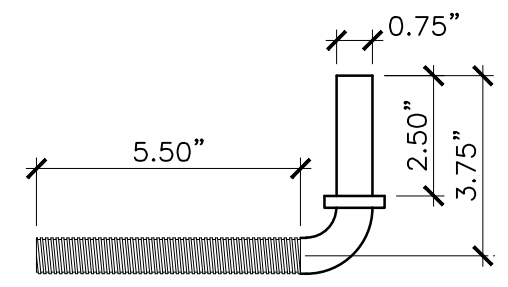
FRONT



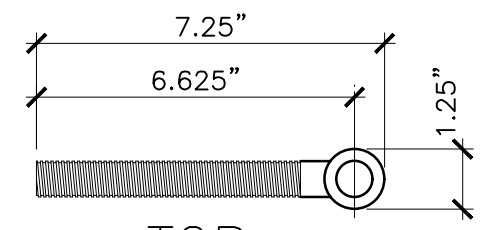
TOP



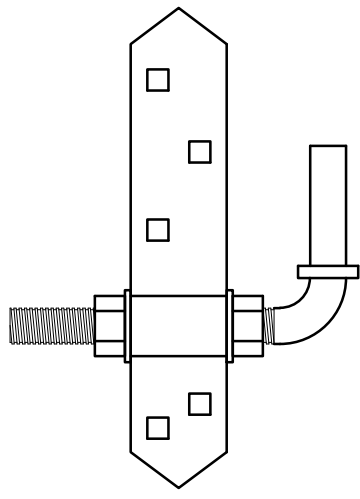
SIDE



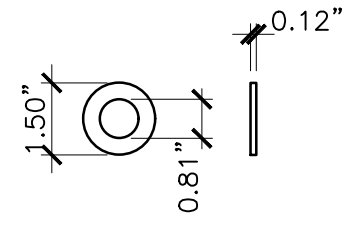
SIDE



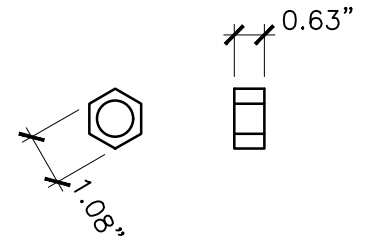
TOP




FRONT ASSEMBLED



WASHER X2



NUT X2

<p>PROPERTY OF:</p> 	<p>PRODUCT DESCRIPTION:</p> <p>ADJUSTABLE HINGE MOUNT WITH 6" THREADED PIN</p> <p>ALL DIMENSIONS ±0.125"</p>	<p>PART NUMBER:</p> <p>8256</p>
---	--	---------------------------------