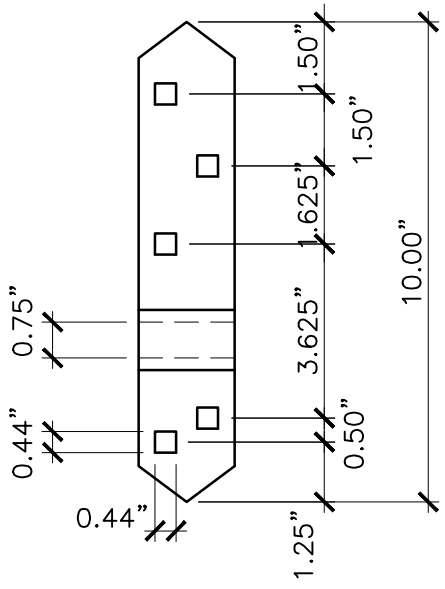
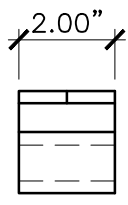


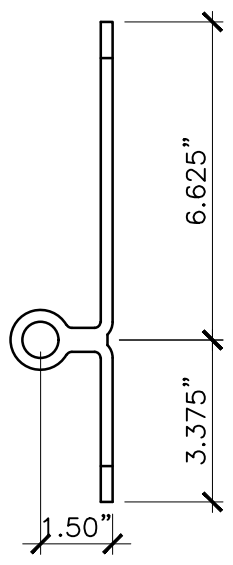
| | | |
|---|--|----------------------|
| PROPERTY OF:  | PRODUCT DESCRIPTION: 24" DOUBLE STRAPS WITH REAR EYE (3" GAP) ALL DIMENSIONS ±0.125" | PART NUMBER: 8324 |
|---|--|----------------------|



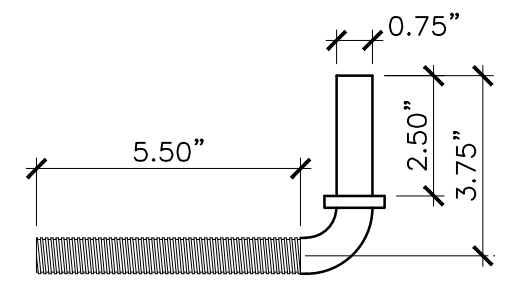
FRONT



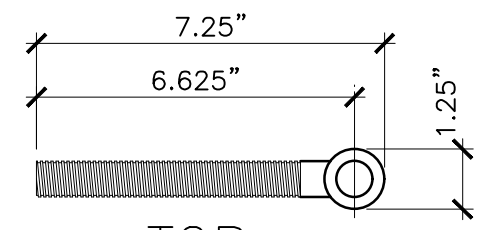
TOP



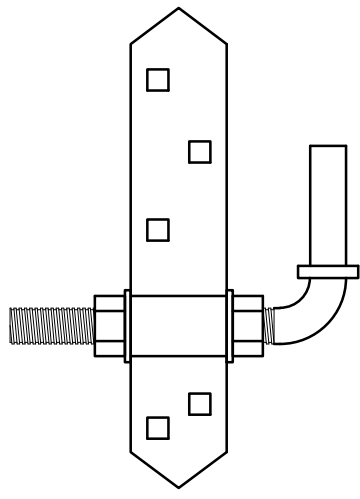
SIDE



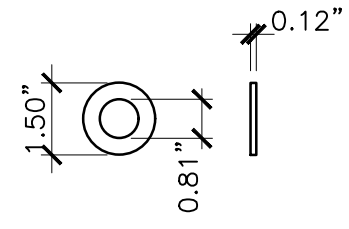
SIDE



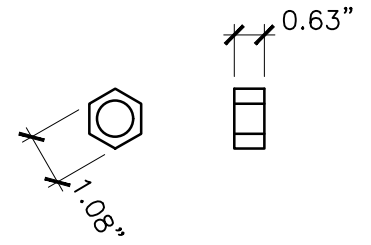
TOP



FRONT ASSEMBLED



WASHER X2



NUT X2

| | | |
|---|--|---------------------------------|
| <p>PROPERTY OF:</p>  | <p>PRODUCT DESCRIPTION:</p> <p>ADJUSTABLE HINGE MOUNT WITH 6" THREADED PIN</p> <p>ALL DIMENSIONS ±0.125"</p> | <p>PART NUMBER:</p> <p>8256</p> |
|---|--|---------------------------------|