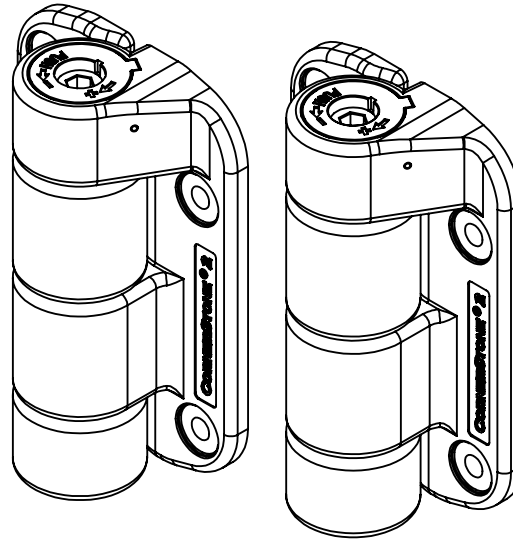
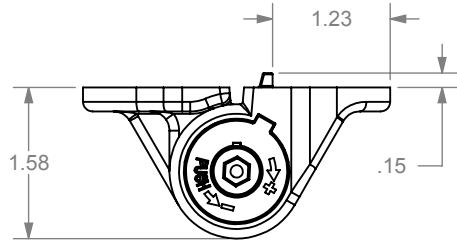
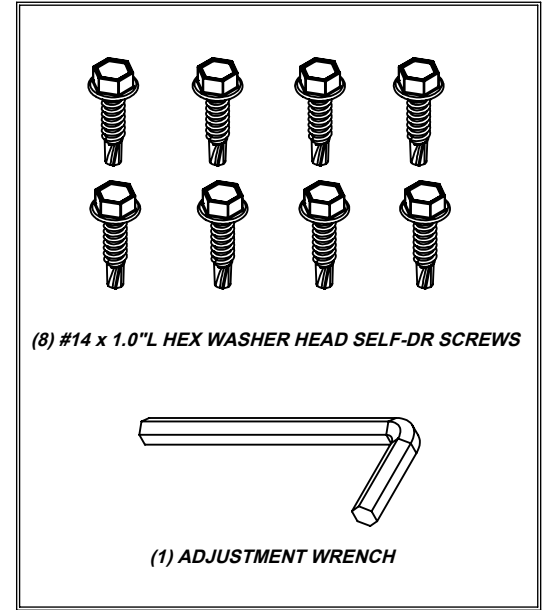


REVISIONS		DATE	APPD
ECR/DCR	REV.	DESCRIPTION	
-	-	INITIAL RELEASE	CGS



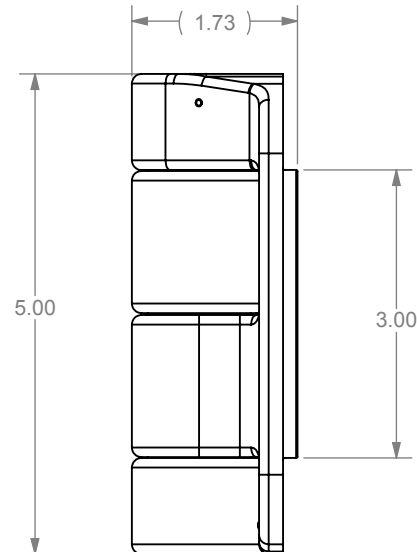
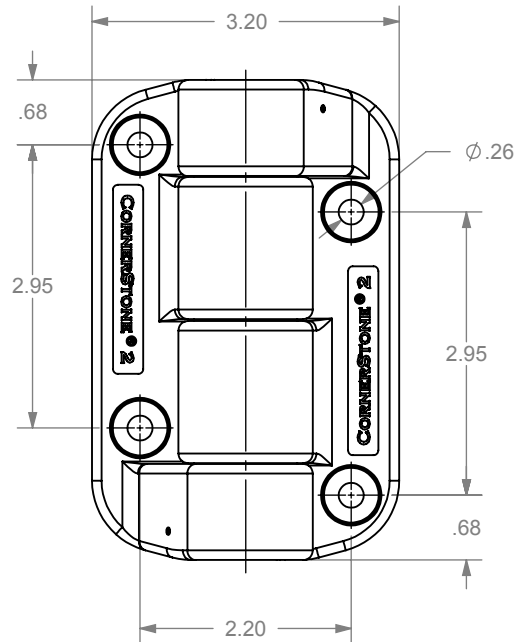
(2) HINGES PER SET



(8) #14 x 1.0" L HEX WASHER HEAD SELF-DR SCREWS



(1) ADJUSTMENT WRENCH



DIMENSIONS ARE IN INCHES
 TOLERANCES:
 FRACTIONAL ±1/16"
 ANGULAR: MACH ±1° BEND ±1°
 TWO PLACE DECIMAL ±0.01
 THREE PLACE DECIMAL ±0.005

PROPRIETARY AND CONFIDENTIAL
 THE INFORMATION CONTAINED IN THIS
 DRAWING IS THE SOLE PROPERTY OF
 NATIONWIDE INDUSTRIES. ANY
 REPRODUCTION IN PART OR AS A WHOLE
 WITHOUT THE WRITTEN PERMISSION OF
 NATIONWIDE INDUSTRIES IS PROHIBITED.

**NATIONWIDE
 INDUSTRIES**

**CORNERSTONE 2
 SELF-CLOSING HINGE**

SIZE: **A** DWG. NO. **CS--C2H121NB** REV. **-**
 SCALE: 1:2 WEIGHT: SHEET 1 OF 1