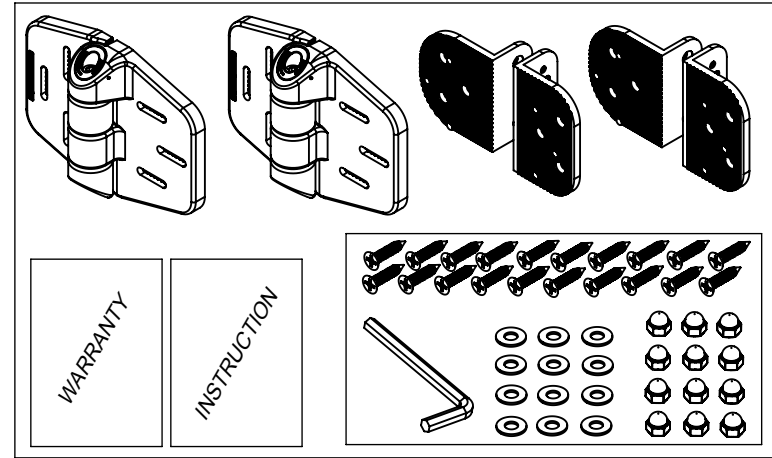
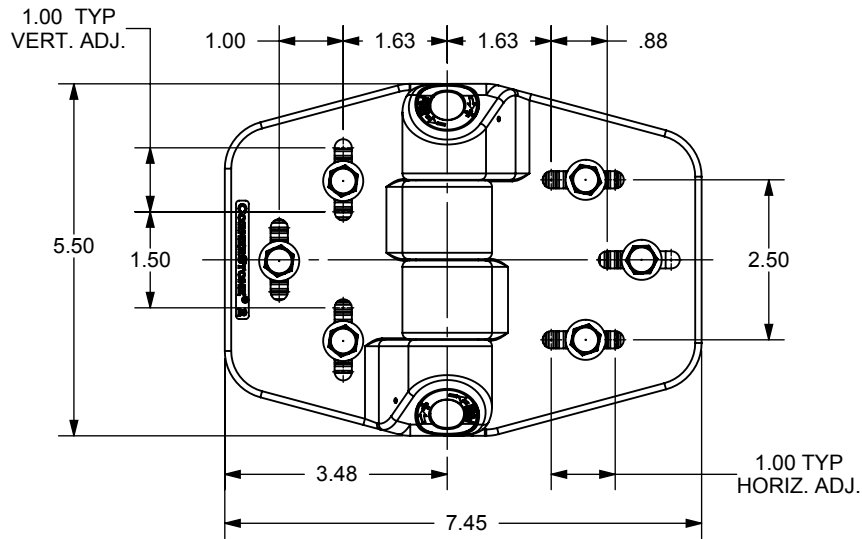
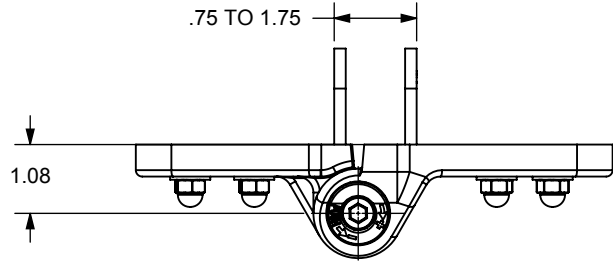
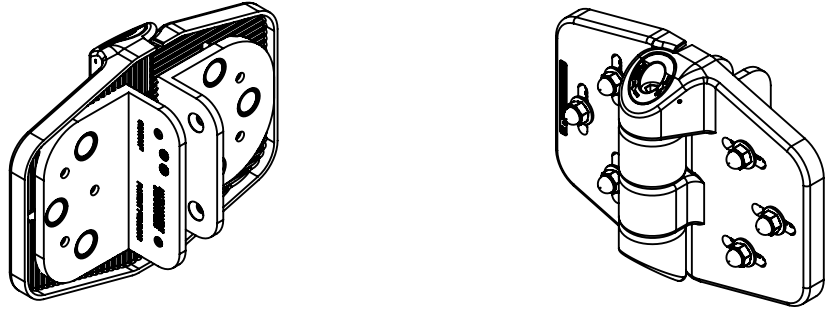
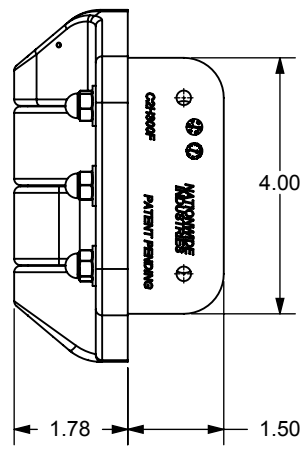


ECR/DCR		REV.		REVISIONS		DATE	APPD
				DESCRIPTION			
-	-	-	-	INITIAL RELEASE		8/29/16	-



- PACKAGING:**
 POLYBAGGED SET INCLUDES
 (2) HINGE ASSEMBLIES
 (2) BACKPLATE H
 (2) BACKPLATE V
 (1) POLYBAGGED SCREW PACK
 (20) #12 FLAT HD 18-8 SS SCREWS
 SEE CHART FOR LENGTH
 AND TYPE
 (1) 1/4" HEX WRENCH
 (12) 1/4" FLAT WASHER 18-8 SS
 (12) 1/4-20 ACORN NUT 18-8 SS
 (1) INSTRUCTION SHEET
 (1) WARRANTY SHEET



PART NO.	COLOR	SCREW TYPE	SCREW LENGTH
C2H300F-SD-WH	WHITE	SELF-DRILLING	1.25"
C2H300F-SD-BK	BLACK	SELF-DRILLING	1.25"
C2H300F-WH	WHITE	SHEET METAL	1.00"
C2H300F-BK	BLACK	SHEET METAL	1.00"

PROPRIETARY AND CONFIDENTIAL
 THE INFORMATION CONTAINED IN THIS DRAWING IS THE SOLE PROPERTY OF NATIONWIDE INDUSTRIES. ANY REPRODUCTION IN PART OR AS A WHOLE WITHOUT THE WRITTEN PERMISSION OF NATIONWIDE INDUSTRIES IS PROHIBITED.

DIMENSIONS ARE IN INCHES TOLERANCES: FRACTIONAL: ±1/16" ANGULAR: MACH ±1° BEND ±1° TWO PLACE DECIMAL ±0.01 THREE PLACE DECIMAL ±0.005		NAME	DATE
DRAWN	EET	8/29/16	
CHECKED			
ENG APPR.			
MFG APPR.			
G.A.			
COMMENTS:			
DO NOT SCALE DRAWING			

NATIONWIDE INDUSTRIES

**CORNERSTONE 2
3" FULLY ADJUSTABLE
HINGE**

SIZE A DWG. NO. **CS--C2H300F** REV. -
 SCALE: 1:1 WEIGHT: SHEET 1 OF 1