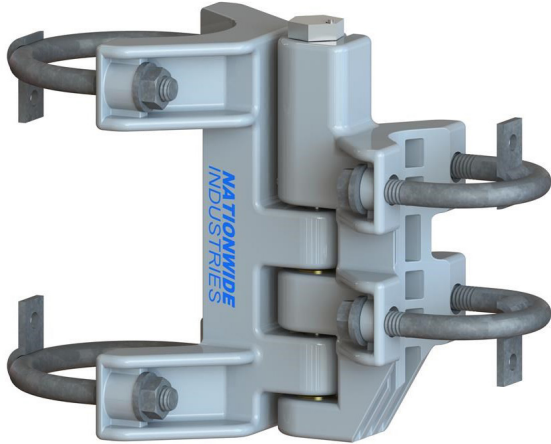


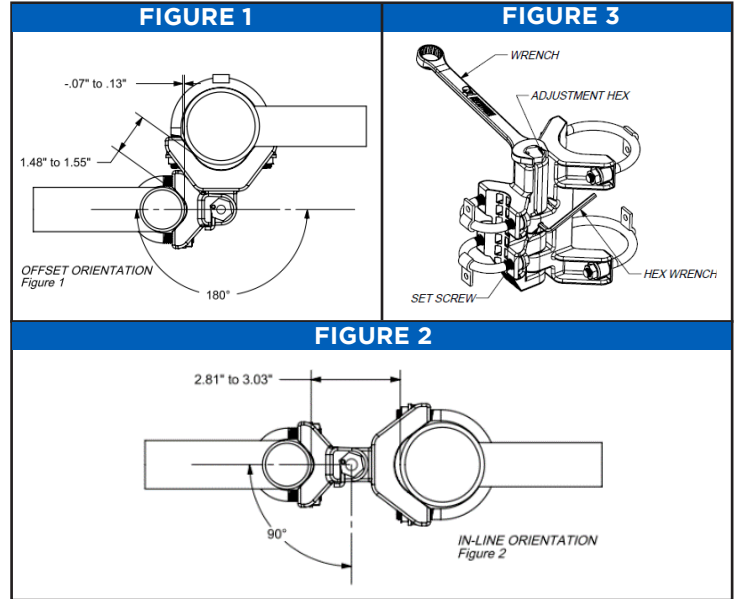
Self-Closing Chain Link Hinge



MOUNTING OPTIONS

- **In-line orientation:** gate will open about 90 degrees (Figure 2).
- **Offset orientation:** gate will open about 180 degrees (Figure 1).

Tension can be adjusted by using a wrench and the Hex wrench (Hex wrench included see Figure 3).



Easy Tension Adjustment



Very Easy Installation



CL-7211 & CL-7212 Heavy Duty Spring

SIZE CHART		
Fits	Gate Frame Sizes	Fence Post Sizes
CL-7210	1 3/8" or 1 5/8"	2 3/8" to 3"
CL-7211	1 3/8" to 2"	2 3/8" to 3"
CL-7212	1 3/8" to 2"	4"

SELF-CLOSING CHAIN LINK HINGE			
Part Number	Description	Color	Quantity/Weight
CL-7210-GY	Self-Close Chain Link Hinge	Gray	10/Box @ 32lbs
CL-7210-BK	Self-Close Chain Link Hinge	Black	10/Box @ 32lbs
CL-7211-GY	Heavy Duty Self-Close Chain Link Hinge	Gray	10/Box @ 32lbs
CL-7211-BK	Heavy Duty Self-Close Chain Link Hinge	Black	10/Box @ 32lbs
CL-7212-GY	Heavy Duty Self-Close Chain Link Hinge	Gray	10/Box @ 32lbs
CL-7212-BK	Heavy Duty Self-Close Chain Link Hinge (<i>Special Order</i>)	Black	10/Box @ 32lbs