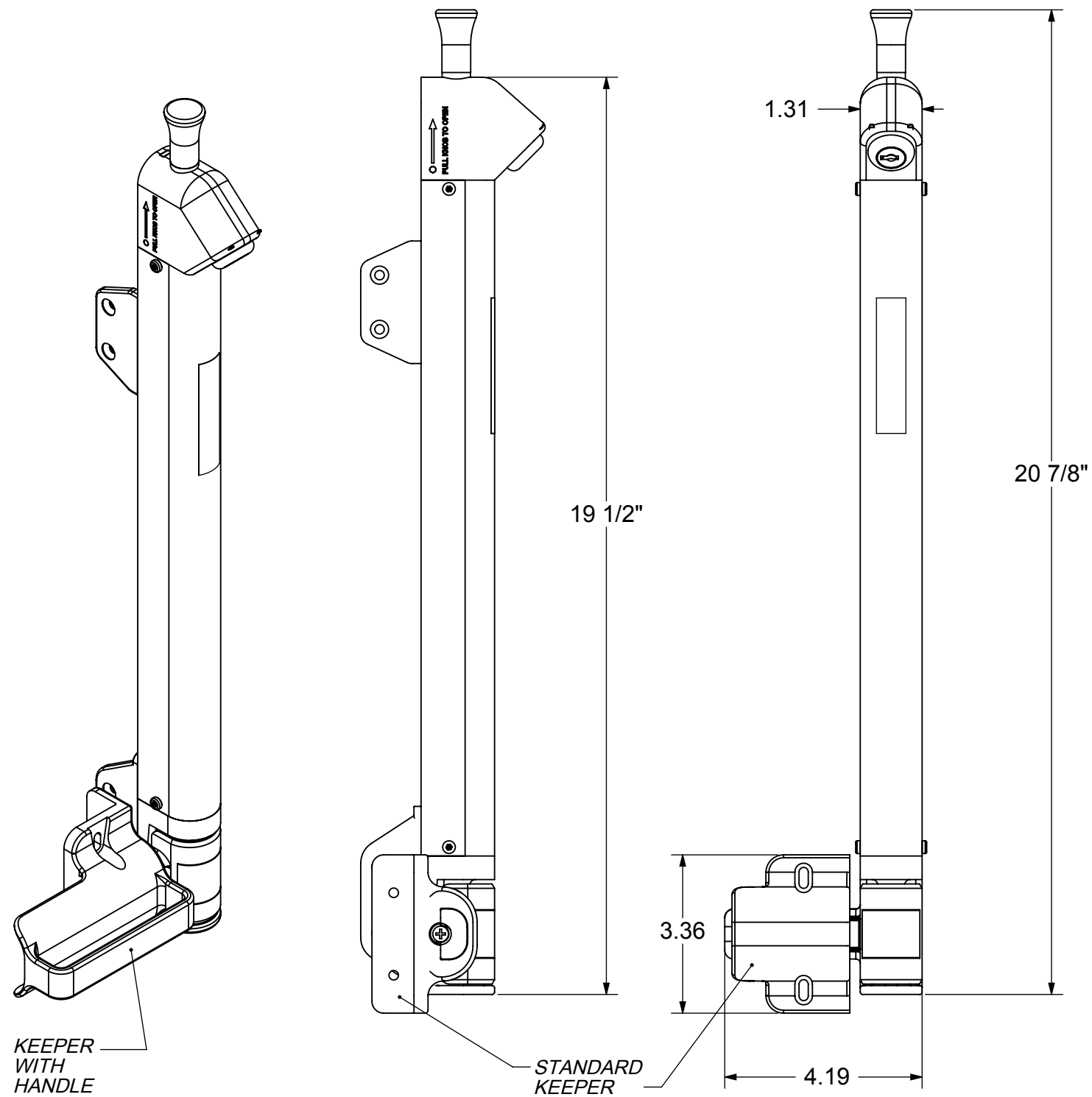
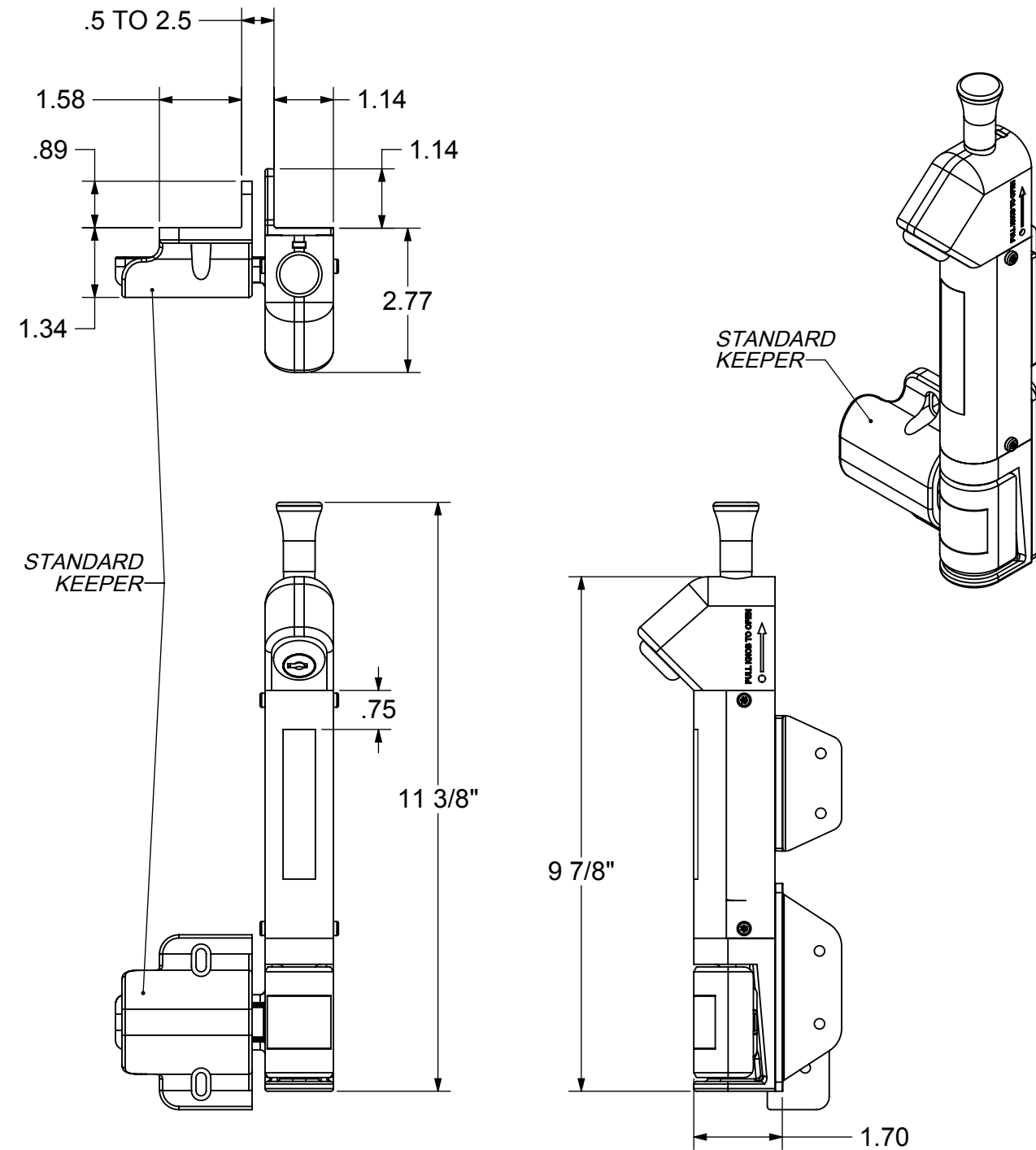


REVISIONS				
ECR/DCR	REV	DESCRIPTION	DATE	APPD
-	-	INITIAL RELEASE	5-23-13	-



**20" LATCH**



**10" LATCH**

**NOTES:**

1. PART TO HAVE MIN. DRAFT ANGLE AS TOOLING REQUIRES.
2. ANY AND ALL CHANGES TO MATERIAL OR FINISH MUST BE APPROVED BY NWI.
3. POWDERCOAT FINISH TO BE INTERPON 600 OR NWI APPROVED EQUIVALENT.

**PROPRIETARY AND CONFIDENTIAL**

THE INFORMATION CONTAINED IN THIS DRAWING IS THE SOLE PROPERTY OF NATIONWIDE INDUSTRIES. ANY REPRODUCTION IN PART OR AS A WHOLE WITHOUT THE WRITTEN PERMISSION OF NATIONWIDE INDUSTRIES IS PROHIBITED.

DIMENSIONS ARE IN INCHES  
 TOLERANCES:  
 FRACTIONAL  $\pm 1/16"$   
 ANGULAR: MACH  $\pm 1^\circ$  BEND  $\pm 1^\circ$   
 TWO PLACE DECIMAL  $\pm 0.01$   
 THREE PLACE DECIMAL  $\pm 0.005$

MATERIAL  
**30% GF PA, ALUM**  
 FINISH  
**POWDERCOAT**

DO NOT SCALE DRAWING

	NAME	DATE
DRAWN	EET	5-23-15
CHECKED		
ENG APPR.		
MFG APPR.		
Q.A.		
COMMENTS:		

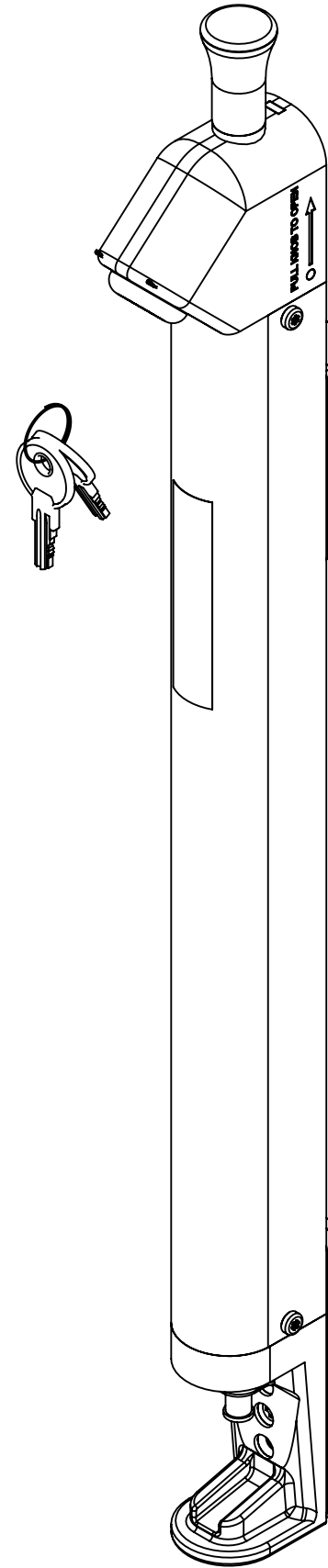


**"AQUALATCH"  
 MAGNETIC GATE LATCH  
 ASSEMBLY**

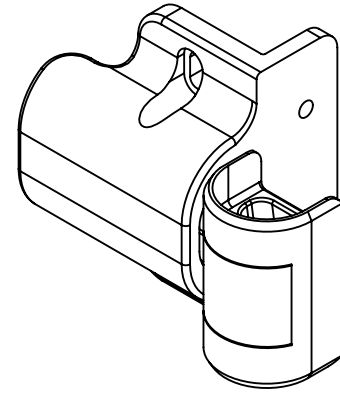
SIZE	DWG. NO.	REV.
B	CS--AQUA	-

SCALE: 1:1    WEIGHT:    LB.    SHEET 1 OF 2

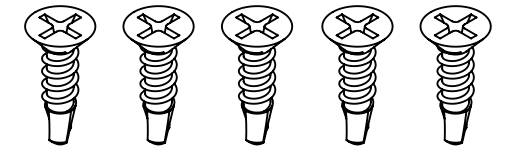
PART #	LENGTH	COLOR	SCREWS	KEEPER
AQUA20-BK	20	BLACK	SELF DRILLING SST	STANDARD
AQUA20-WH	20	WHITE	SELF DRILLING SST	STANDARD
AQUA20H-BK	20	BLACK	SELF DRILLING SST	with HANDLE
AQUA20H-WH	20	WHITE	SELF DRILLING SST	with HANDLE
AQUA10-BK	10	BLACK	SELF DRILLING SST	STANDARD
AQUA10-WH	10	WHITE	SELF DRILLING SST	STANDARD
AQUA10H-BK	10	BLACK	SELF DRILLING SST	with HANDLE
AQUA10H-WH	10	WHITE	SELF DRILLING SST	with HANDLE
AQUA20-ZT-BK	20	BLACK	SHEET METAL STEEL	STANDARD
AQUA20-ZT-WH	20	WHITE	SHEET METAL STEEL	STANDARD
AQUA20H-ZT-BK	20	BLACK	SHEET METAL STEEL	with HANDLE
AQUA20H-ZT-WH	20	WHITE	SHEET METAL STEEL	with HANDLE
AQUA10-ZT-BK	10	BLACK	SHEET METAL STEEL	STANDARD
AQUA10-ZT-WH	10	WHITE	SHEET METAL STEEL	STANDARD
AQUA10H-ZT-BK	10	BLACK	SHEET METAL STEEL	with HANDLE
AQUA10H-ZT-WH	10	WHITE	SHEET METAL STEEL	with HANDLE
AQUA20-ZD-BK	20	BLACK	SELF DRILLING STEEL	STANDARD
AQUA20-ZD-WH	20	WHITE	SELF DRILLING STEEL	STANDARD
AQUA20H-ZD-BK	20	BLACK	SELF DRILLING STEEL	with HANDLE
AQUA20H-ZD-WH	20	WHITE	SELF DRILLING STEEL	with HANDLE
AQUA10-ZD-BK	10	BLACK	SELF DRILLING STEEL	STANDARD
AQUA10-ZD-WH	10	WHITE	SELF DRILLING STEEL	STANDARD
AQUA10H-ZD-BK	20	BLACK	SELF DRILLING STEEL	with HANDLE
AQUA10H-ZD-WH	20	WHITE	SELF DRILLING STEEL	with HANDLE
AQUA20-ST-BK	20	BLACK	SHEET METAL SST	with HANDLE
AQUA20-ST-WH	20	WHITE	SHEET METAL SST	with HANDLE
AQUA20H-ST-BK	10	BLACK	SHEET METAL SST	STANDARD
AQUA20H-ST-WH	10	WHITE	SHEET METAL SST	STANDARD
AQUA10-ST-BK	10	BLACK	SHEET METAL SST	with HANDLE
AQUA10-ST-WH	10	WHITE	SHEET METAL SST	with HANDLE
AQUA10H-ST-BK	10	BLACK	SHEET METAL SST	STANDARD
AQUA10H-ST-WH	10	WHITE	SHEET METAL SST	STANDARD



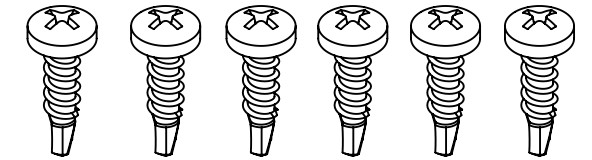
**(1) GATE LATCH ASSEMBLY**  
(20" SHOWN)



**(1) KEEPER ASSEMBLY**  
(STANDARD KEEPER SHOWN)



(5) #10 x .75 PHILIPS FLAT HD SCREW  
SELF-DRILLING OR SHEET METAL (SEE TABLE)  
MAT'L: 300 SERIES SS OR STEEL (SEE TABLE)  
FINISH: PAINT TO MATCH



(6) #10 x .75 PHILIPS PAN HD SCREW  
SELF-DRILLING OR SHEET METAL (SEE TABLE)  
MAT'L: 300 SERIES SS OR STEEL (SEE TABLE)  
FINISH: PAINT TO MATCH



(1) #8 x .38 PHILIPS FLAT HD SCREW  
MAT'L: 300 SERIES SS OR STEEL (SEE TABLE)  
FINISH: PAINT TO MATCH

**PACKAGING INSTRUCTIONS:**

**(1) POLY-BAGGED SET CONTAINS**

**(1) GATE LATCH ASSEMBLY**

**(1) KEEPER ASSEMBLY**

**(1) POLY-BAGGED SCREW KIT:**

**(5) #10 x .75 PHILIPS FLAT HD SCREWS**

**(6) #10 x .75 PHILIPS PAN HD SCREWS**

**(1) #8 x .38 FLAT HD SCREW**

**(1) FOLDED INSTRUCTION SHEET**

**PROPRIETARY AND CONFIDENTIAL**  
THE INFORMATION CONTAINED IN THIS DRAWING IS  
THE SOLE PROPERTY OF NATIONWIDE INDUSTRIES. ANY  
REPRODUCTION IN PART OR AS A WHOLE WITHOUT THE  
WRITTEN PERMISSION OF NATIONWIDE INDUSTRIES  
IS STRICTLY PROHIBITED.  
DO NOT SCALE DRAWING

**"AQUALATCH"  
MAGNETIC GATE LATCH  
ASSEMBLY**

SIZE <b>B</b>	DWG. NO. <b>CS--AQUA</b>	REV. <b>-</b>
SCALE:1:1	WEIGHT: LB.	SHEET 2 OF 2