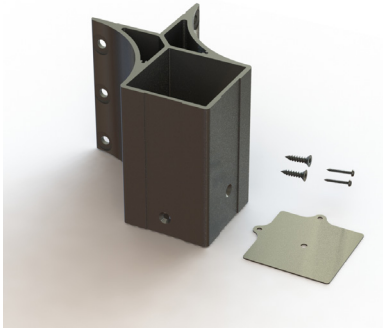


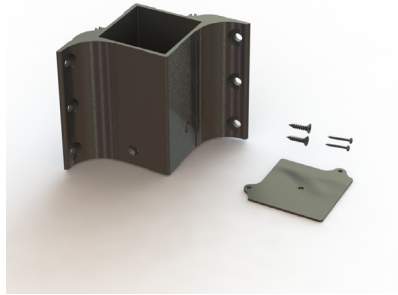


Fascia Mount Bracket

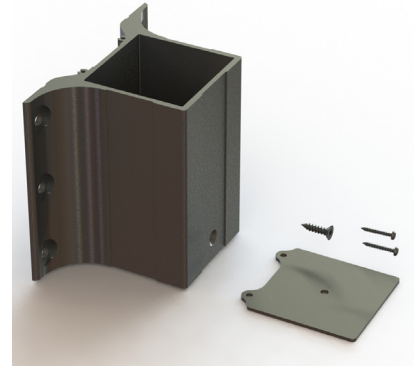
Outside Corner Post Mount Bracket



Inside Corner Post Mount Bracket



Line Post Mount



Recommended Tools

- Safety Glasses
- Level
- Tape Measure & Pencil
- Power Drill

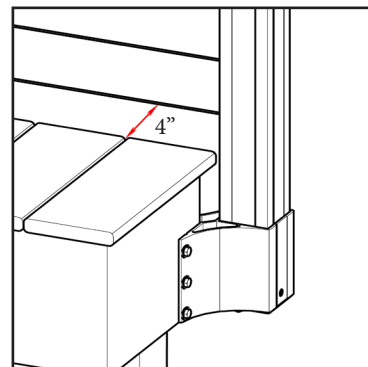
What's Included

- (1) Mounting Bracket (Corner, Line, Inside Corner)
- (1) Cap Plate
- (2) #10 x 1" Flat Head Screw
- (2) #8 x 1" Pan Head Screws

Sold Separately

- Fascia Mount Section Support Bracket Kit (needed for all railing sections over 6')
- Under Deck Bracket (for use in line bracket scenario)

Note: Maximum straight line distance from top deck surface edge to the bottom rail/cable should never exceed 4 inches



- *These directions are only a guide and may not address every situation.*
- *Always wear proper safety equipment while assembling and installing.*
- *The installer should obtain all required building permits and follow all installation procedures in accordance with applicable building code requirements.*
- *Key-Link Fencing and Railing Inc. shall not be held liable for improper or unsafe installations.*
- *Applying paint, other than Key-Link's touch up paint, will void your warranty.*
- *To ensure proper coverage by our warranty please visit our website and complete the warranty form and mail to: Key-Link Fencing & Railing, Inc., 150 Orlan Road, New Holland, PA 17557*



"WARNING: This product can expose you to chemicals including Quartz (crystalline silica), which is known to the State of California to cause cancer, and Hexavalent Chromium, which is known to the State of California to cause birth defects or other reproductive harm. For more information go to P65Warnings.ca.gov."

Step 1: Fasten the Keylink Bracket 1" below the deck's top surface. It is recommended to not fully tighten the bracket hardware until the post is inserted. Brackets are designed to allow for 3/4" deck overhang

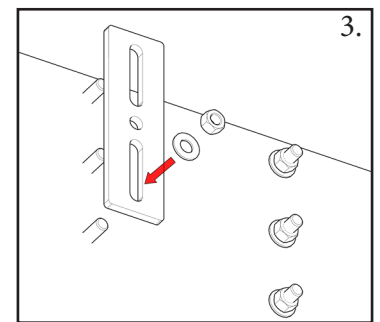
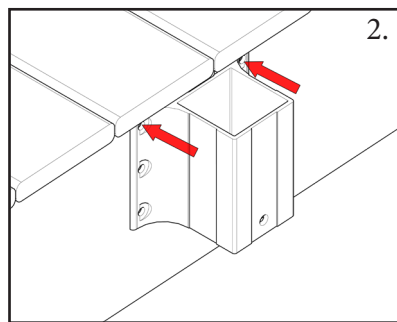
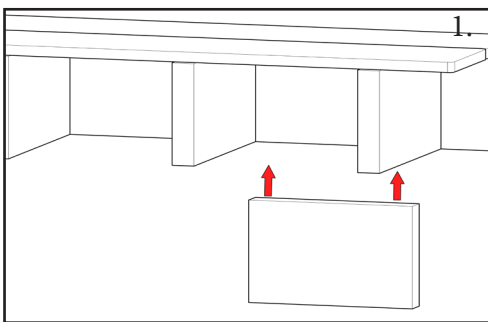
Secure the Keylink Fascia Mount bracket to the outer joist/surface, using the recommended fastening method described below.

Recommended Fastening Method For Wood

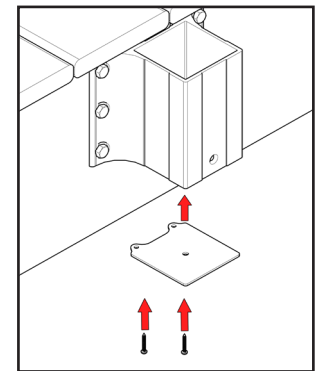
1. Install additional wood board behind the joist that the bracket will be mounted to (for line and inside corner only. Outside corner bracket is installed without additional boarding)
2. Mark and drill 3/8" holes for each bolt location
3. For Line mount only, install 1 under deck bracket
4. Insert 3/8" bolts with flat washers & hex nut and tighten

Recommended Fastening Method For Concrete

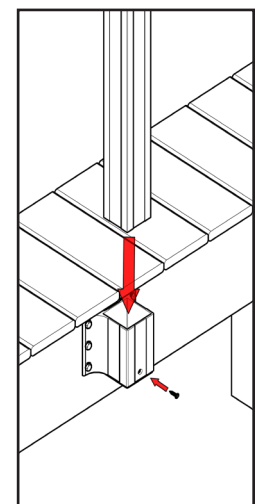
1. Mark and drill 15/64" pilot holes for each bolt location
2. insert and tighten 3/8" lag bolt (must be at least 2" in length)



Step 2: Fasten the bottom cap plate to the bottom of the Keylink Fascia Mount bracket with #8 x 1" pan head screws



Step 3: Insert the post into the Keylink Fascia Mount Bracket and fasten the post to the bracket with #10 x 1" flat head self drilling screw.



Step 4: Fully tighten bracket to mounting surface. Be sure not to over tighten fastener