

# LOCKS & HARDWARE

2021/22

GATE  
LOCKS

---

GATE  
HINGES

---

GATE  
ACCESSORIES

---

GATE  
CLOSERS

---

WWW.GATEMASTERLOCKS.COM

 **GATEMASTER**  
MAKING GATE HARDWARE SIMPLE



**Simple innovation**  
Custom-designed for ease-of-use



**Practical performance**  
Built to get the job done



**Robust construction**  
Products that are built to last




Founded in 1995, Gatemaster is a UK manufacturer of an innovative range of locks, closers and hardware for metal gates.

**We want gate professionals all around the world to see Gatemaster products as their first alternative because of their reliability, durability and convenience in installation.**

**Get in contact with our specialist sales team for any queries.  
Call +44 (0)1243 558580 or email [sales@gatemasterlocks.com](mailto:sales@gatemasterlocks.com)**



A 3D-rendered globe in shades of blue and teal, showing the continents. The globe is positioned on the left side of the page, with the text on the right.

Gatemaster was born from a vision that is still central to everything we do:

**“For gate professionals all around the world to see Gatemaster products as their first alternative, because of their reliability, convenience in installation, and practical ease of use.”**

We’re all about making things simple, robust and fit for purpose. We believe this is what you as gate manufacturers are looking for, something that is easy and quick to fit, does its job well, and lasts a long time.

We’re also constantly developing and introducing new products in line with feedback from our customers, expanding and challenging our own offering and approach to become the very best in the world.




**Head Office**

Unit 5 Dickinson Place  
Durban Road Industrial Estate  
Bognor Regis  
West Sussex  
PO22 9QU  
United Kingdom




1. Gate Locks	8
2. Gate Hinges	42
3. Gate Accessories	48
4. Gate Closers	60



Our aim is to become the go-to for gate manufacturers all around the world, not only because of great products, but because our service and backup is exceptional everyday.

We're a family owned business, and for this reason we prefer to look at the long-term perspective over momentary gains. Our goal is to build partnerships relying on our core values: **Honesty, Added value, Highly responsive service** and a **Problem-solving approach**







Our range of locks for metal and wooden gates is designed for easy installation and maximum convenience. Simply drill 3 holes in the gate frame and bolt the lock on with the fixings supplied.



**Superlock**  
**Slim & Secure**

**page 10**

The Gatemaster Superlock, our newest range and the slimmest bolt-on lock on the market. Whilst smart and stylish, these locks couple with toughness and durability to be a world-class range.



**Select Pro Weld-In**  
**Seamless Security**

**page 22**

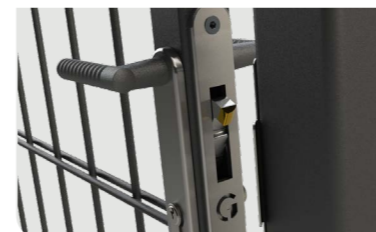
A weldable lock range for any steel gate, giving an unobtrusive and highly secure solution.



**Wooden Gate Locks**  
**Timber Solutions**

**page 28**

Our locks for wooden gates take the nature of timber into consideration, providing ultimate adjustability and reliability.



**Mortice Lock**  
**Concealed Security**

**page 34**

The Gatemaster Mortice Hook lock is a robust all-stainless steel mortice lock designed for fitting into steel box section.



**Electric Locks**  
**Electro-Magnetic Power**

**page 38**

Our electro-magnetic lock comes fitted with simple mounting brackets, ensuring an easy way to incorporate electronic locking into any gate.



**Lock Handles**  
**Select Your Style**

**page 40**

We offer a range of handles to suit every style, from contemporary to ornamental and everything in between.

## Superlock Range Slim & Secure

The Gatemaster Superlock, our newest range and the slimmest bolt-on lock on the market. Whilst smart and stylish, these locks couple with toughness and durability to be a world-class range.



- 1**

Slim profile means the lock fits into small gaps
- 2**

Easy fitting, just drill 3 holes and bolt the lock on
- 3**

Available with a range of accessory options
- 4**

Made with removable latch bolt for easy installation
- 5**

Stainless steel for maximum corrosion resistance



<b>BLD Latch Deadlock</b>	<b>12</b>
<b>BD Deadlock</b>	<b>13</b>
<b>BDG Digital Double Sided</b>	<b>14</b>
<b>BDGS Digital Single Sided</b>	<b>15</b>
<b>BQK Key Quick Exit</b>	<b>16</b>
<b>BQDG Digital Quick Exit</b>	<b>17</b>
<b>Superlock Keeps</b>	<b>19</b>
<b>Superlock accessories</b>	<b>20</b>



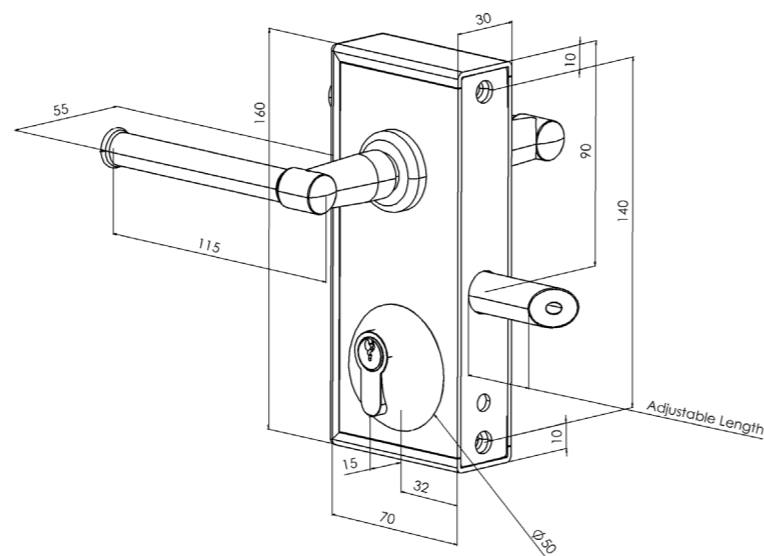




## Superlock bolt-on latch deadlock

The bolt on latch deadlock has both the convenience of a latch and the security of a deadlock, while its slim 70mm width means the lock will fit into most gate designs.

- Secure – Single stainless steel latchbolt which latches 15mm into the gate post and then moves to 30mm when deadlocked
- Marine grade – Made from stainless steel and brass, the lock is guaranteed to stand up to all weathers
- Adaptable – Slim 70mm case means this lock can suit a variety of different gate styles
- Convenient – Latchbolt is adjustable in length and can be rotated for left or right handed gates
- Reliable – Supplied with a guide plate with brass bearing to ensure the lock lasts!
- Available in two sizes – 1030 for 10 to 30mm flat bar or box section gate frames and 4060 for 40 to 60mm gate frames
- Supplied with handles – See handle options on page 21
- Use with a Superlock keep to increase security and product life (see p. 19)



### AVAILABLE VERSIONS

- |         |                         |
|---------|-------------------------|
| BLD1030 | To fit 10-30mm profiles |
| BLD4060 | To fit 40-60mm profiles |

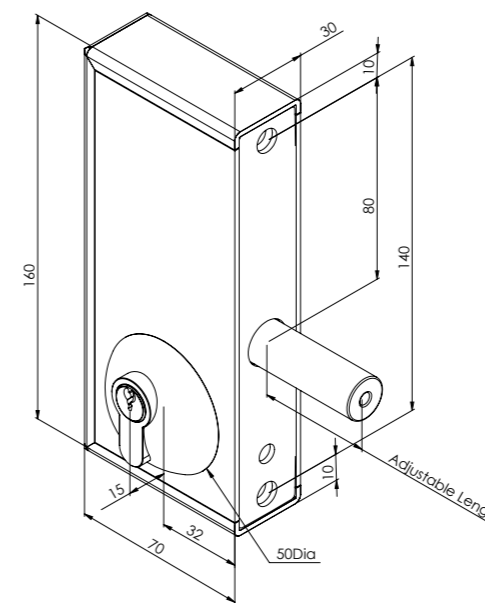
For handle options see page 21 - simply add handle code to end of lock code for ordering.



## Superlock bolt-on deadlock

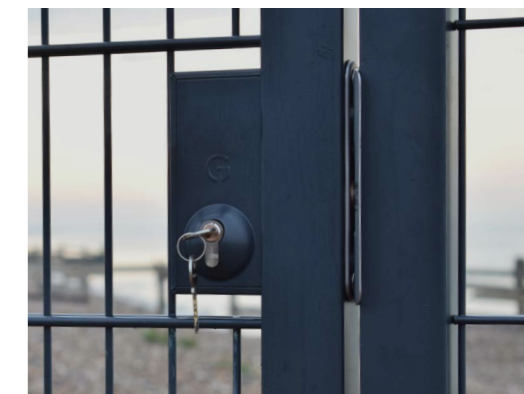
The deadlock version of the Superlock has a single 15mm locking action for maximum security and simplicity, while its slim 70mm depth means the lock will fit into most gate designs.

- Easy to fit – Slim 70mm wide lock case along with adjustable and removable deadbolt ensure easy fitting to gates.
- Simple deadlock action – Gate remains open until key is turned.
- Marine grade – Made from stainless steel and brass to ensure maximum corrosion resistance
- Convenient – Deadbolt is adjustable in length for precise fitting on site
- Reliable – Supplied with a guide plate with brass bearing to ensure the lock lasts!
- Available in two sizes – 1030 for 10 to 30mm flat bar or box section gate frames and 4060 for 40 to 60mm gate frames



### AVAILABLE VERSIONS

- |        |                         |
|--------|-------------------------|
| BD1030 | To fit 10-30mm profiles |
| BD4060 | To fit 40-60mm profiles |

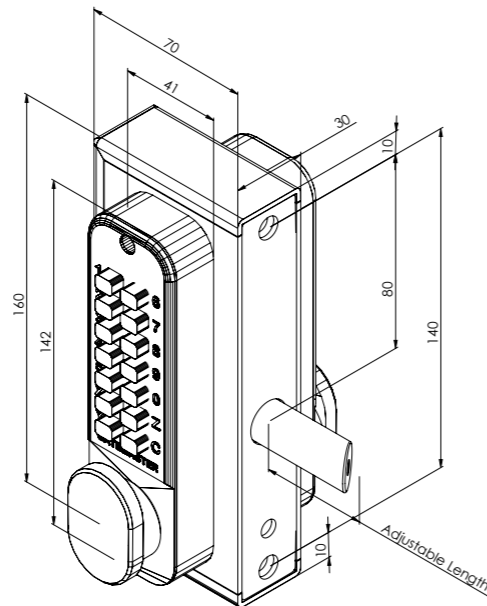




## Superlock digital double sided

The digital double sided Superlock combines the convenience of a mechanical keypad with the ease of installation of the Superlock range. To fit, simply drill three holes in the gate frame and bolt the lock on.

- No power needed – Mechanical keypads for a quick and easy install
- Adaptable – Slim 70mm case means this lock can suit a variety of different gate styles
- Secure – Latchbolt projects up to 15mm into the gate post which increases security and gives more tolerance
- Long lasting – Stainless steel mechanism and bolt support plate with brass bearing ensures lock will last!
- Adjustable – Latchbolt can be adjusted in length and set to left hand or right hand
- Auto-latching – Close the gate and the latchbolt latches into the gate frame. To open the gate – enter the code and turn the handle
- Keypad on both sides – Also available as a keypad and rear handle, see opposite page
- Gate post strike plate supplied for smooth latching action
- Use with a Superlock keep to increase security and product life (see p. 19)



### AVAILABLE VERSIONS

- |         |                      |
|---------|----------------------|
| BDG1030 | To fit 10-30mm frame |
| BDG4060 | To fit 40-60mm frame |



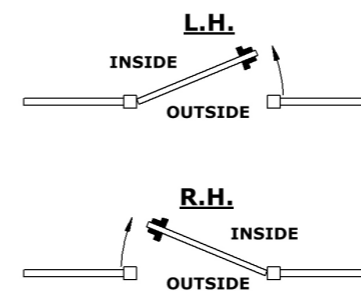
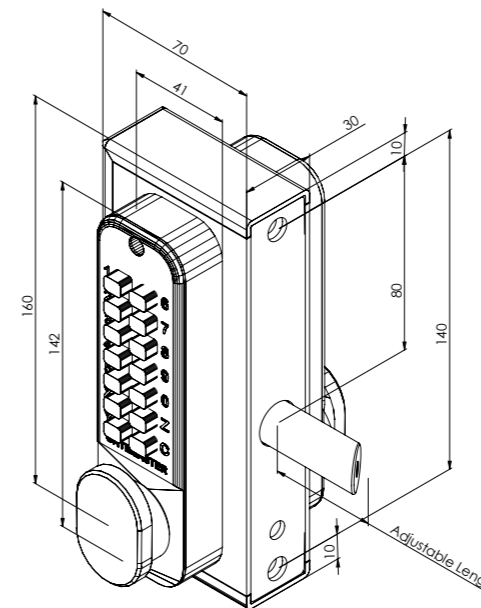
## Superlock digital single sided

The slim Superlock digital single sided is perfect for fitting to box section metal gate frames. Simply bolt the lock onto the gate frame and adjust the latchbolt to suit your gate.



*Left Hand Lock Shown*

- Convenient – Digital access on one side and a rear handle makes accessing the gate convenient
- Easy to fit – Slim 70mm case designed to fit a wide range of gate applications
- Secure – Stainless steel latchbolt which latches 15mm into the gate post
- Long lasting – Stainless steel mechanism and bolt support plate with brass bearing ensures lock will last!
- Adjustable – Latchbolt can be adjusted for different box section size
- Reliable – Supplied with a guide plate with brass bearing to ensure ultimate longevity
- Keypad one side, handle on the other – Also available with keypad both sides, see opposite page
- Gate post strike plate supplied for smooth latching action
- Use with a Superlock keep for extra security and product life (see p. 19)



### AVAILABLE VERSIONS

- |           |                            |
|-----------|----------------------------|
| BDGS1030L | To fit 10-30mm, left hand  |
| BDGS4060L | To fit 40-60mm, left hand  |
| BDGS1030R | To fit 10-30mm, right hand |
| BDGS4060R | To fit 40-60mm, right hand |







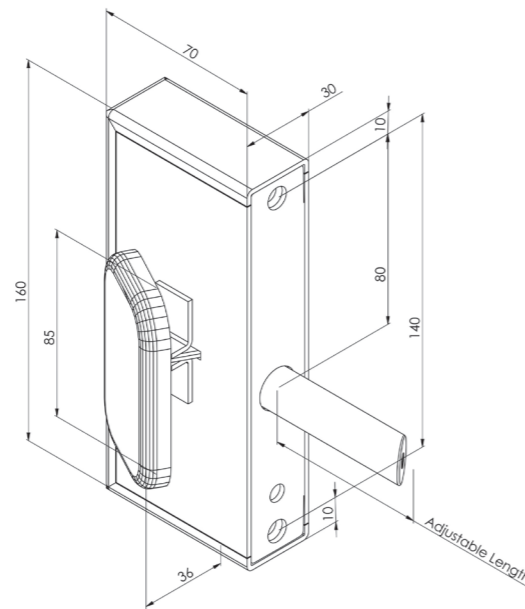
## Superlock bolt-on quick exit key access

Require a gate lock that facilitates a quick exit from a gate? The Superlock quick exit has a push pad to allow for easy exit, this version of the lock comes with a key entry, a digital keypad entry is also available.

- Secure – Stainless steel latchbolt that latches 15mm
- Adaptable – Slim 70mm case means this lock can suit a variety of different gate styles
- Reliable – Stainless steel construction for corrosion resistance and supplied with a bolt support plate to increase product life
- Available in two sizes – 1030 for 10 to 30mm flat bar or box section gate frames and 4060 for 40 to 60mm gate frames
- Gate post strike plate supplied for smooth latching action
- A shroud is also available to restrict access to the pad from outside the gate (see p. 20)
- Use with the Superlock keep to increase security and product life (see p. 19)

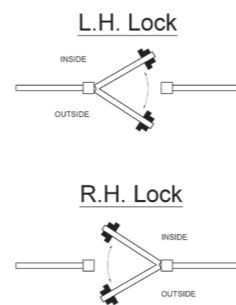
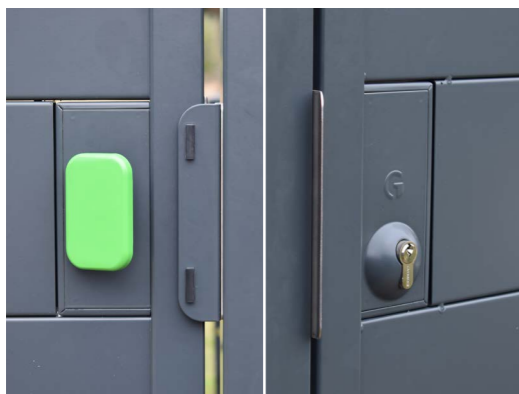


**Right Hand Lock Shown**



### AVAILABLE VERSIONS

BQK1030L	To fit 10-30mm, left hand
BQK4060L	To fit 40-60mm, left hand
BQK1030R	To fit 10-30mm, right hand
BQK4060R	To fit 40-60mm, right hand



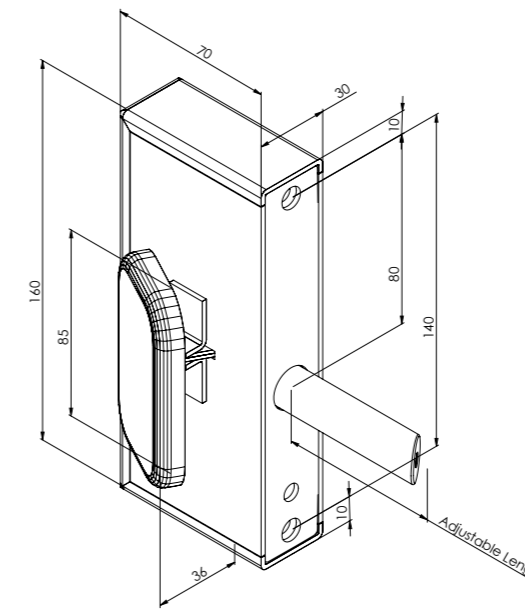
## Superlock bolt-on quick exit digital access

For communal areas where rapid exit is needed, the digital access quick exit lock is a great solution, providing both the benefit of keyless entry and an easily visible push pad from inside.

- No power needed – Mechanical keypads for quick and easy installation
- Reliable – Made from stainless steel for corrosion resistance and supplied with a bolt support plate to increase product life
- Secure – 16mm diameter locking bolt with a 15mm latching movement
- Available in two sizes – 1030 for 10 to 30mm flat bar or box section gate frames and 4060 for 40 to 60mm gate frames
- Adaptable – Slim 70mm case means this lock can suit a variety of different gate styles
- Gate post strike plate supplied for smooth latching action
- A shroud is also available to restrict access to the pad from outside the gate (see p. 20)
- Use with the Superlock keep to increase security and product life (see p. 19)

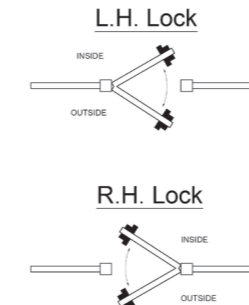


**Right Hand Lock Shown**



### AVAILABLE VERSIONS

BQDG1030L	To fit 10-30mm, left hand
BQDG4060L	To fit 40-60mm, left hand
BQDG1030R	To fit 10-30mm, right hand
BQDG4060R	To fit 40-60mm, right hand





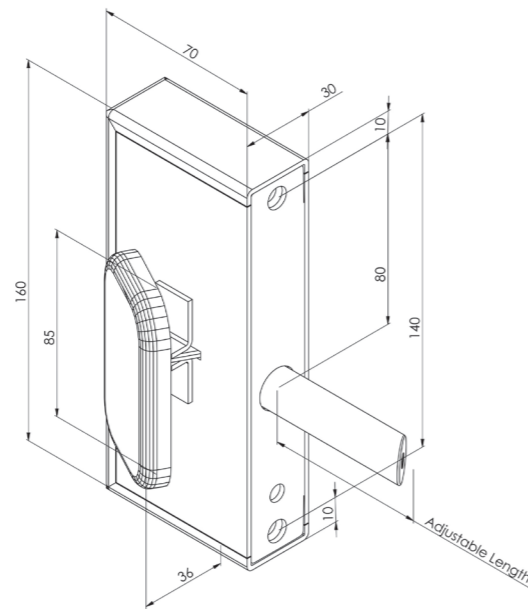
## Superlock bolt-on quick exit no outside access

Where a gate is only used for exiting a property, the No Access Quick Exit lock is a perfect solution. With a green quick exit pad from the inside only, it provides a secure and unobtrusive locking mechanism.

- Adaptable – The slim 70mm case depth means this lock can suit a variety of gate styles
- Secure – Stainless steel latchbolt that latches 15mm
- Reliable – Stainless steel construction for corrosion resistance and supplied with a bolt support plate to increase product life
- Available in two sizes – 1030 for 10 to 30mm flat bar or box section gate frames and 4060 for 40 to 60mm gate frames
- Gate post strike plate supplied for smooth latching action
- A shroud is also available to restrict access to the pad from outside the gate (see p. 20)
- Use with a Superlock keep to increase security and product life (see p. 19)

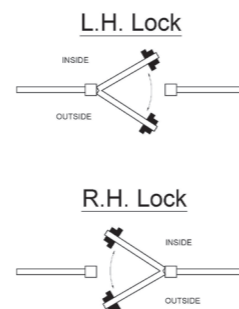


**Right Hand Lock Shown**

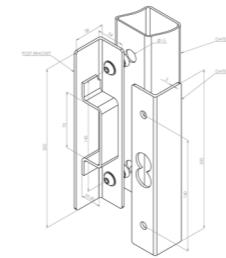


### AVAILABLE VERSIONS

BQ1030LNA	To fit 10-30mm, left hand
BQ4060LNA	To fit 40-60mm, left hand
BQ1030RNA	To fit 10-30mm, right hand
BQ4060RNA	To fit 40-60mm, right hand



## Superlock keeps

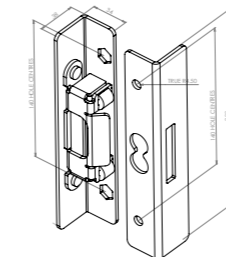


This keep works with all of the Superlock range. Simply mount the gate slam plate onto the gate frame when fixing the lock and use the expanding fasteners to fix the keep onto the gate post.

- Secure – Prevents access to the latchbolt
- Versatile – Gate keep is simple and easy to fit to a wide range of applications.
- Improves gate appearance – Slim design enhances the look of the gate

**BSK** Superlock keep

## Superlock interlocking keep

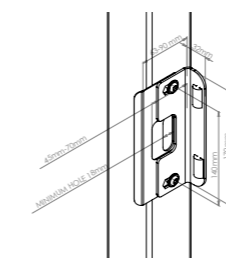


The clever interlocking design of this keep means that the gate cannot be levered off the post once the gate is closed. One section bolts in front of the lock and the post bracket is easy to fit with 2 expanding fasteners.

- Secure – Prevents the gate being levered or spread apart
- Easy fitting – Simply bolts on with fixings supplied
- Improves gate appearance – Slim design enhances the look of the gate

**BSKS** Superlock interlocking keep

## Superlock gapless keep



The gapless keep is a great option when there is a small gap between the gate and the post, acting as both a security measure and a gate stop. Simply drill 2 holes in the post and bolt on with our innovative expanding fasteners.

- Adjustable – Can be used with a variety of gate thicknesses
- Easy to fit – Simply bolt to the post with the fixings supplied
- Quiet closing – Includes rubber buffers to stop the gate banging

**BSKG** Superlock gapless keep

GATE LOCKS

SUPERLOCK RANGE





## Superlock quick exit shroud

This security shroud is designed to prevent access from the outside of the gate, meaning that intruders cannot reach round and operate the lock. No fixings are required, simply bolt the shroud on in front of the lock.

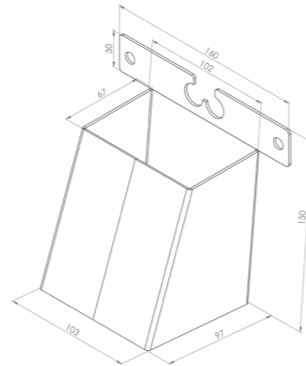
To be used in conjunction with the Superlock Quick exit gate locks (see p. 16-18).



**BQS** Superlock quick exit shroud



*Shown in gate with BQDG (see p. 17)*



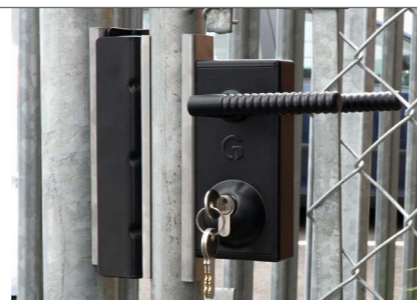
## Round bar adapter

The round bar adapter enables any of the Superlock range to be easily fitted to a round gate section.

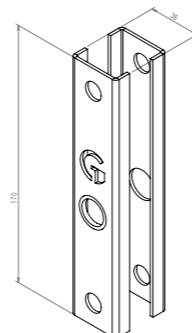
The stainless steel construction ensures longevity and corrosion resistance.



**BRBA** Round bar adapter



*Shown in gate with keep (BSK) and BLD lock*



## Superlock handles

**R** Round handle set



**P** Profiled handle set



**F** Flat sided handle set



**O** Ornamental handle set



**T** Twisted handle set



**RS** Round handle set, silver



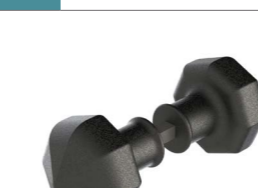
**PS** Profile handle set, silver



**SSH** Stainless steel handle set



**OK** Octagon knob handle set



**VIEW MORE HANDLE  
OPTIONS ON PAGE 41**

## Select Pro Weld-in Seamless Security

Weld-in gate locks are an unobtrusive but secure method of locking a gate. Simply weld the steel case into the gate frame and paint with the gate, the mechanism slides in afterwards.

A solution for both bespoke and mass-produced gates, weld-in gate locks come in a variety of styles and widths. The design enables a section of the gate to be cut out and the lock welded in place, flush with the front and sides of the box section.



SWLD Latch Deadlock	23
SWD Deadlock	24
SWKLLT Long Throw Keylatch	25
Select Pro Weld-in Accessories	26



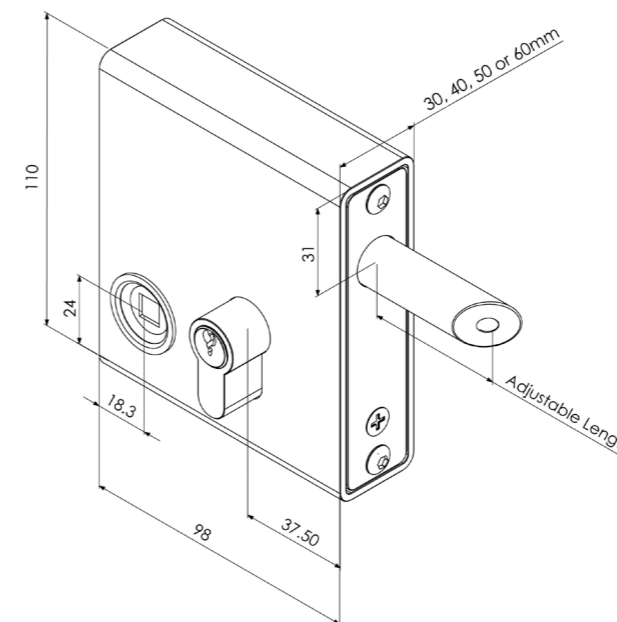
## SELECT PRO WELD-IN



### Select Pro weld-in latch deadlock

The weld-in latch deadlock has a latch and deadlock on a single bolt. The handles operate the latch and the key can then be turned to extend the deadbolt 30mm into the gate post to secure the gate.

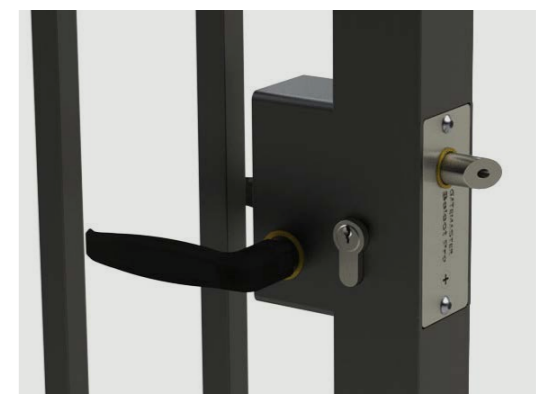
- Secure – Stainless steel latchbolt which springs 13mm into the gate post and then moves to 30mm when you turn the key and deadlock the lock
- Adjustable – Latchbolt is adjustable in length for precise fitting on site and can be rotated for left or right handed gates
- Strong – Welding the lock into the gate is the most secure method of fixing a lock into a gate
- Durable – Fitted with a brass latchbolt bearing to ensure long lasting, smooth action
- Available in 4 widths to suit popular gate frame sizes – 30mm, 40mm, 50mm and 60mm
- Supplied with gate post strike plate



*See diagram on p. 26 for how to measure the gate frame*

#### AVAILABLE VERSIONS

SWLD1630	30mm wide gate frames
SWLD1640	40mm wide gate frames
SWLD1650	50mm wide gate frames
SWLD1660	60mm wide gate frames





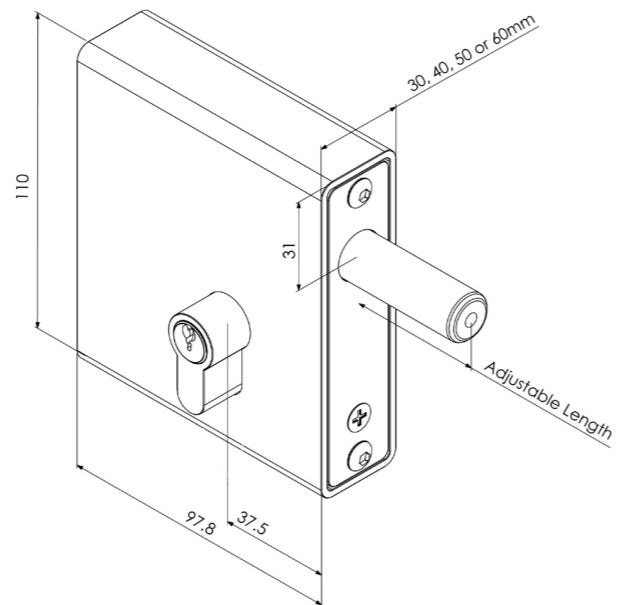


## Select Pro weld-in deadlock

Solid and reliable lock with a single keyed deadlocking action that moves 30mm with one turn of the key.

- Secure – Stainless steel deadbolt which moves 30mm with one turn of the key.
- Adaptable – Deadbolt is adjustable in length for precise fitting on site.
- Strong – Welding the lock into the gate is the most secure method of fixing a lock into a gate
- Keyed both sides for easy access
- Lock case is made from 2.5mm steel.
- 4 lock case widths available to suit different box section sizes – 30mm, 40mm, 50mm and 60mm

**See diagram on p. 26 for how to measure the gate frame**



### AVAILABLE VERSIONS

SWD1630	30mm wide gate frames
SWD1640	40mm wide gate frames
SWD1650	50mm wide gate frames
SWD1660	60mm wide gate frames

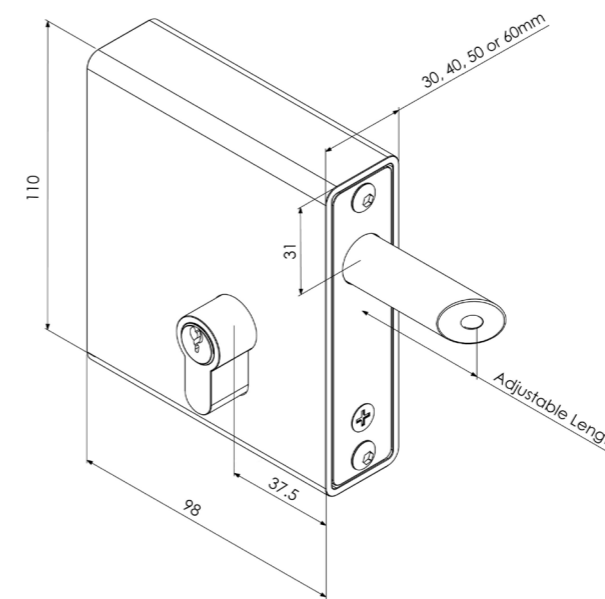


## Select Pro weld-in long throw keylatch

The Select Pro long throw keylatch is perfect for securing the gate every time you shut it behind you. Turn the key to open the gate and it will automatically lock when you close the gate. Ideal for securing communal gates every time the gate is shut.

- Secure – Gate can be slammed shut and requires the key to open every time
- Strong – Stainless steel latchbolt springs 20mm into the gate post, the long throw increases extra security
- Adaptable – Latchbolt can be rotated for left and right handed gates and is adjustable in length for precise fitting on site
- Durable – Fitted with a brass latchbolt bearing to ensure long lasting, smooth action
- Available in 4 lock case widths to suit popular box section sizes. 30mm, 40mm, 50mm and 60mm

**See diagram on p. 26 for how to measure the gate frame**



### AVAILABLE VERSIONS

SWKLLT1630	30mm wide gate frames
SWKLLT1640	40mm wide gate frames
SWKLLT1650	50mm wide gate frames
SWKLLT1660	60mm wide gate frames

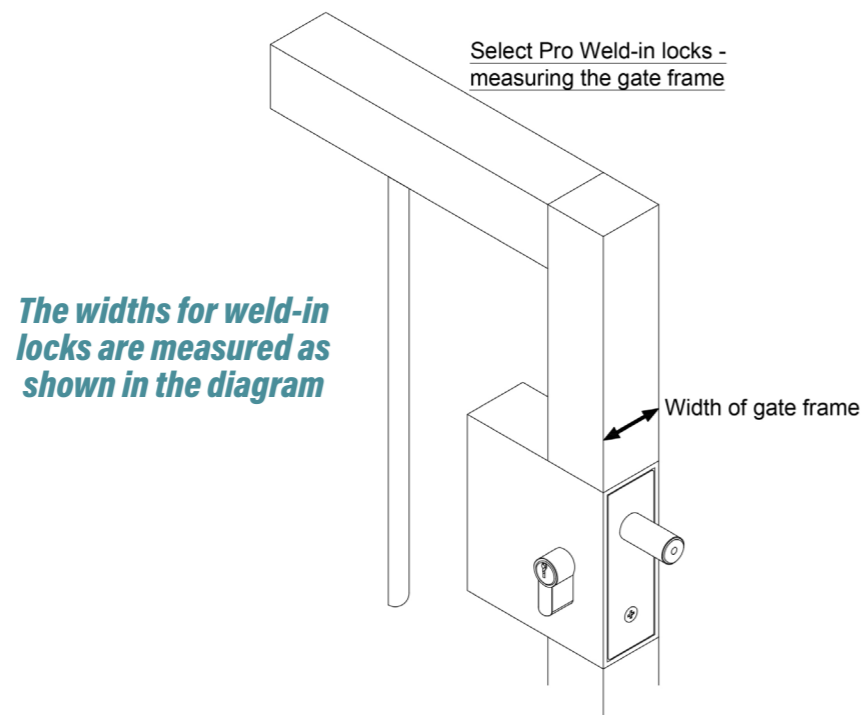


GATE LOCKS

SELECT PRO WELD-IN



## Measuring the gate frame



## Stainless Steel Escutcheon

Manufactured from stainless steel, this escutcheon helps protect the cylinder and covers up the hole made when installing the lock.

- Dimensions: 68mm height x 32mm width

**SSE** Stainless Steel Escutcheon



## Security Escutcheon to Weld

The security escutcheon protects the cylinder from attack. Commonly used with the weld-in locks to increase security.

- Dimensions: 46mm height x 30mm width

### AVAILABLE VERSIONS

WSE04	4mm thickness
WSE08	8mm thickness
WSE12	12mm thickness



## SELECT PRO WELD-IN ACCESSORIES



## Select Pro Handles



**Profiled Handle**  
SEE PAGE 41



**Twisted Handle**  
SEE PAGE 41



**Stainless Steel Handle**  
SEE PAGE 41





## Wooden Gate Locks Timber Solutions

Our locks for wooden gates take the nature of timber into consideration, providing ultimate adjustability and reliability.

With keyed or keyless locks available, the ranges can be easily installed on a new gate or as a retro-fit option on an existing gate.



<b>BDGW Double Sided Digital</b>	<b>29</b>
<b>BDGSW Single Sided Digital</b>	<b>30</b>
<b>SLDS Superlatch Digital</b>	<b>31</b>
<b>GLB Gate Locking Bolt</b>	<b>32</b>



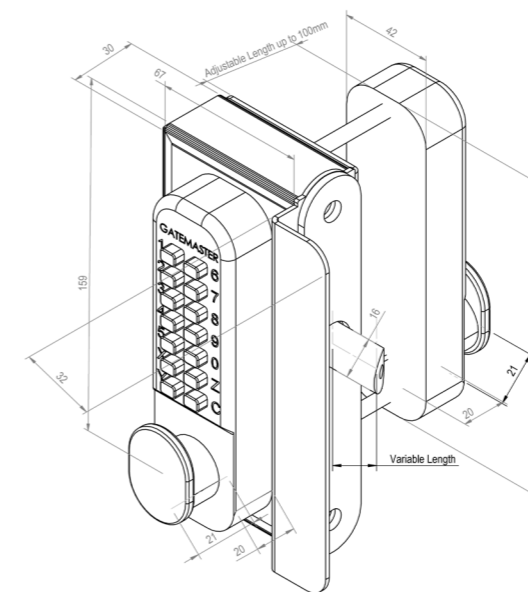
## Gatemaster surface fixed digital gate lock



*Right hand lock shown*

A marine grade digital gate lock designed for easy surface fitting to wooden or metal gates. Easy to install by simply drilling 3 holes in the gate frame and using the fixing screws supplied. Digital gate locks are a convenient method of locking a gate as no keys are required to open it. The code can be changed to any combination needed.

- No power needed – Mechanical keypads for a quick and easy install
- Secure – Latchbolt projects up to 20mm into the keep which increases security and gives more tolerance
- Easy to fit – Supplied with a keep for easy fitting
- Auto-latching – Close the gate and the latchbolt latches into the gate frame. To open the gate – enter the code and turn the handle
- Also available with a lever handle from inside - see p. 30



### AVAILABLE VERSIONS

BDGWL	Left hand
BDGWR	Right hand

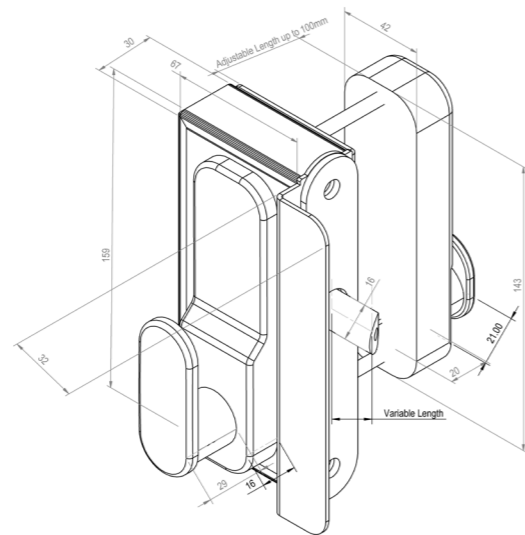




## Surface fixed digital gate lock single sided

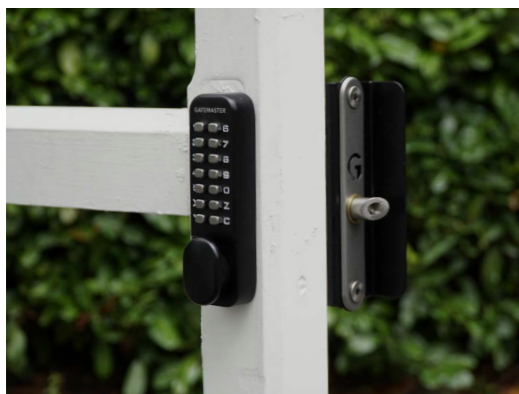
A marine grade digital gate lock designed for easy surface fitting to wooden or metal gates, with a mechanical keypad outside and a free exit turn handle on the inside. Digital gate locks are a convenient method of locking a gate as no keys are required to open it. The code can be changed to any combination needed.

- No power needed – Mechanical keypads for a quick and easy install
- Secure – Latchbolt projects up to 15mm into the keep which increases security and gives more tolerance
- Easy to fit – Supplied with a keep for easy fitting
- Auto-latching – Close the gate and the latchbolt latches into the gate frame. To open the gate from the outside – enter the code and turn the handle. From inside the lever handle can be turned at any time
- Keep box supplied for extra security

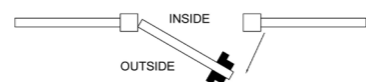


### AVAILABLE VERSIONS

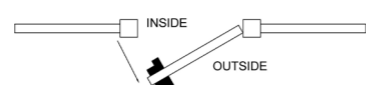
BDGSWL	Left hand
BDGSWR	Right hand



### L.H. Lock



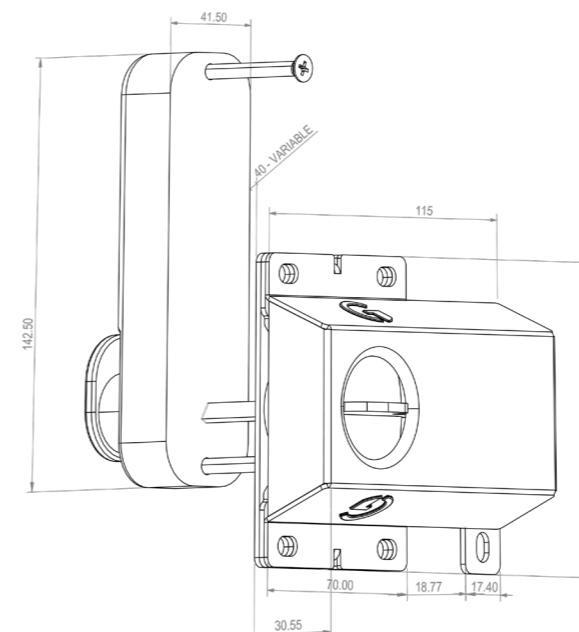
### R.H. Lock



## Superlatch surface fixed digital latch

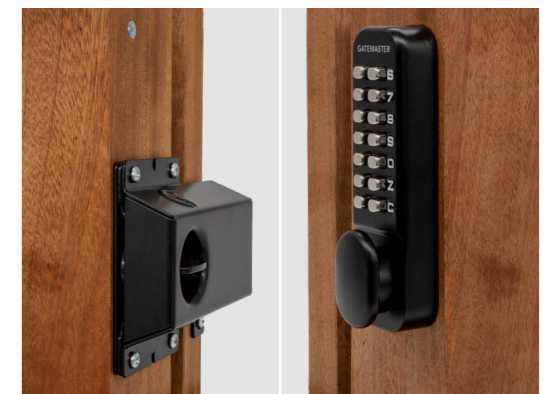
The Superlatch digital is a simple push button locking option that is a great alternative to fitting low cost keypads to your gate. With a marine grade keypad on the outside of the gate and a fully stainless steel latch on the inside, the innovative design enables easy and secure locking without a complicated installation process.

- Easy to fit – Simply drill 3 holes through the gate and screw on
- Auto-latching – Close the gate and the latchbolt latches into the gate frame
- Secure – Latch is protected by the integrated shroud
- Durable – Marine grade keypad and fully stainless steel latch with powder coated finish ensures long product life
- Reversible – The latch can simply be flipped over for left or right handed gates
- Versatile – Can be fitted to wooden or metal gates, indoors or out



### SLDS

Superlatch digital



GATE LOCKS

WOODEN GATE LOCKS

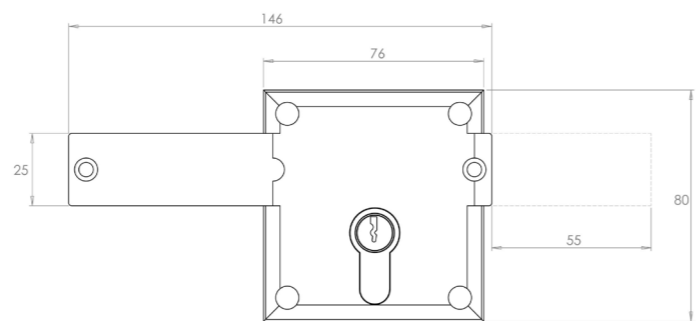
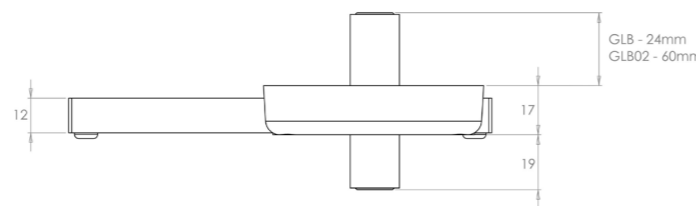
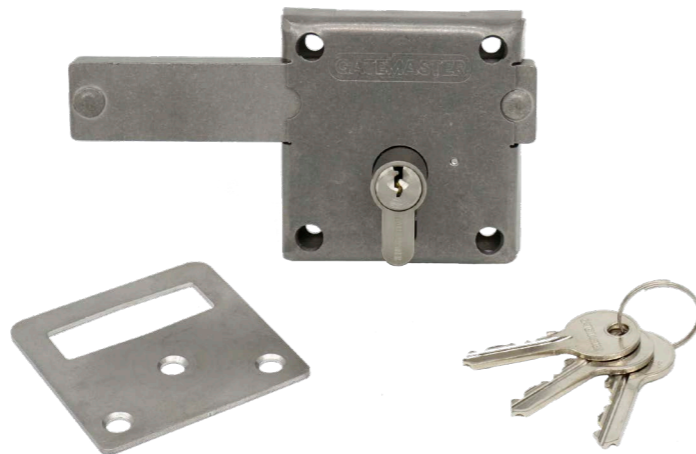




## Gatemaster gate locking bolt

A simple and robust gate lock which fits to the surface of the gate. Easy to install by simply screwing onto the inside of a gate. Suitable for both metal and wooden gates. Requires you to turn the key behind you to deadlock the gate.

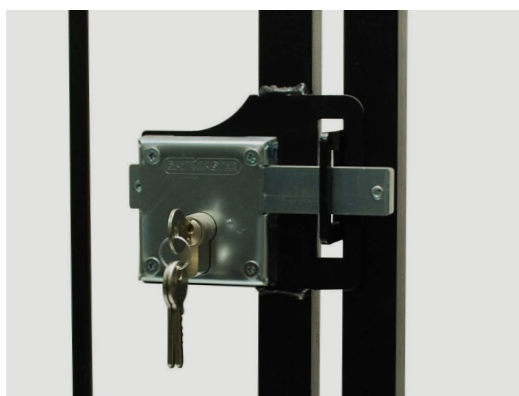
- Keyed both sides for easy access
- Non-handed – Suits left hand and right hand gates or doors
- Long throw – 53mm movement with one turn of the key
- Stainless steel – Suitable for all outdoor environments
- Weld-in lock plates available – These can be welded or screwed on the gate and have the correct holes and fixings for fixing the gate lock. The slotted lockplate is used with the keep plate and is ideal for securing double gates (see opposite page)
- Screw fixed keep plate (GLBKT) supplied with the lock



**The lock eurocylinder which extends from the back of the lock is available in 2 lengths for different gate thicknesses.**

### AVAILABLE VERSIONS

GLB	Eurocylinder extends 24mm
GLB02	Eurocylinder extends 60mm

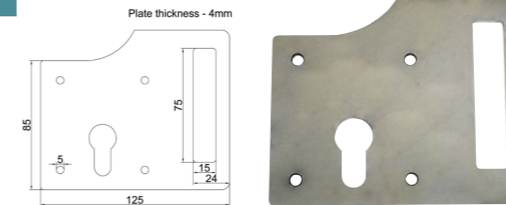


**Shown in gate with slotted lockplate (GLBS, see opposite page)**



## Gatemaster gate locking bolt accessories

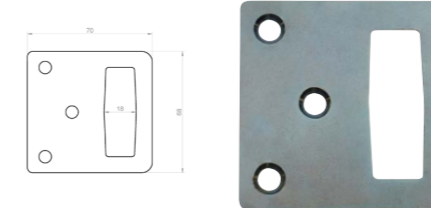
### GLBST



### Slotted screw fixed lock plate

A keep plate is fixed to the second gate so that it passes through the slot in the lock plate and is secured with the deadbolt. This ensures the gates cannot be 'sprung' open. Screw fixed and electro-galvanised finish for wooden gates.

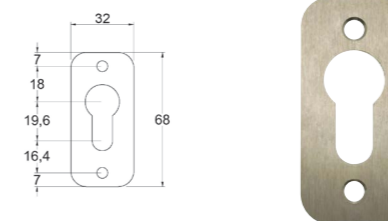
### GLBKT



### Screw fixed keep plate stainless steel

(Supplied with lock) fit to the gate post to receive the locking bolt.

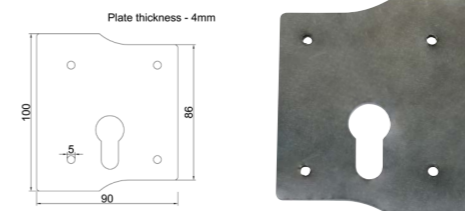
### SSE



### Screw fixed escutcheon stainless steel

Fits around the eurocylinder to protect it from attack.

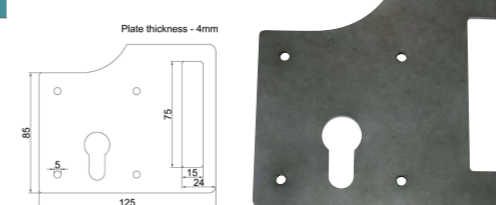
### GLBP



### Standard lock plate

Used for single gates – supplied with lock fixing screws. Weld to the gate and fit the lock once the gate is galvanised and/or painted.

### GLBS

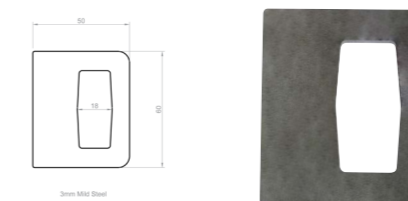


### Slotted lock plate

A keep plate is welded to the second gate so that it passes through the slot in the lock plate and is secured with the deadbolt. This ensures the gates cannot be 'sprung' open.

Also used for extra security on single gates.

### GLBK



### Weldable steel keep plate

Keep plate to be welded to the gate post (screw fixed version GLBKT supplied with lock as standard).

**Mortice Locks**  
**Highly Secure**

Our ML4 mortice hook lock is a revolutionary design incorporating a latch and deadlock in one single hooked bolt. Simply slotted into pre-drilled holes in square box section, the Gatemaster mortice lock is highly secure and protected from vandal attacks, blending well into any gate design.



- 1**

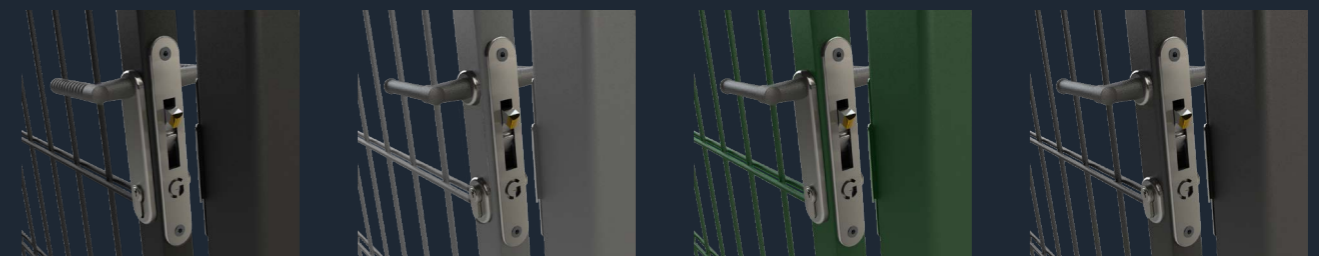
Fits into 40 x 40mm box section or above
- 2**

Available with a full hardware kit
- 3**

Fully stainless steel for corrosion resistance
- 4**

Easy fitting, just slot into pre-cut holes in gate
- 5**

Adjustable latch tip for left and right hand



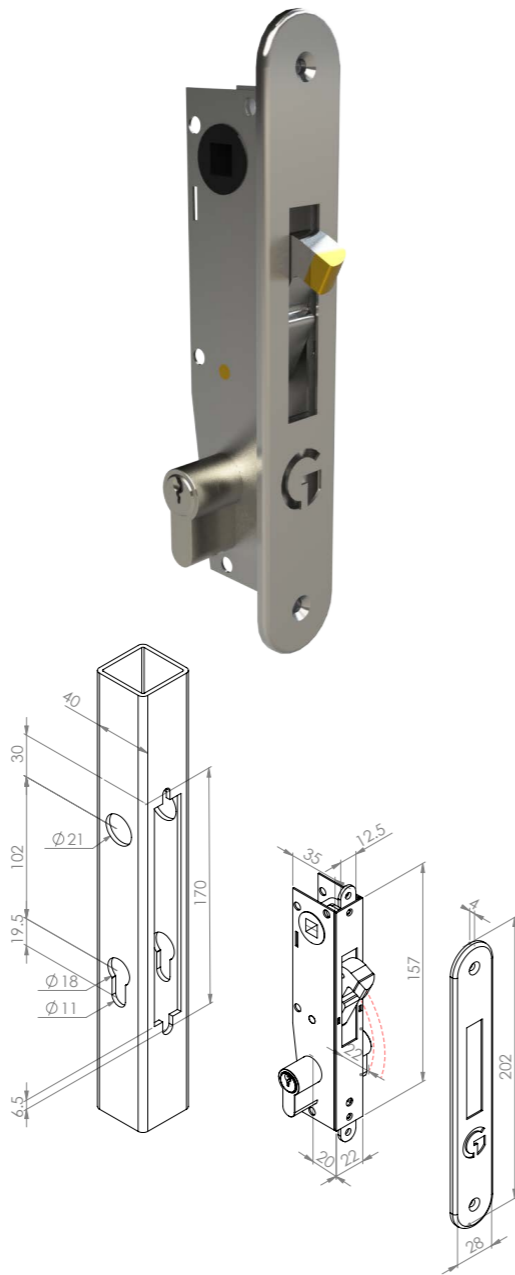




## ML4 mortice hook lock

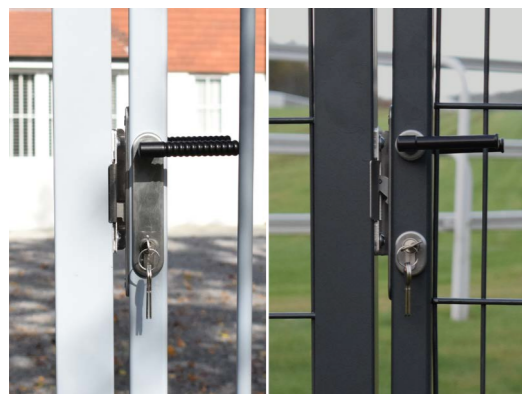
The Gatemaster mortice hook lock is a unique stainless steel lock that incorporates a latch and deadlock in one single-action bolt. Designed for use on a 40x40mm box section, once the section is cut to receive the lock, it can simply be slid in and fixed without any drilling and tapping of the gate needed.

- Durable - Tested to 1,000,000 openings!
- Easy installation – Once the profile is cut the lock is simply slid into place and secured with its own fixings
- Secure – Solid stainless steel hooked bolt resists intruders forcing or levering the gate open
- Rust-proof – High quality stainless steel and brass components
- Universal – Latchbolt is easily adjustable for left and right hand gates
- Simple operation – Latch can be operated with handle or key and deadlocked for security
- Range of styles – Separate cylinder and handle cover for a smart but minimalistic look, or a full one piece cover plate for a stylish, polished finish
- Supplied with a full kit including bolt-on keep, handles, cover plates and euro cylinder



### AVAILABLE VERSIONS

ML4DCP	Kit with dual cover, plain handles
ML4DCO	Kit with dual cover, ornamental handles
ML4FCP	Kit with full cover, plain handles
ML4FCO	Kit with full cover, ornamental handles

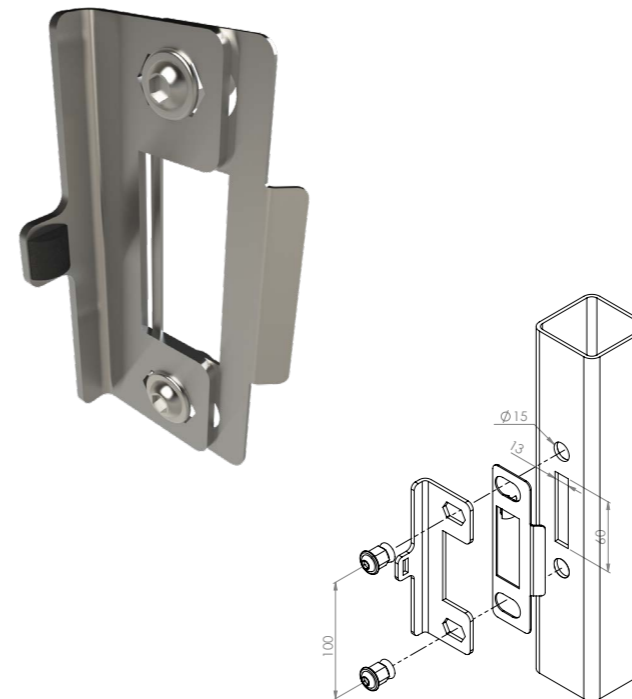


**Left - gate with full cover and ornamental (O) handles**

**Right - gate with dual cover and plain (P) handles**



## Mortice lock keep (included in kit)



This stainless steel keep perfectly complements the mortice hook lock, ensuring security and giving the gate post a finished look.

- Neat and unobtrusive – Covers up the slot in the post and gives a professional finish
- Easy to fit – Simply bolt to the gate post with the innovative expanding fasteners included
- Adjustable – For post sizes from 40-60mm

**MLK** Mortice Lock Keep



## ML4 Handles



**Profiled Handle**

SEE PAGE 41



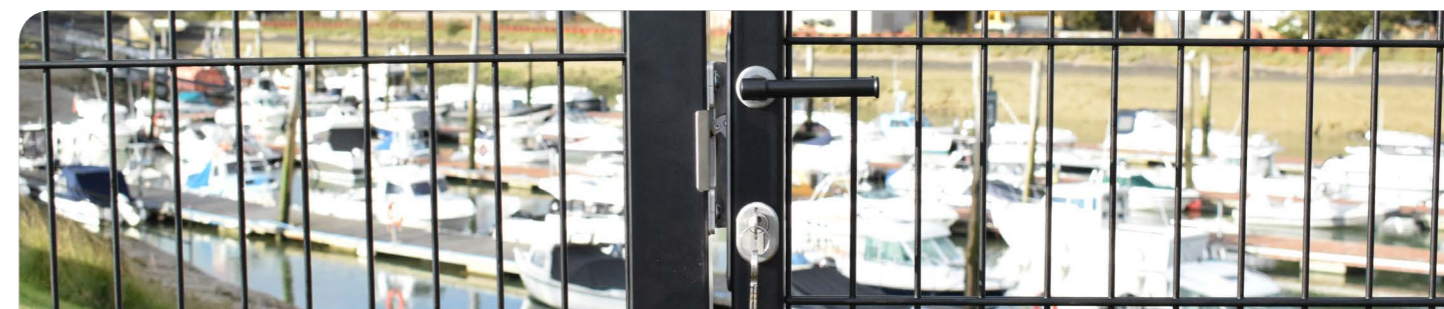
**Ornamental Handle**

SEE PAGE 41



**Stainless Steel Handle**

SEE PAGE 41



## Electric Locks Electro-magnetic power

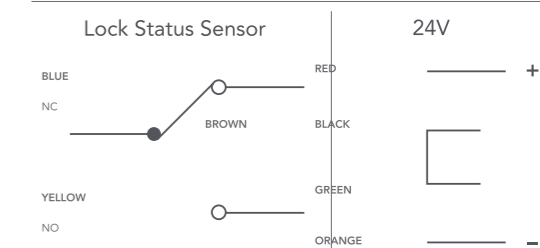
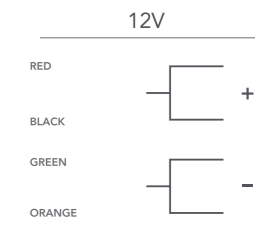
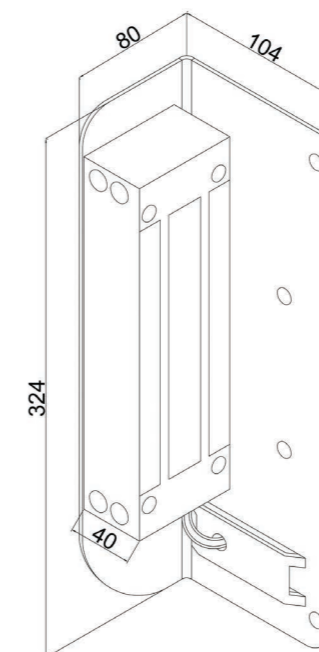
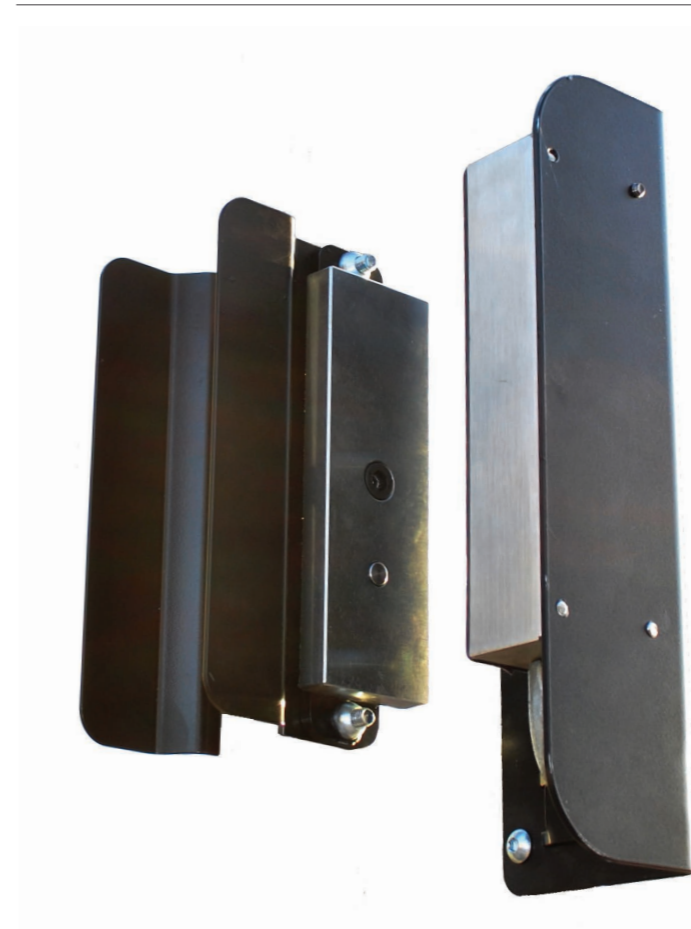
The Gatemaster electro-magnet kit provides an easy and secure solution to locking gates electronically. Designed for outdoor use, the kit can work as part of a larger electronic gate system which can include a range of functions such as electric gate openers and intercom.



## Gatemaster gate maglock system

Simple gate maglock system with fixing plates and handles designed for easy fitting. The maglock can be operated using a separate keypad, switch or proximity fob and is easily incorporated into any access control system. The gate is easily operated using the pull handles included.

- High quality – 545kg holding force stainless steel maglock and powder coated attachment plates with integral pull handles for opening the gate
- Easy to fit – Simply bolt to the gate and wire up, fixings provided
- The maglock incorporates a switch which provides a locked/unlocked signal
- The simplest way to fit a maglock to a gate



AVAILABLE VERSIONS	
EMGK	Gate maglock system





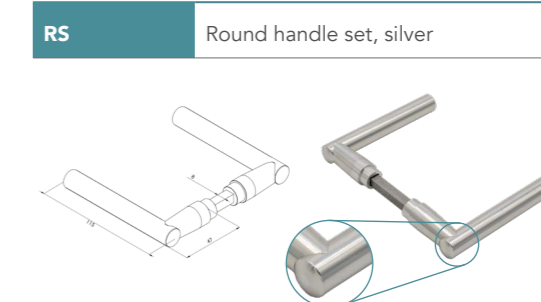
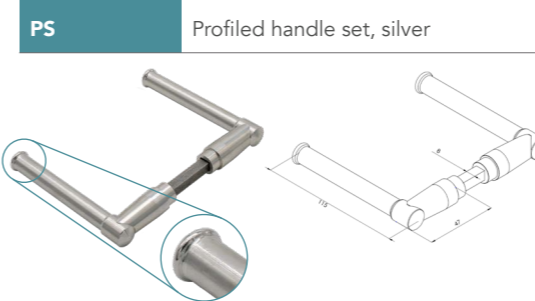
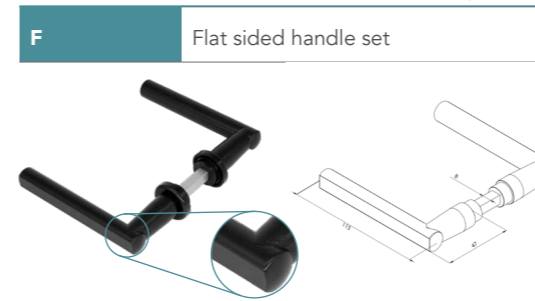
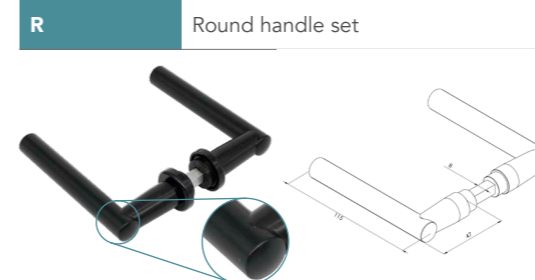
## Lock Handles Select your style

Our range of handles is chosen to suit any style of gate, from ornamental and traditional through to more contemporary and modest designs.

Made from aluminium or stainless steel and built to last, handles can really finish off the look of your gate, which is why we offer a range to suit every taste.



## Plain handle





One of the most important parts of a gate, the hinge plays a crucial role in terms of usability and user safety. We focus on the highest quality materials and top engineering to ensure our hinges not only meet but exceed what is required of them.



**Superhinge**  
**More Power, Less Friction**

page 44

Our Superhinge is one of the strongest and most durable gate hinges in the market, ensuring low-friction operation for many years.



**Four-Way Hinge**  
**Easy Fitting, Ultimate Adjustability**

page 45

Our stainless steel four-way hinge provides high strength and durability whilst enabling easy adjustability in 4 directions, ensuring ultimate ease of installation.



**Stop Hinge**  
**No More Traps**

page 46

The Stop Hinge Set is a durable pivot set that prevents the gate opening more than 100°. This reduces the risk of a crushing point between the gate and post.



**Security Collars**  
**Theft Prevention**

page 47

Our push-fit security collar prevents gate theft with its innovative design. Simply push onto a gate hook above the gate eye to ensure the gate can't be lifted off.



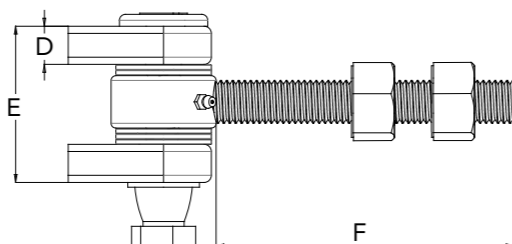
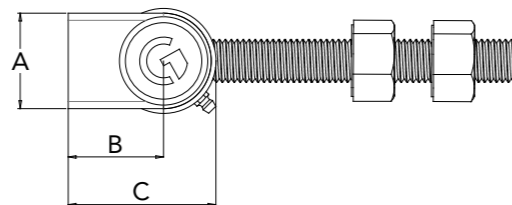


## Gatemaster Superhinge

The Gatemaster Superhinge is one of the most durable gate hinges in the range, tested to 500,000 openings with little to no wear. It incorporates brass bearings within the hinge which ensure a smooth action and guarantee the gate opens and closes reliably with a lifetime guarantee.

- Strength tested – Suitable for gates up to 900kg per pair
- Long lasting – Tested to 500,000 openings with no wear, that's 50 years at an average of 25 openings a day!
- Durable – Low friction, ideal for use with automated gates
- Adjustable – Adjustable bolt for precise gate fitting on site

**GATEMASTER GUARANTEE** – we have proved these hinges have exceptional wear resistance and guarantee to replace any hinge which shows excessive wear up to 20 years after purchase.



### AVAILABLE VERSIONS

SH16	M16 thread	150kg weight limit/pair
SH20	M20 thread	300kg weight limit/pair
SH25	M24 thread	450kg weight limit/pair
SH30	M30 thread	900kg weight limit/pair

	A	B	C	D	E	F
SH16	36mm	36mm	54mm	15mm	58mm	100mm
SH20	40mm	40mm	62mm	16mm	66mm	125mm
SH25	57mm	40mm	69mm	20mm	80mm	150mm
SH30	64mm	45mm	77mm	24mm	94mm	200mm



## Gatemaster Four-Way Hinge

The four-way hinge is a durable and corrosion resistant solution enabling adjustability in four directions, which ensures easy fitting to any gate. Available with weld-in plates or as a bolt-on hinge incorporating our self-expanding fasteners.

- High quality stainless steel construction with brass bearing for smooth functionality
- Easy installation – Adjustment in 4 directions
- Durable – Low friction for ultimate longevity
- Clean look with stainless steel finish



**COMING SOON!**

*Enquire for further details*

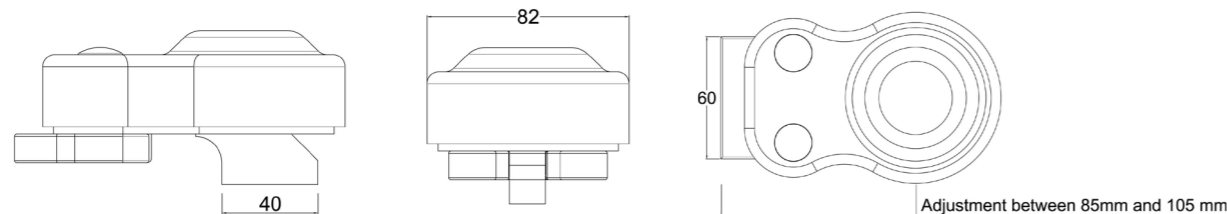




## Stop hinge and bottom pivot set

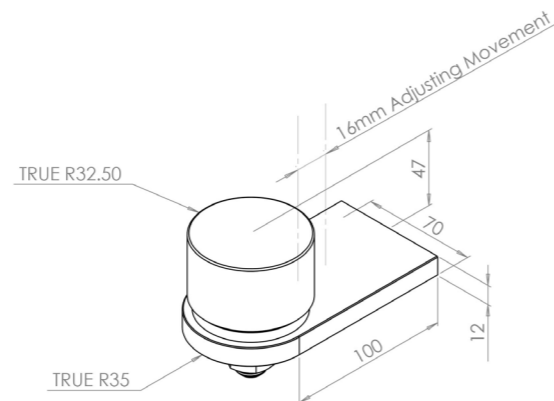
Durable hinge kit designed for welding into gates. Incorporates an integral stop meaning the gate does not open more than 100°.

- Reduces trip hazards – Integral stop means a stop doesn't need to be fitted into the ground reducing trip hazards
- Reduces pinch points – Stop prevents the gate being opened more than 100° ensuring reducing gaps are kept to a minimum
- Adjustable – Both the top and bottom hinge have adjustment for precise fitting on site.
- Adaptable – Can be easily changed for both left and right hand gates
- Gate pivot can be set to be in the centre of the gate stile



### AVAILABLE VERSIONS

STHBP Stop hinge and bottom pivot set



## Push fit security collars

These push-on security collars will prevent gates with a hook and eye hinge being lifted off. Also adds a pleasing aesthetic touch to the hinges.

- Secure – Once pushed on to the gate hook, protrusions inside the security collars grip the metal to prevent removal
- Stainless steel cap gives a professional finish to a gate

### AVAILABLE VERSIONS

SCP12	Security collar for 12mm pin
SCP16	Security collar for 16mm pin
SCP19	Security collar for 19mm pin
SCP22	Security collar for 22mm pin



## Closing hinges

### Light duty spring closer

SEE PAGE 64







Our range of gate accessories is designed for both ease and simplicity of use. Our range of drop bolts takes a well-established concept and enhances it with extra usability and security. Other products include gate bump stops and our innovative gate security solutions.



**Drop Bolts**  
**In-Ground Security**

**page 50**

Not just any old drop bolts, our range are cleverly designed to ensure the bolt cannot be lifted by intruders when both gates are closed.



**Buffers**  
**Silent Closing**

**page 54**

Ensure your gate closes quietly with our range of bump stops, supplied as either a standalone product or a combined slam plate with pre-fitted stops.



**Safety & Security Products**  
**Making Properties Safer**

**page 56**

A range of innovative solutions to ensure the security of properties and the safety of the gate users.

## Drop Bolts In-ground security

Continuous innovation gives Gatemaster a constant stream of new products for gates. The Gatemaster drop bolt range is designed to secure gates so that they cannot be forced apart to gain access.

We offer a range of drop bolts that can be fitted to metal gates and also products that are suitable for wooden gates. They are designed for heavy outdoor use with their solid assembly and galvanised or stainless steel finish.



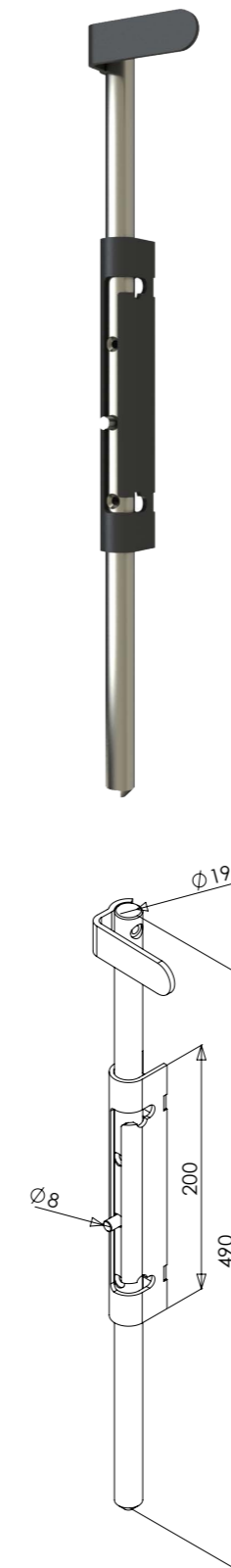
LDB Locking Drop Bolt	51
ADB Weld Fix Locking Drop Bolt	52
CDD Concealed Drop Bolt	53



## Secure locking drop bolt

A secure locking drop bolt which is easy to fit to the gate with our expanding fasteners. Used on double gates, once the drop bolt is in the ground the locking plate is rotated round the edge of the gate, meaning when the second gate is closed the drop bolt cannot be lifted.

- Robust – Strongly constructed and available in an aluminium or stainless steel finish
- Easy to fit – Needs just two 15mm holes in the gate and fixed with the expanding fasteners provided
- Adaptable – To fit left and right hand gates
- Innovative and secure – Once the drop bolt is lowered and rotated, closing the second gate prevents the drop bolt being unlocked



### AVAILABLE VERSIONS

LDB	Locking drop bolt, aluminium
LDBSS	Locking drop bolt, stainless steel







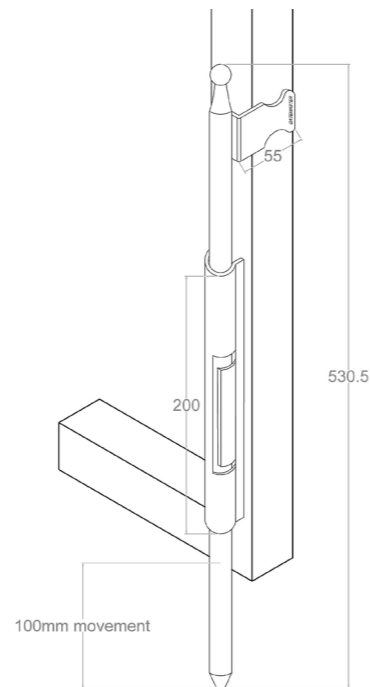
## Auto-locking drop bolt

A substantial drop bolt designed for securing double gates. The Auto-locking drop bolt is lowered and rotated so that the lifting plate folds across the edge of the first gate. The drop bolt is now locked in position, closing the second gate prevents the drop bolt being unlocked.

- Robust – The 19mm drop bolt moves 100mm ensuring the gate is bolted securely into the ground
- Adaptable – Available in either a weld fix or bolt on version
- Ingenious design ensures that the drop bolt cannot be lifted when both gates are closed
- Adaptable – Suitable for left or right hand gates

Available in a weld fix and a bolt on version. The bolt on version is supplied with fixing bolts.

**ADB (weld fixed) shown in gate**



**ADBS (screw fixed) shown in gate**



### AVAILABLE VERSIONS

ADB	Weld-on
ADBS	Bolt-on

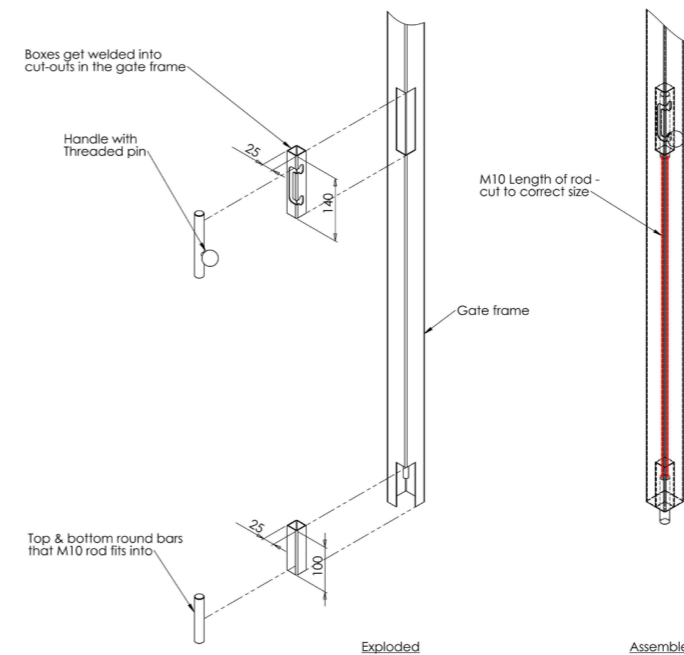
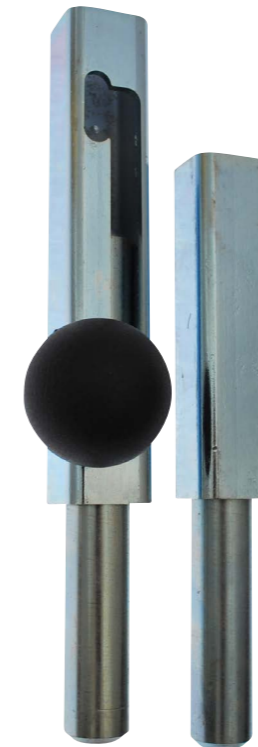


## Concealed vertical drop bolt

A very neat drop bolt for double gates which is enclosed within the box section of the gate. Simply cut slots in the gate stile at hand height and at the bottom and weld in the 2 boxes supplied. Once galvanised or painted the drop bolt can be assembled with M10 threaded bar (not supplied).

- Robust – The drop bolt is inside the gate frame to prevent tampering
- Easy to fit – Assembled using M10 studding which can be cut to length for use on a variety of gate sizes
- Adaptable – Fits into any box section bigger than 30mm x 30mm.
- Innovative and secure – On the double gate version, the drop bolt is lowered and rotated and locked in position. Closing the second gate prevents the drop bolt being unlocked.

Available in 2 versions: double gates and single gates



### AVAILABLE VERSIONS

CDD	Double gate drop bolt
CDS	Single gate drop bolt

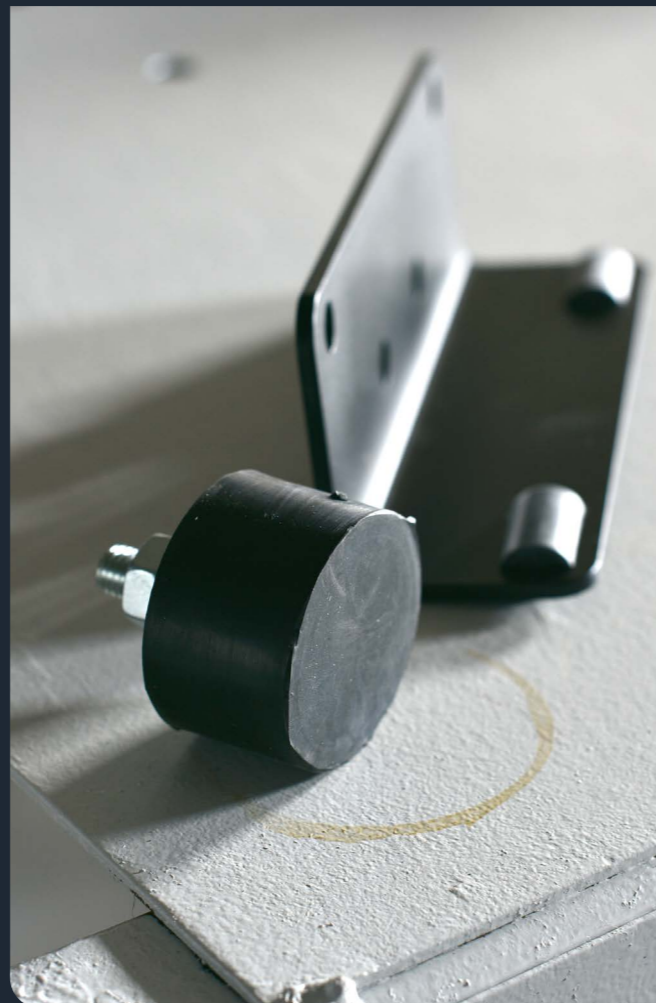


## Buffers

### Silent closing

Gate buffers are an important part of your gate to ensure that the gate closes without a bang. When gates are getting constantly used, especially in residential areas, adding buffers will reduce the noise created when the gate closes.

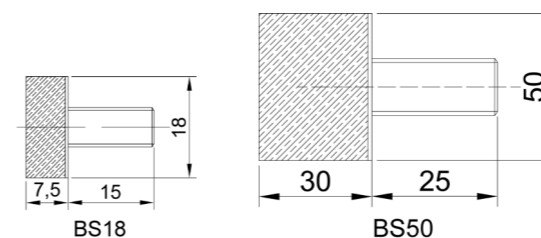
We also offer the buffers fixed to a bracket which can act as a gate stop, meaning that you don't have to fit a separate stop to prevent the gate swinging back in the other direction.



## Gate bump stop

These bump stops will reduce the noise of the gate banging shut, often used in residential areas where noise can disturb the public.

- Noise damper – Reduces the noise made when a gate closes
- Easy to install – Simply screw into the gate stop with the nut provided
- Commonly used on pedestrian gates



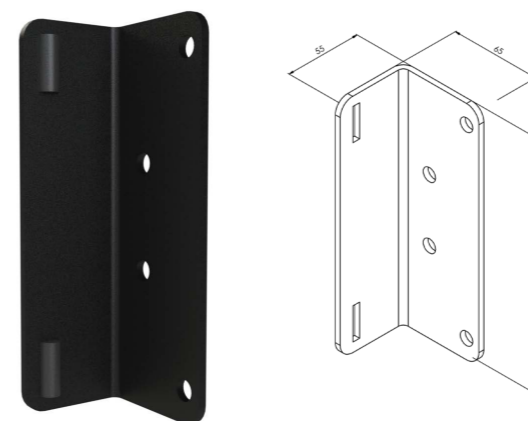
### AVAILABLE VERSIONS

BS18	18 diameter x 7.5mm, M6 x 15 thread
BS50	50 diameter x 30mm, M10 x 25 thread

## Gate silencer kit

Ensure quieter gate closing with a gate silencer kit. This is an angle bracket fitted with 2 bump stops which can be easily fitted to existing gates to prevent banging when the gate closes.

- Easy to fit – Kit comes fully assembled to be bolted onto the gate post
- Durable – Black powder coat finish, designed for use outside
- Supplied with fixings



### AVAILABLE VERSIONS

GSK	Gate silencer kit
-----	-------------------



**Safety & Security**  
**Making properties safer**

A range of innovative solutions to ensure the security of properties and the safety of the gate users.



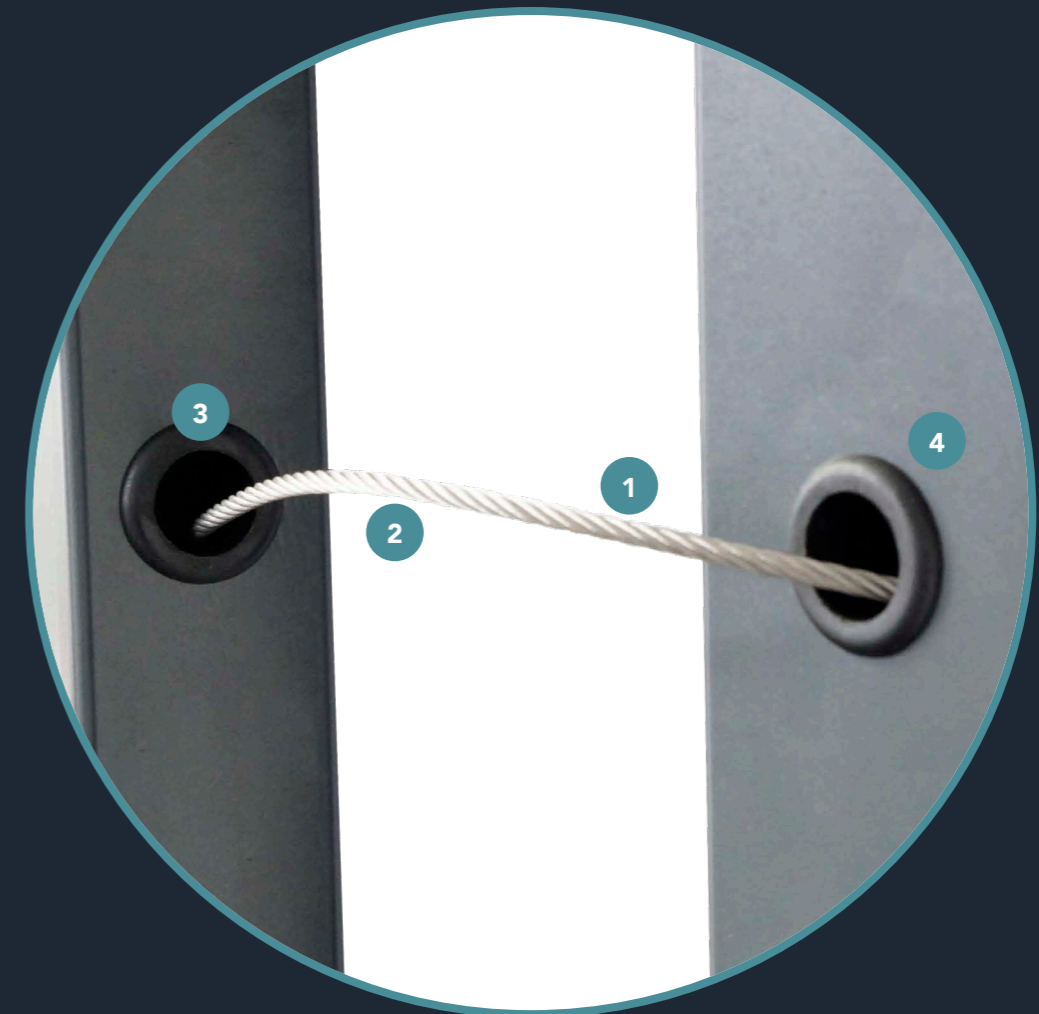
- 1**

Braided wire for superior strength
- 2**

Stainless steel for ultimate corrosion resistance
- 3**

Simple fitting, just drill 2 holes and push the stop ends in
- 4**

Plastic caps ensure it slides in and out easily



Gate Safety Restrainer **58**

Other Safety & Security Products **59**





## Gatemaster Gate Restrainer

The stainless steel gate restrainer is a safety feature that reduces the risk of gates falling in the event of hinge failure. This strong but simple device is a great backup for swing gates when there is potential for the gate hinges to fail and cause fatal harm to pedestrians or damage to property.

- Heavy duty – Strongly constructed from flexible braided stainless steel wire and stainless steel end stops
- Easy to fit – Just needs 2x 13mm holes
- Adapable – Fits on any box section gate and can easily be retro-fitted
- Stainless steel – Suitable for all outdoor environments
- Neat and unobtrusive – Makes a nice finish to any gate of any colour!
- Tested on gates up to 500kg

*Please note – this solution is based on the assumption that in the event of hinge failure, the edge of the gate will hit the ground before the restrainer comes into play. The device is designed to prevent the gate falling sideways rather than taking its full weight. If the dimension from the bottom of the gate to the ground is longer than the restraining device, the device may not be suitable for your gate.*

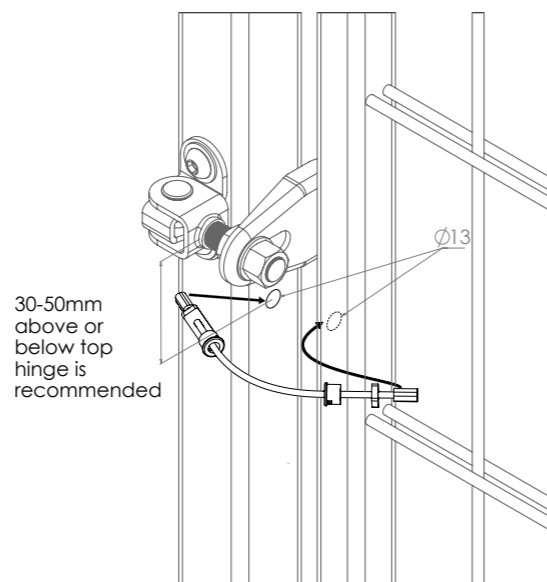
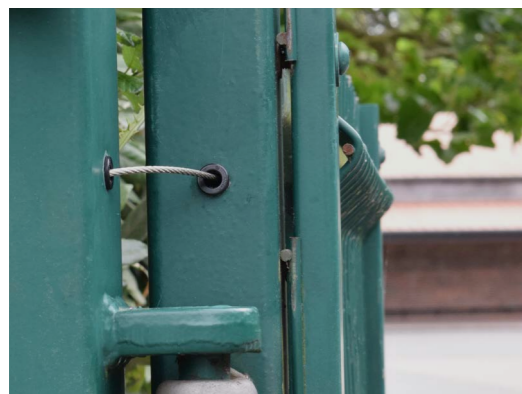


### AVAILABLE VERSIONS

(based on a maximum gate width of 2.5m)

GRS03 For gates up to 260kg

GRS04 For gates up to 500kg



## Weld-on security escutcheon



Weld on to protect an exposed euro cylinder from attack.

### AVAILABLE VERSIONS

WSE04 4mm thickness

WSE08 8mm thickness

WSE12 12mm thickness

## Stainless steel security escutcheon



Screw-fixed escutcheon to cover euro cylinder hole and protect it from attack.

### AVAILABLE VERSIONS

SSE Stainless steel security escutcheon

## Push-fit security collar



Fit to a hook and eye type hinge to prevent the gate being lifted off.

### AVAILABLE VERSIONS

SCP Push-fit security collar

SEE PAGE 47 FOR MORE INFORMATION

## Light duty spring closer



Used on sites or platform gates to ensure gate is always kept closed, keeping workers safe.

### AVAILABLE VERSIONS

LDSGC Light duty spring closer

SEE PAGE 64 FOR MORE INFORMATION





Gatemaster has one of the largest ranges of mechanical gate closers in the world. Our gate closers are easily adjustable and built for all environments.



**Gate Closing Strut**  
**Simple, Reliable Closing**

**page 62**

A simple and reliable gas strut closer that has been proven over many years.



**Hydraulic Gate Closer**  
**Adjustable Consistency**

**page 63**

A robust and easy to fit gate closer for welding on to the gate, perfect for use on playgrounds and schools.



**Light Duty Gate Closer**  
**Cost-Effective Safety**

**page 64**

A solution for temporary or light weight gates, ensuring the gate is always kept closed for the safety and security of labourers.





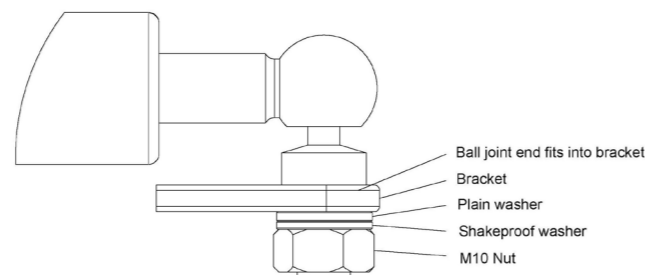
## Hydraulic gate closing strut

The reliable and long lasting GSB gate closer is ideal for closing gates up to 80kg. Simply weld or screw fix the brackets to the gate and post and fit the closer to the brackets. The unique hydraulic damping ensures that the gate will close slowly.

- Adaptable – The closer comes with either weld on or screw fixed brackets for fitting to a range of different gate types
- Reliable – A proven closer that has been closing gates regularly for many years
- Adjustable force – No need to release gas, the closer can be moved along the brackets to increase or decrease the force. This means the strength of the close can be adjusted
- Easy to fit – Adjustable brackets also mean there is no need to compress the strut when fitting to a gate
- From experience these closers can close much heavier gates if the hinges are free running. Contact us if you are unsure on your particular gate
- If permanent force reduction is required, a gas release tool is available – contact the Gatemaster team for more information



Weld-fix or screw-fix brackets are available, giving the option for fitting to metal or wooden gates.



### AVAILABLE VERSIONS

GSB	Weld-fix bracket
GSBW	Screw-fix bracket



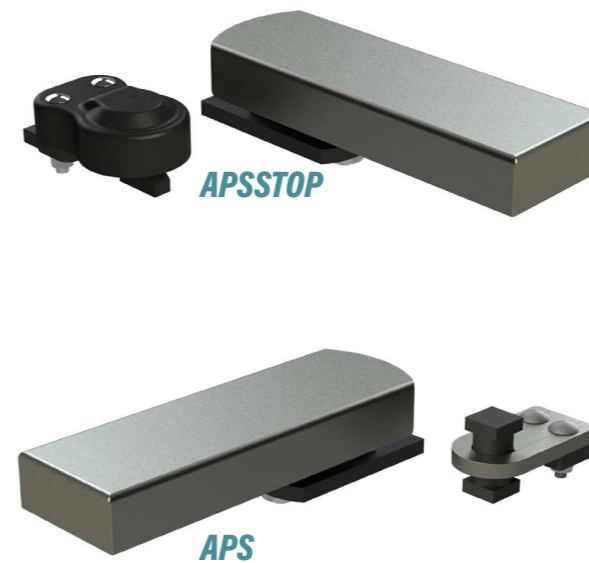
**Screw-fix version (GSBW) shown fitted to gate**



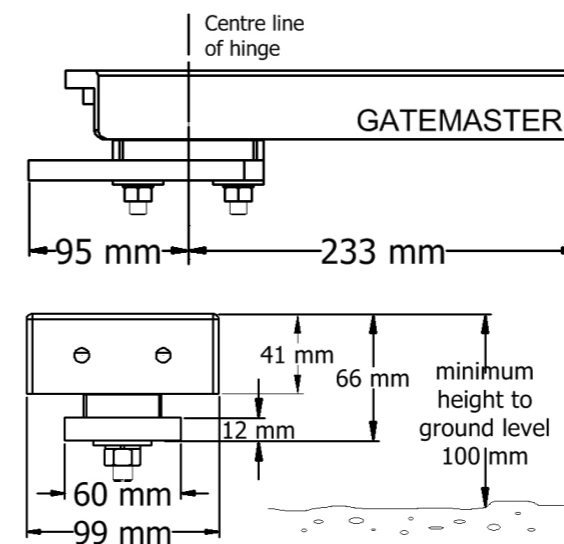
## APS hydraulic gate closer & hinge kit

This hydraulically controlled gate closer and top hinge kit has been developed using proven technology to provide safe and reliable gate closing.

The closer and top hinge kit is specially designed for incorporating into gates that need to be self-closing.



- Robust – The closing unit fits underneath the gate making it vandal resistant
- Strong – Can be used to reliably close gates up to 150kg
- Easy to install – As it is a hydraulic closer, no power is needed
- Unobtrusive – The closer also acts as a load bearing lower hinge
- Adjustable – A top hinge assembly which is fully adjustable to enable the gate to be positioned correctly after installation
- Option on top hinges – Built in standard hinge (APS) or with built in stop to prevent the gate opening more than 90° and damaging the closer (APSSTOP)



### AVAILABLE VERSIONS

APS	Standard hinge
APSSTOP	Gate closer with stop hinge



**APSSTOP shown in gate**

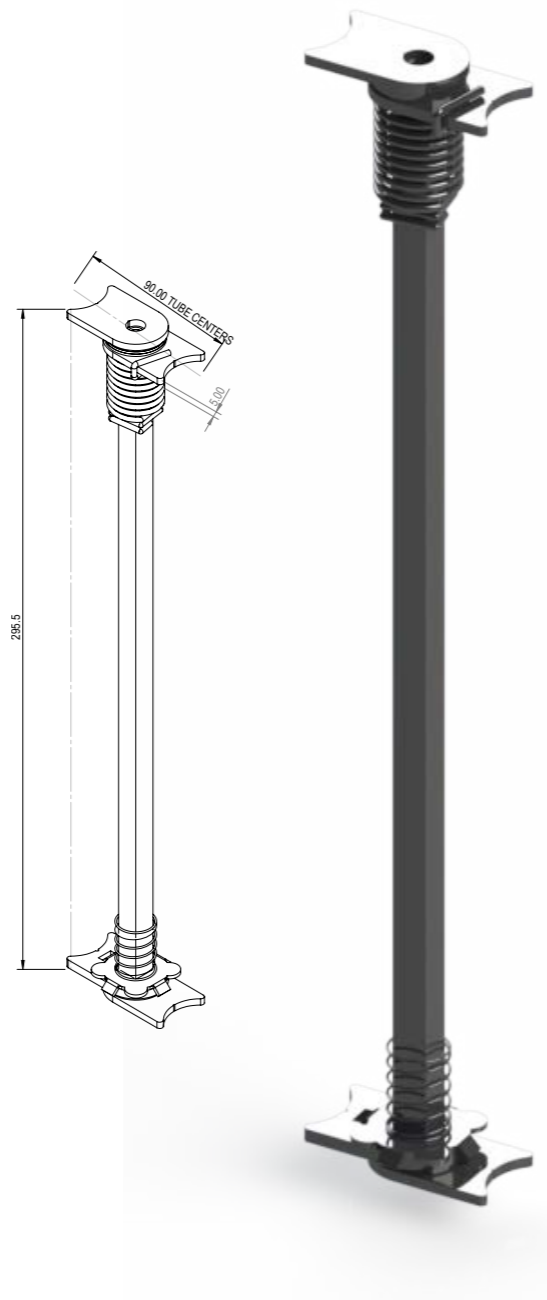




## Light duty spring closer

The light duty closer is a popular product for access gates that need to be kept closed for safety reasons. Can be easily welded to small gates and fabrications for a simple and reliable close.

- Easy to fit – Simply weld on the lugs and adjust the force as necessary
- Adjustable spring tension – Easily adjust spring tension on site by lifting and rotating the adjuster wheel
- Supplied self colour – To be galvanised and painted with the gate



### AVAILABLE VERSIONS

LDSGCL	Left hand
LDSGCR	Right hand





**NOTES**

Lined area for notes on page 66.

**NOTES**

Lined area for notes on page 67.

NOTES

NOTES





# GATEMASTER

Unit 5 Dickinson Place  
Durban Road Industrial Estate  
Bognor Regis  
West Sussex  
PO22 9QU  
United Kingdom

**Phone:** +44 (0)1243 558580  
**Email:** [sales@gatemasterlocks.com](mailto:sales@gatemasterlocks.com)  
**Web:** [www.gatemasterlocks.com](http://www.gatemasterlocks.com)