

ADA Gate Return Bracket

Pre - Installation Notes

- Read all steps below before beginning installation.
- Steps below are for general guidance, various railing designs may require modified installation steps.

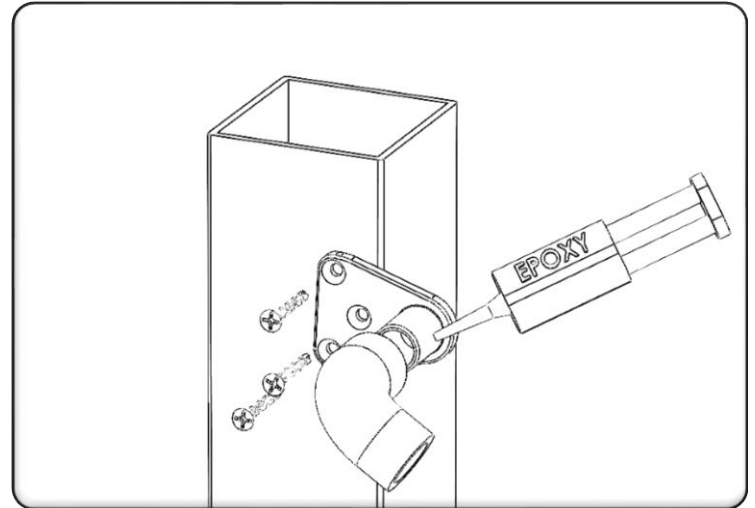
Tools / Materials Needed

- Drill
- 7/32" Drill Bit
- Bracket Kit Contents
- Pencil/Marking Tool
- 2-Part Epoxy (not included)

Step 1

Prepare the Post

- 1.1** Line up the bracket on the post preventing interference from the gate and any accessories.
- 1.2** Mark the post with the (3) screw holes and drill a pilot hole for each screw using a 7/32" drill bit.



Step 2

Install the Bracket

- 2.1** Use the (3) self-tapping screws included in the kit to install the bracket to the post.
- 2.2** Use pencil to mark desired angle and orientation on bracket and elbow. Apply epoxy to secure elbow to the bracket, lining up pencil marks to ensure correct orientation.
- 2.3** Upon installation, gate should be able to fully close without interference with bracket.

