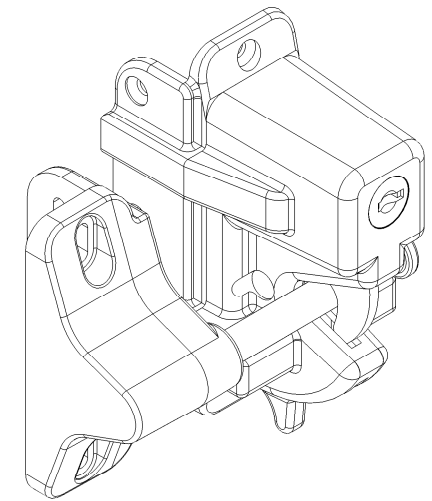
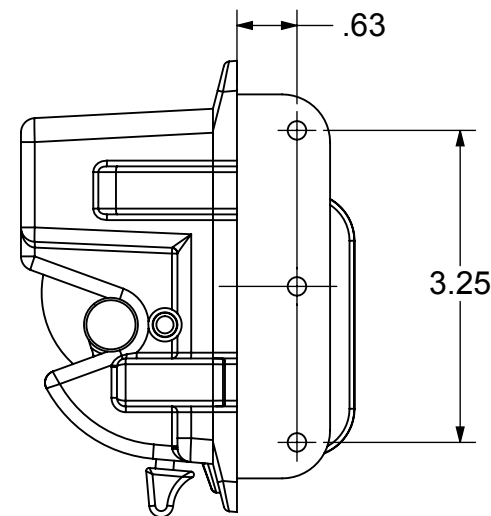
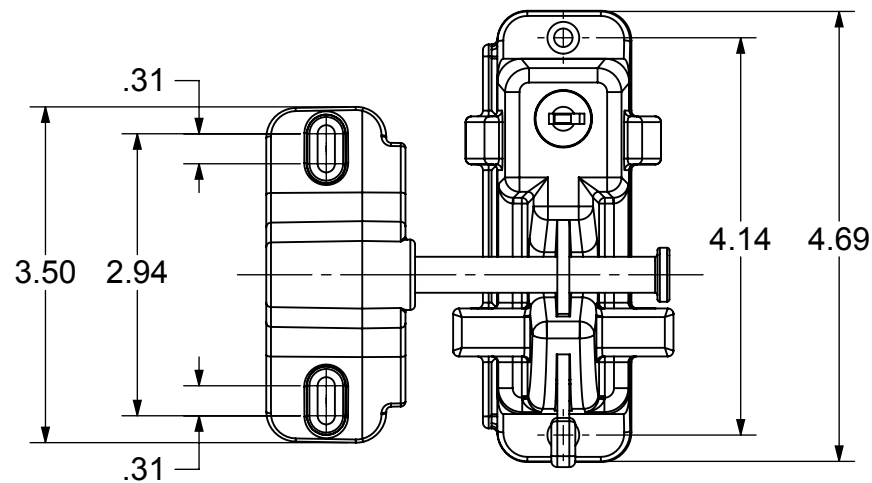
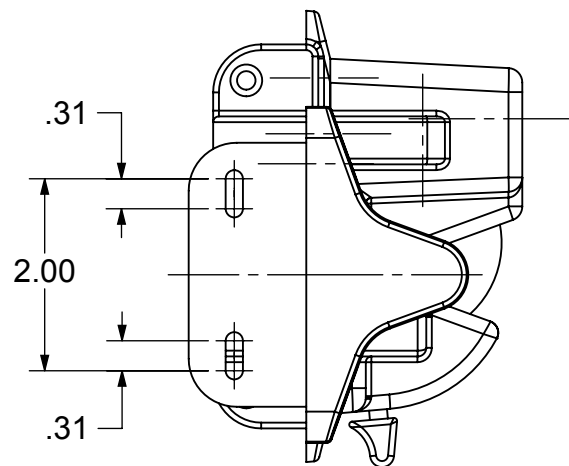
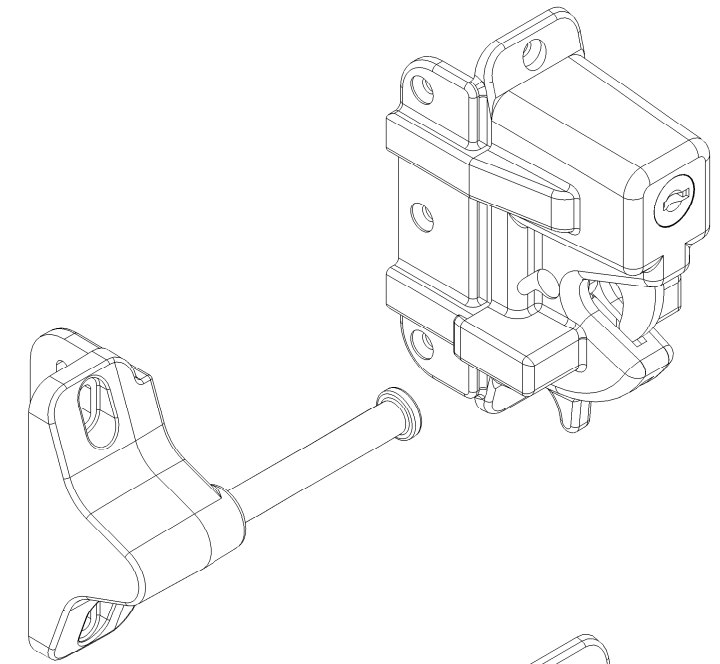
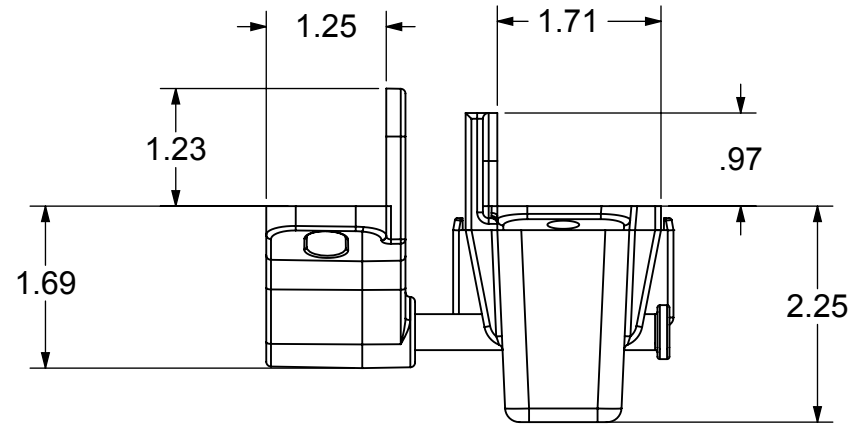


Part No.	DESCRIPTION	COLOR	SCREWS
KLX-P1-WH	LATCH SET w/ STD MTG SCREWS	WHITE	SS SHEET METAL
KLX-P1-BK	LATCH SET w/ STD MTG SCREWS	BLACK	SS SHEET METAL
KLX-P1ZD-WH	LATCH SET w/ SELF DR. MTG SCREWS	WHITE	STEEL SELF-DRILL
KLX-P1ZD-BK	LATCH SET w/ SELF DR. MTG SCREWS	BLACK	STEEL SELF-DRILL

REVISIONS		DATE	APPD
ECR/DCR	REV.		
---	--	8-5-13	---
DESCRIPTION			
INITIAL RELEASE			



DIMENSIONS ARE IN INCHES
TOLERANCES:
FRACTIONAL $\pm 1/16"$
ANGULAR: MACH $\pm 1^\circ$ BEND $\pm 1^\circ$
TWO PLACE DECIMAL ± 0.01
THREE PLACE DECIMAL ± 0.005

	NAME	DATE
DRAWN	EET	8-5-13
CHECKED	-	-
ENG APPR.		
MFG APPR.		
Q.A.		
COMMENTS:		



GRAVITY LATCH
ONE-SIDED

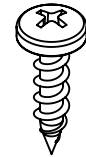
PROPRIETARY AND CONFIDENTIAL
THE INFORMATION CONTAINED IN THIS DRAWING IS THE SOLE PROPERTY OF NATIONWIDE INDUSTRIES. ANY REPRODUCTION IN PART OR AS A WHOLE WITHOUT THE WRITTEN PERMISSION OF NATIONWIDE INDUSTRIES IS PROHIBITED.

MATERIAL	FINISH
GF NYLON / SST	SEE CHART
APPLICATION	DO NOT SCALE DRAWING

SIZE	DWG. NO.	REV.
B	CS--KLX-P1	-

KLX-P1-*
MOUNTING HARDWARE KIT P/N: KL1SPACK-SS-*

* COLOR CODE: W = WHITE; B = BLACK

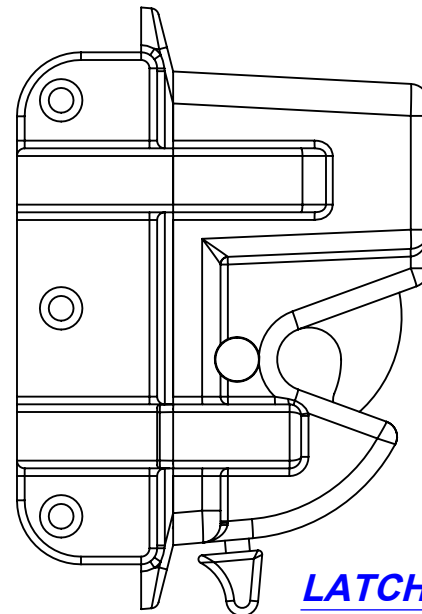


(5) LATCH MTG SCREWS

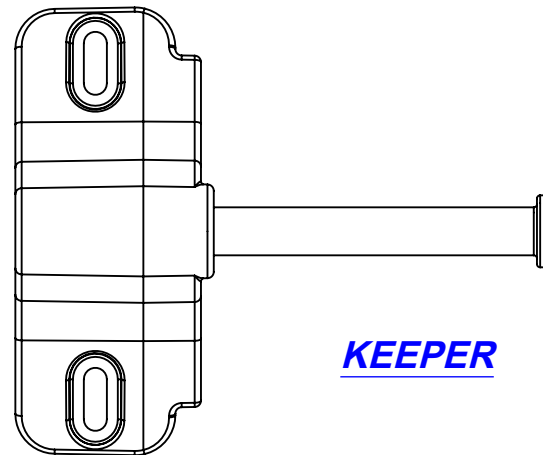
#8 x 3/4" LG PHILIPS
 FLATHEAD SCREW
 MAT'L: STAINLESS STEEL
 FINISH: PAINT AS REQ'D

(4) KEEPER MTG SCREWS

#8 x 3/4" LG PHILIPS
 PANHEAD SCREW
 MAT'L: STAINLESS STEEL
 FINISH: PAINT AS REQ'D



LATCH ASSEMBLY



KEEPER

PACKAGING INSTRUCTIONS:

BOX (20) SETS PER CARTON.

PART No: **KLX-P1-***

* COLOR CODE: W = WHITE; B = BLACK

POLYBAGGED SET CONTAINS:

(1) MOUNTING HARDWARE KIT - POLYBAGGED

CONTAINING:

- (4) #8 x 3/4" PHILIPS PANHEAD SCREW
- (5) #8 x 3/4" PHILIPS FLATHEAD SCREW

(1) LATCH ASSEMBLY

(1) KEEPER ASSEMBLY

(1) INSTRUCTION SHEET

PART No: **KLX-P1ZD-***

* COLOR CODE: W = WHITE; B = BLACK

POLYBAGGED SET CONTAINS:

(1) MOUNTING HARDWARE KIT - POLYBAGGED

CONTAINING:

- (4) #8 x 3/4" PHILIPS PANHEAD SELF DRILLING SCREW
- (5) #8 x 3/4" PHILIPS FLATHEAD SELF DRILLING SCREW

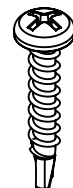
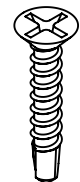
(1) LATCH ASSEMBLY

(1) KEEPER ASSEMBLY

(1) INSTRUCTION SHEET

KLX-P1ZD-*
MOUNTING HARDWARE KIT P/N: KL1SPACK-STL-*

* COLOR CODE: W = WHITE; B = BLACK



(5) MOUNTING SCREWS

#8 x 1.0" LG PHILIPS
 FLATHEAD
 SELF-DRILLING SCREW
 MAT'L: CARBON STEEL
 FINISH: ZINC PLATED
 PAINT AS REQ'D

(4) KEEPER MTG SCREWS

#8 x 1.0" LG PHILIPS
 PANHEAD
 SELF DRILLING SCREW
 MAT'L: CARBON STEEL
 FINISH: ZINC PLATED
 PAINT AS REQ'D

INSTRUCTIONS

PROPRIETARY AND CONFIDENTIAL
 THE INFORMATION CONTAINED IN THIS DRAWING IS
 THE SOLE PROPERTY OF NATIONWIDE INDUSTRIES. ANY
 REPRODUCTION IN PART OR AS A WHOLE WITHOUT THE
 WRITTEN PERMISSION OF NATIONWIDE INDUSTRIES
 IS STRICTLY PROHIBITED.
 DO NOT SCALE DRAWING

**GRAVITY LATCH
 ONE-SIDED**

SIZE B	DWG. NO. CS--KLX-P1	REV. -
SCALE:1:1.5	WEIGHT:	SHEET 2 OF 2