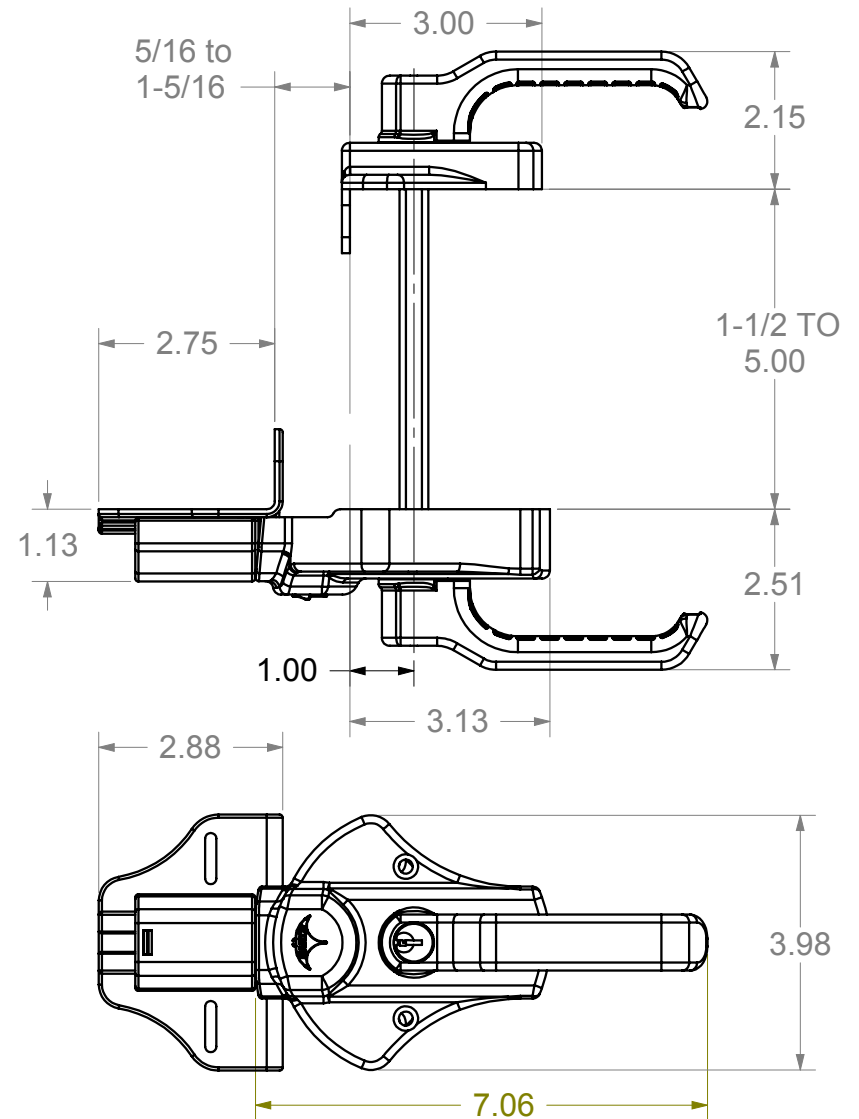
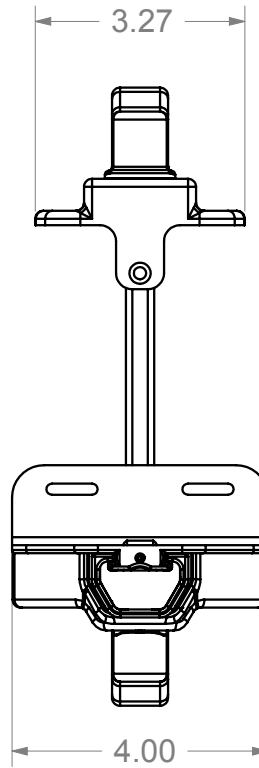
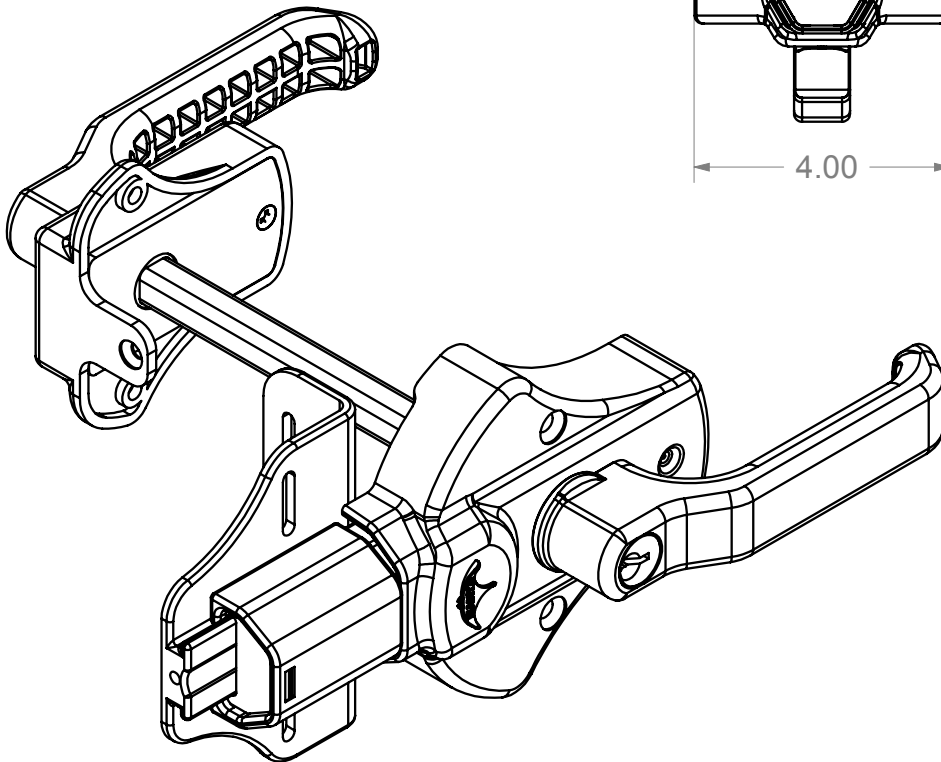


**PACKAGING INSTRUCTIONS:**

**EACH INDIVIDUALLY BOXED SET MUST CONTAIN:**

1. INDIVIDUALLY POLYBAGGED
  - (1) KEEPER ASSEMBLY
  - (1) FRONT HOUSING ASSEMBLY
  - (1) BACK HOUSING ASSEMBLY
2. POLYBAGGED MOUNTING HARDWARE KIT CONTAINING:
  - (1) HANDLE SPINDLE
  - (4) #8 x 3/4" PAN HD SELF-DRILLING SCREW, S/S
  - (5) #8 x 3/4" FLAT HD SELF-DRILLING SCREW, S/S
  - (1) #8 x 1- 3/4" FLAT HD SELF-DRILLING SCREW, S/S
  - (2) #10 x 1.5" FLAT HD SELF-DRILLING SCREW, S/S
  - (1) SET OF FRONT HOUSING KEYS
  - (1) SET OF BACK HOUSING KEYS
  - (1) INSTRUCTION SHEET
  - (1) "WARRANTY" SHEET



		REVISIONS		
ECR/DCR	REV.	DESCRIPTION	DATE	APPD
-	-	INITIAL RELEASE	05-18-10	-
-	1	ADDED @ SYMBOL TO LOGO	07-23-18	-

DIMENSIONS ARE IN INCHES  
 TOLERANCES:  
 FRACTIONAL ± 1/16"  
 ANGULAR: MACH ± 1° BEND ± 1°  
 TWO PLACE DECIMAL ± 0.01  
 THREE PLACE DECIMAL ± 0.005

**PROPRIETARY AND CONFIDENTIAL**  
 THE INFORMATION CONTAINED IN THIS DRAWING IS THE SOLE PROPERTY OF NATIONWIDE INDUSTRIES. ANY REPRODUCTION IN PART OR AS A WHOLE WITHOUT THE WRITTEN PERMISSION OF NATIONWIDE INDUSTRIES IS PROHIBITED.

**NATIONWIDE INDUSTRIES**

**MANTA® MAGNETIC LATCH**

SIZE: **A** DWG. NO. **CS--MANTA** REV. **1**  
 SCALE: 1:3 WEIGHT: SHEET 1 OF 1