

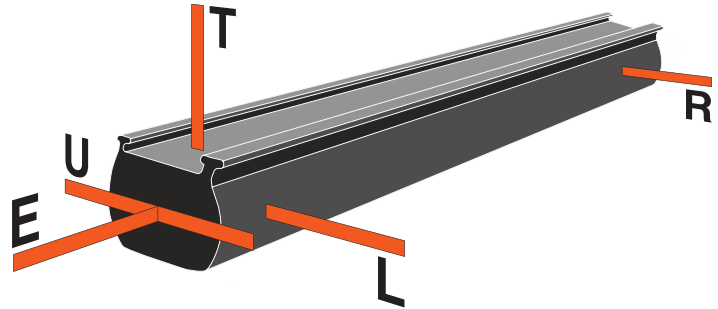


# SENSING EDGE OUTLET LOCATION OPTIONS

The lead wire or hose can exit the sensing edge in a number of different places, depending on the model.

Note: The universal option for MGS20 and MGR20 edges requires a hole to be drilled through the mounting post.

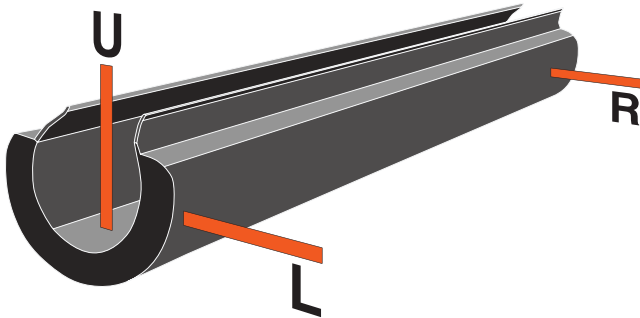
For help with selecting the correct outlet location for either door or gate applications, contact your Miller Edge Sales Representative.



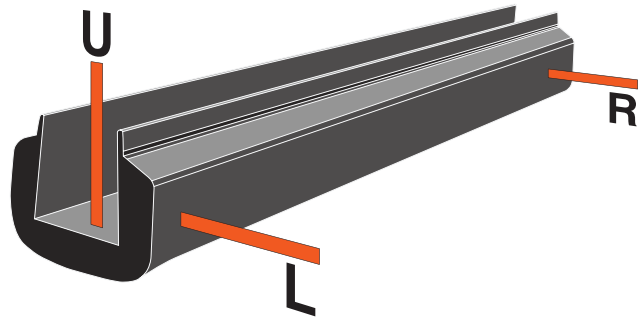
**ME & MG SENSING EDGES**

**KEY**

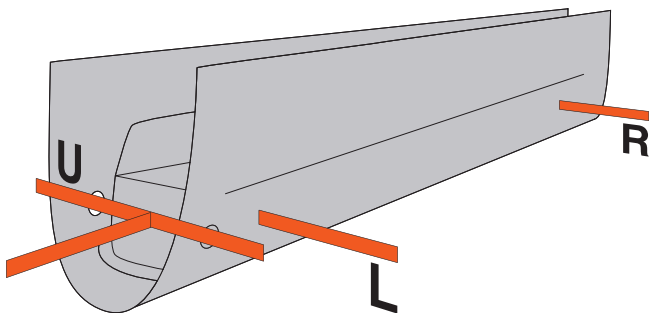
End    Left    Right    Top    Universal



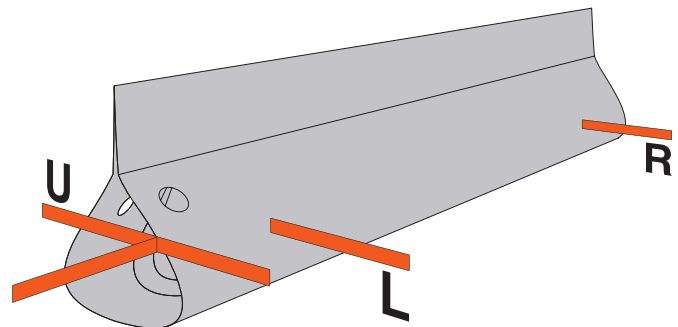
**MGR SENSING EDGE**



**MGS SENSING EDGE**



**MU SENSING EDGES**



**MT SENSING EDGES**

handing\_20180917