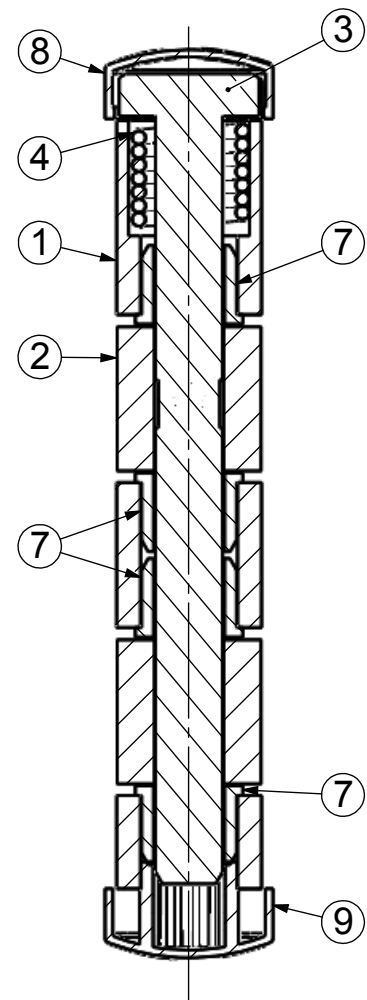
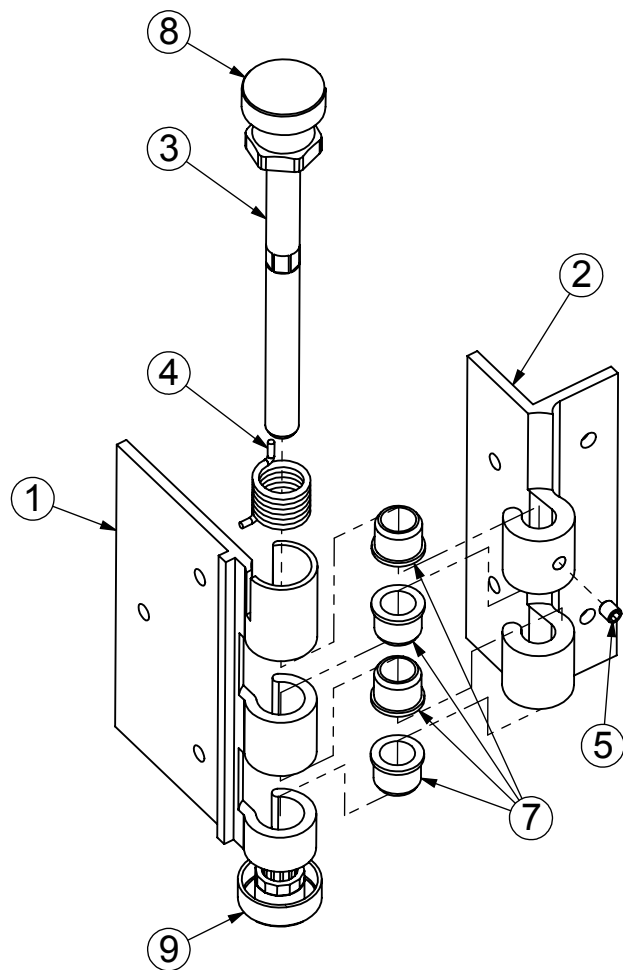
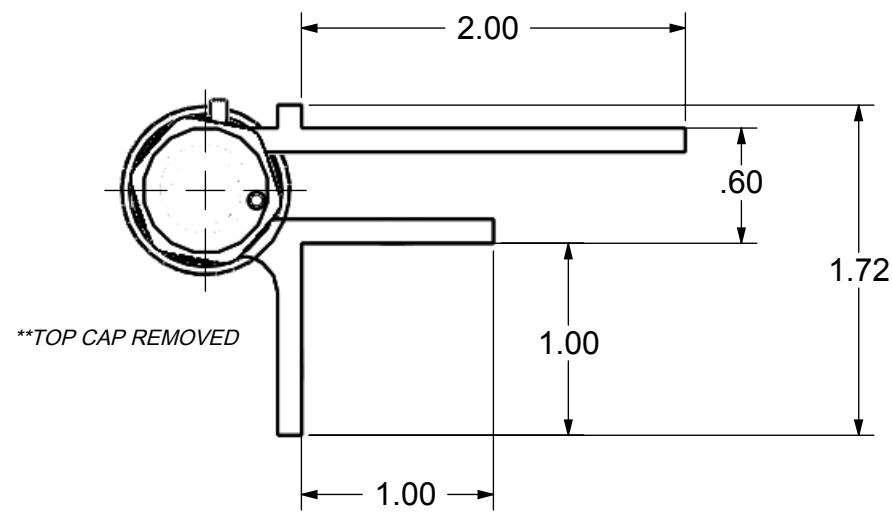
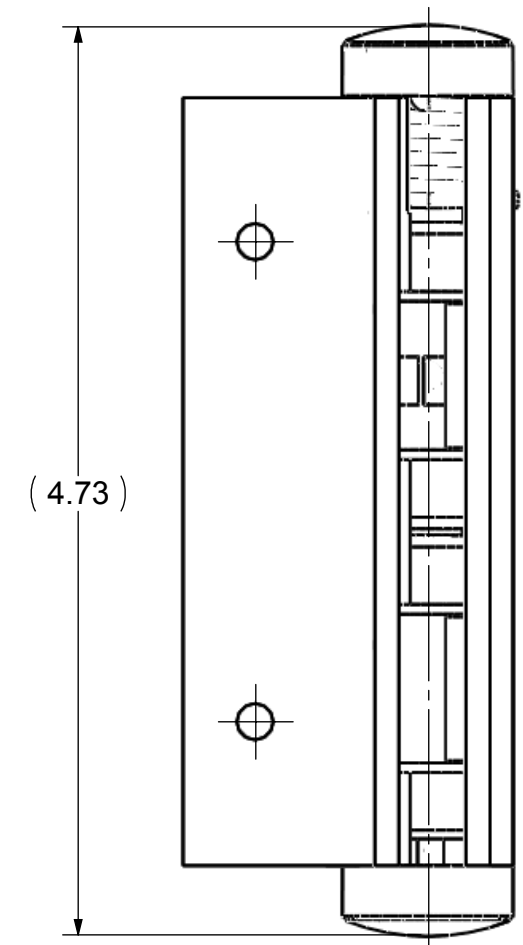
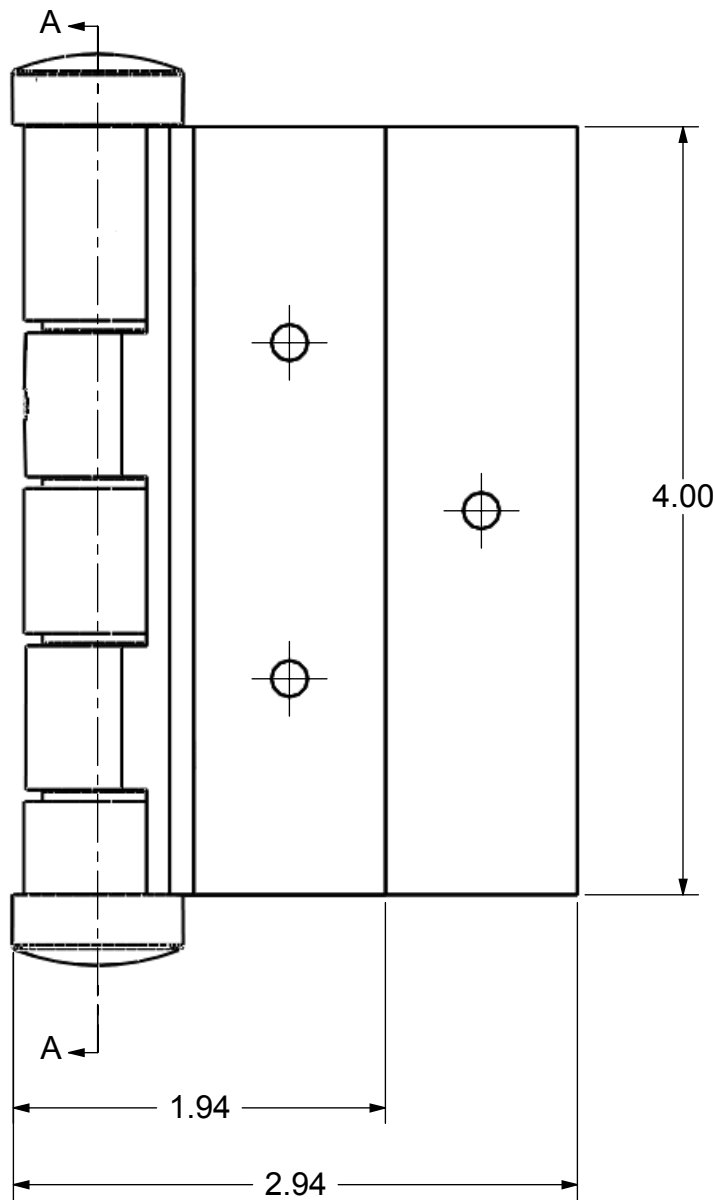


ITEM #	QTY	DESCRIPTION
1	1	LEAF "A"
2	1	LEAF "B"
3	1	HINGE PIN
4	1	SPRING
5	1	SET SCREW
6	1	HEX KEY
7	4	BUSHING
8	1	TOP CAP
9	1	BOTTOM CAP

ECR/DCR REV.		REVISIONS DESCRIPTION	DATE	APPD
-	-	INITIAL RELEASE	06-16-10	-



SECTION A-A  
SCALE 1:1



**DRAFT COPY**

DIMENSIONS ARE IN INCHES  
TOLERANCES:  
FRACTIONAL  $\pm 1/16"$   
ANGULAR: MACH  $\pm 1^\circ$  BEND  $\pm 1^\circ$   
TWO PLACE DECIMAL  $\pm 0.01$   
THREE PLACE DECIMAL  $\pm 0.005$

PROPRIETARY AND CONFIDENTIAL  
THE INFORMATION CONTAINED IN THIS  
DRAWING IS THE SOLE PROPERTY OF  
NATIONWIDE INDUSTRIES. ANY  
REPRODUCTION IN PART OR AS A WHOLE  
WITHOUT THE WRITTEN PERMISSION OF  
NATIONWIDE INDUSTRIES IS PROHIBITED.



**4" SELF-CLOSING HINGE**  
**GENERAL ASM & OUTLINE DIM's**

SIZE <b>B</b>	DWG. NO.	<b>CS--NW093</b>	REV. --
SCALE:1:2	WEIGHT:		SHEET 1 OF 1