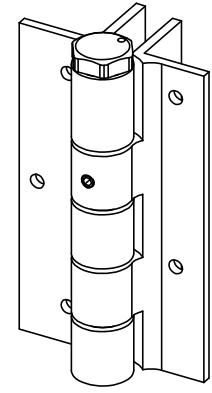
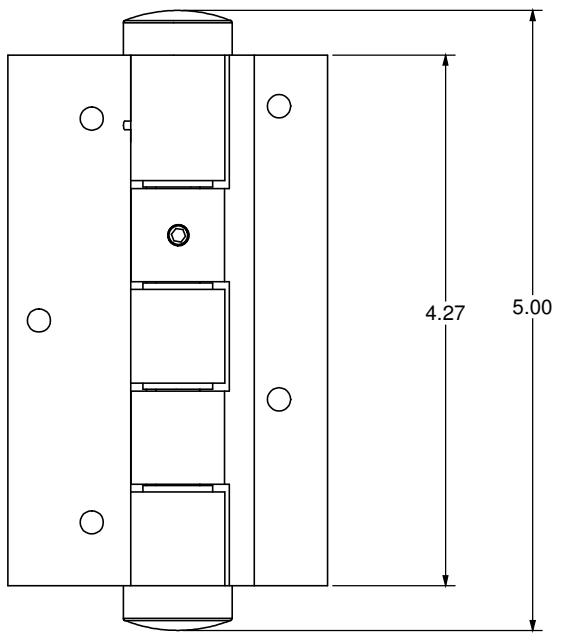
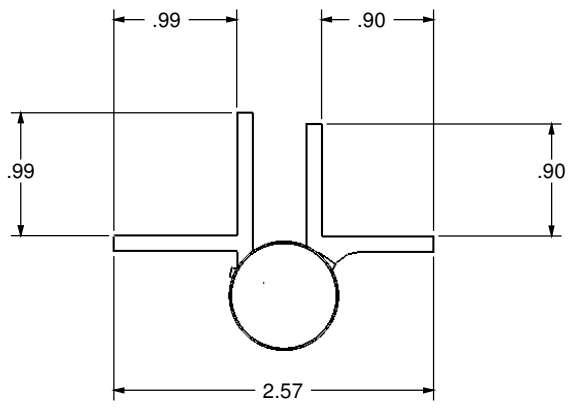
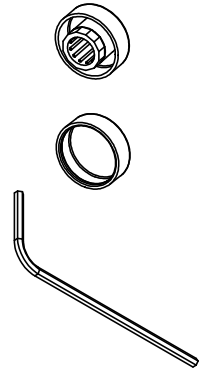



		REVISIONS			
ECR/DCR	REV.	DESCRIPTION	DATE	APPROVED	



4" HINGE



- INSTALL KIT:**
- TOP/BTM CAPS
 - SPRING TENSIONING WRENCH
 - INSTALLATION INSTRUCTIONS

DRAFT COPY		 NATIONWIDE INDUSTRIES	
<small>PROPRIETARY AND CONFIDENTIAL THE INFORMATION CONTAINED IN THIS DRAWING IS THE SOLE PROPERTY OF NATIONWIDE INDUSTRIES. ANY REPRODUCTION IN PART OR AS A WHOLE WITHOUT THE WRITTEN PERMISSION OF NATIONWIDE INDUSTRIES IS PROHIBITED. DO NOT SCALE DRAWING</small>		4" SELF-CLOSING HINGE EQUAL LEGS	
SIZE B	DWG. NO. CS--NW093A	REV. -	REV. -
SCALE: 1:1	WEIGHT:	SHEET 1 OF 1	