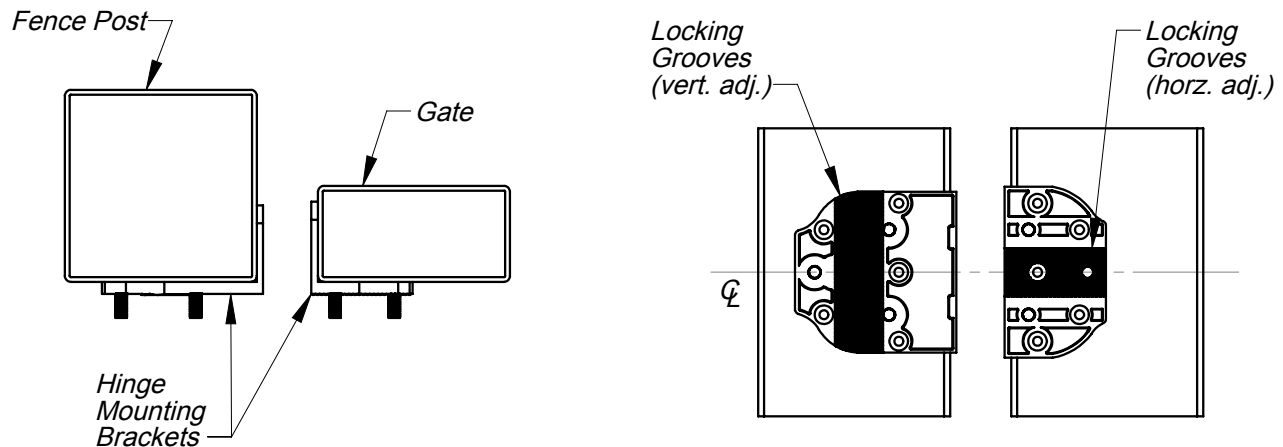


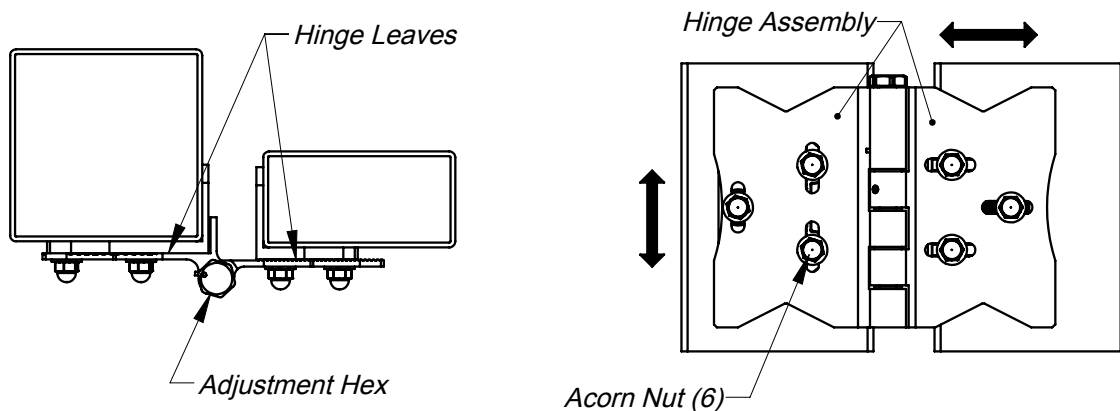
## SELF CLOSING ADJUSTABLE HINGE

### HINGE MOUNTING

The **hinge mounting brackets** should be located as shown, with the wide flange installed on the **fence post**, and the narrow flange positioned on the **gate**. The brackets should be positioned on the outside surfaces of the posts with the gate in the closed position. The top edge of the upper hinge should be mounted within 6" of the top surface of the top rail, and the bottom edge of the lower hinge should be mounted within 6" of the lower surface of the lower rail. The **hinge mounting brackets** should be centered to one another as closely as possible. In applications where additional hinges are used, they should be evenly spaced between the upper and lower hinges.



Install the **hinge assembly** to the **hinge mounting brackets** and secure with the 6 **acorn nuts**. Hinge should be positioned as shown so that the **locking grooves** on the **hinge mounting brackets** will align with grooves on the back side of the **hinge assembly**. This will allow the hinge to be adjusted horizontally on the **gate** side, and vertically on the **fence post** side.



## SELF CLOSING ADJUSTABLE HINGE

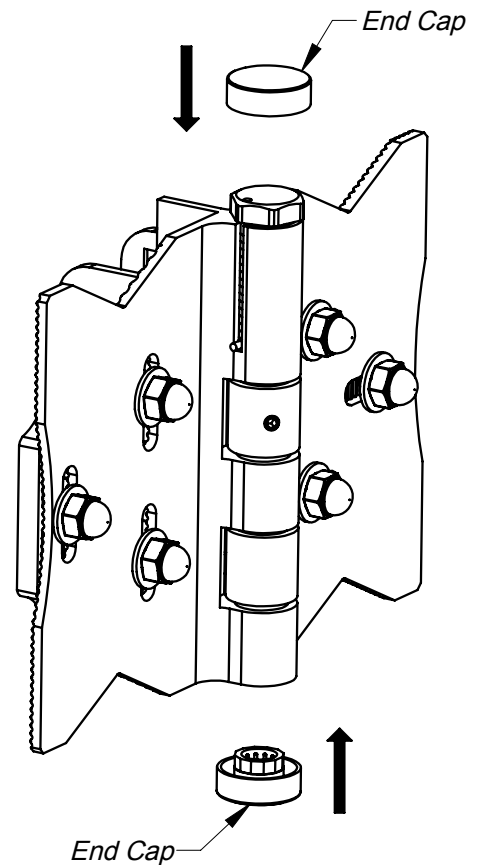
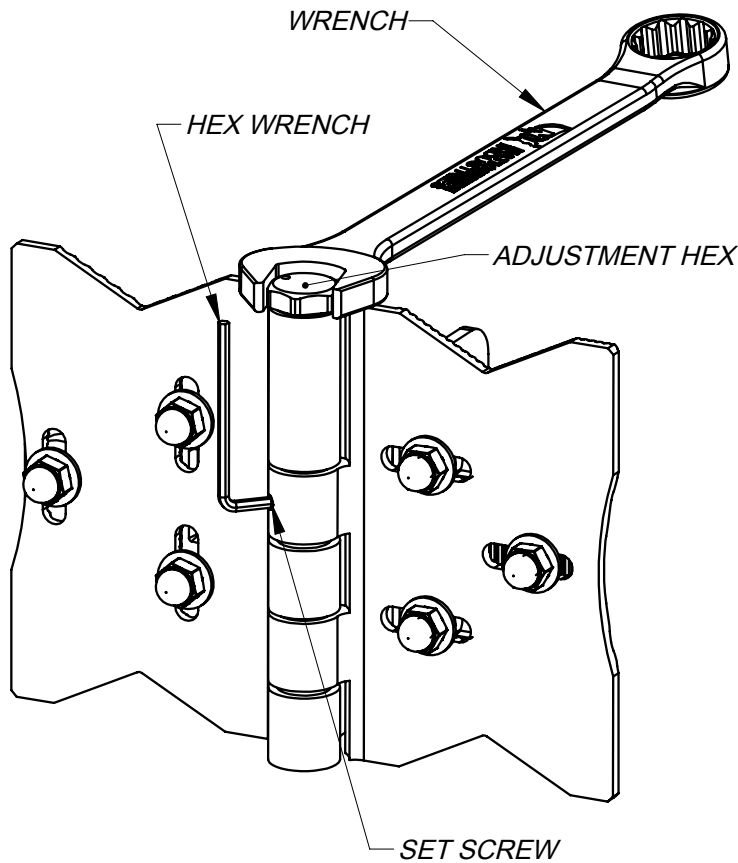
### TENSION ADJUSTMENT

Hold the **adjustment hex** with a **wrench** while loosening the **set screw** with the supplied **hex wrench**. Turn the **adjustment hex** to adjust tension, clockwise to increase tension, counter-clockwise to reduce tension. Once desired tension is set, tighten the **set screw** and install the **end caps**.

*Reduce  
Tension*



*Increase  
Tension*



**NOTE:**

*The hinge should be inspected annually, or more frequently if the gate is used often. Spring tension adjustments should be made as needed. The hinge should be regularly lubricated by spraying an oil based lubricant into the barrel.*