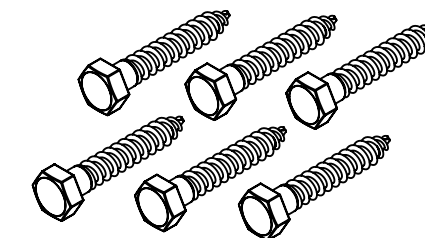
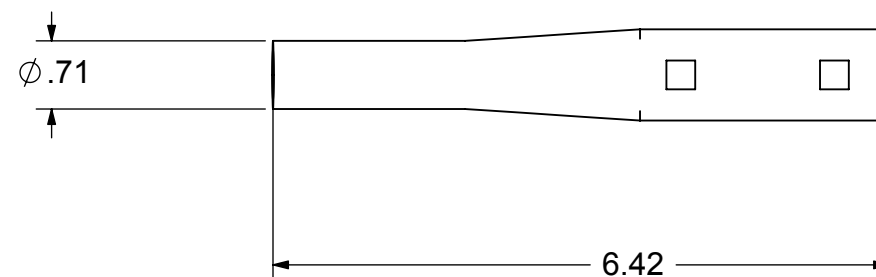
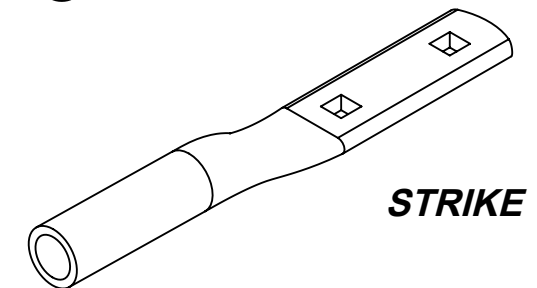
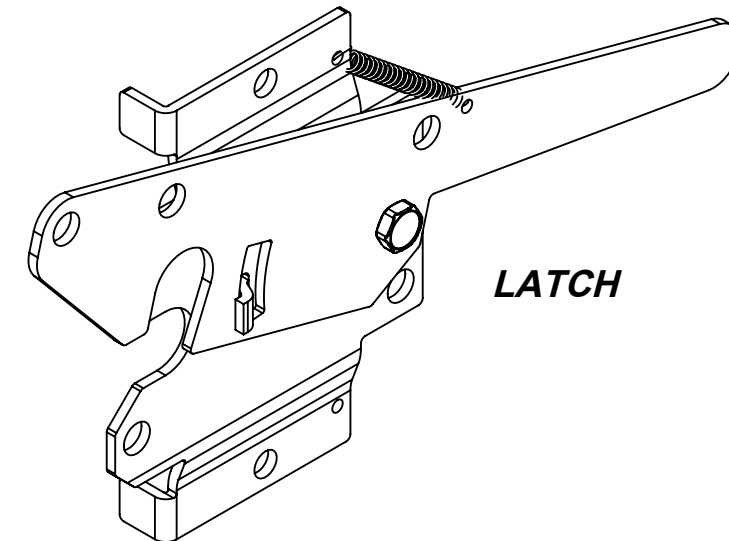
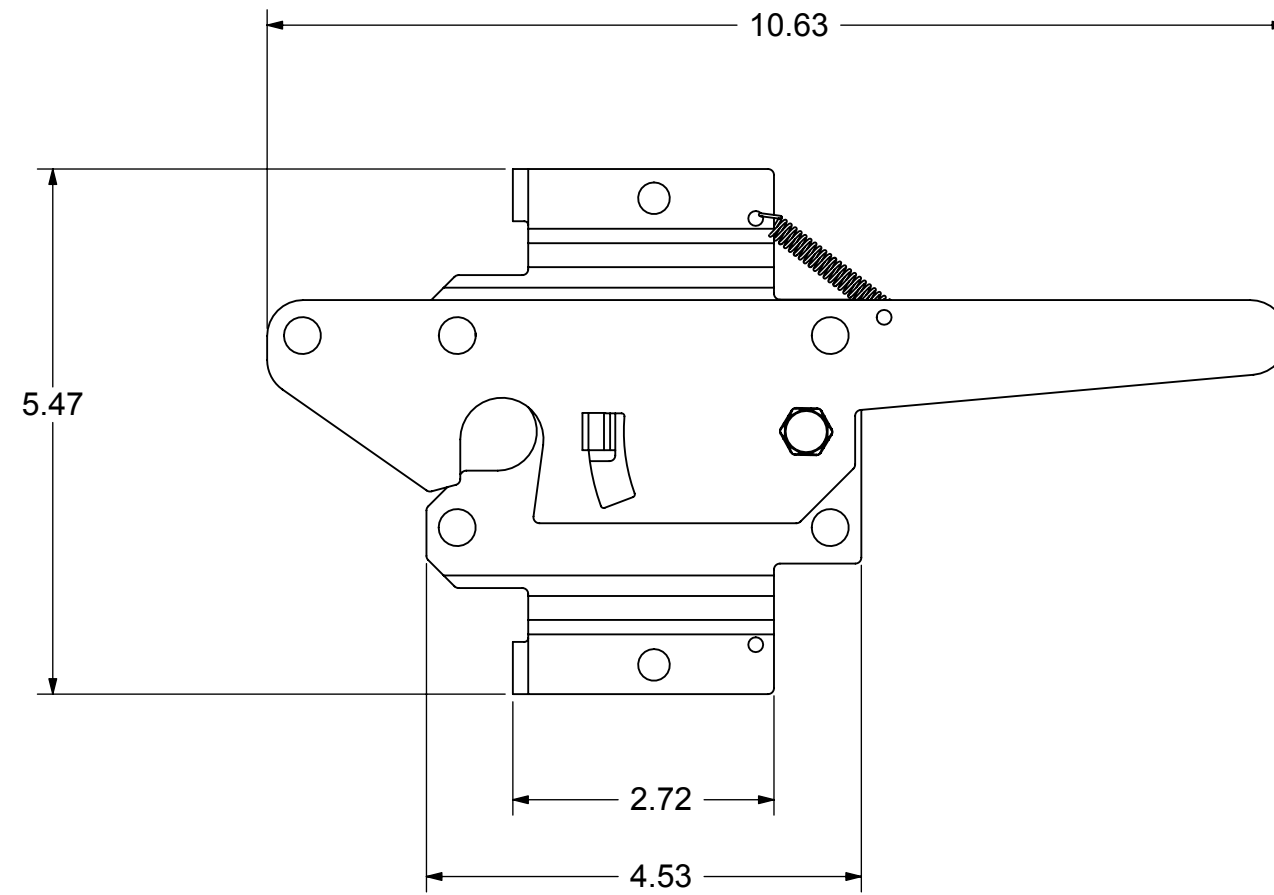


REVISIONS				
ECR/DCR	REV.	DESCRIPTION	DATE	APPROVED
	-	INITIAL RELEASE	4-27-07	BKF



**MOUNTING
HARDWARE**
"HOT DIPPED GALV"

DRAFT COPY

PROPRIETARY AND CONFIDENTIAL

THE INFORMATION CONTAINED IN THIS DRAWING IS THE SOLE PROPERTY OF NATIONWIDE INDUSTRIES. ANY REPRODUCTION IN PART OR AS A WHOLE WITHOUT THE WRITTEN PERMISSION OF NATIONWIDE INDUSTRIES IS PROHIBITED.

DO NOT SCALE DRAWING



**STANDARD
POST LATCH**

SIZE B	DWG. NO. CS--NW38308Q	REV. -
SCALE:1:2	WEIGHT:	SHEET 1 OF 1