

# NW38310Q-CD CONTEMPORARY POST LATCH

## INSTALLATION, ADJUSTMENT AND MAINTENANCE INSTRUCTIONS

REV 0: 06-06-07

### **PLEASE CAREFULLY READ ALL OF THE INSTRUCTIONS PRIOR TO INSTALLATION**

The Post Latch is designed to fit both right-handed and left-handed gate applications.

### **STEP - 1**

Locate the desired mounting height for the latch on the fence post, mark the centerpoints of the (2) Mounting Holes. Drill appropriate pilot holes for mounting screws. Realign latch and attach to post with supplied lag screws.

### **STEP - 2**

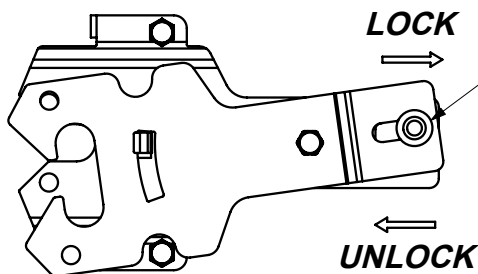
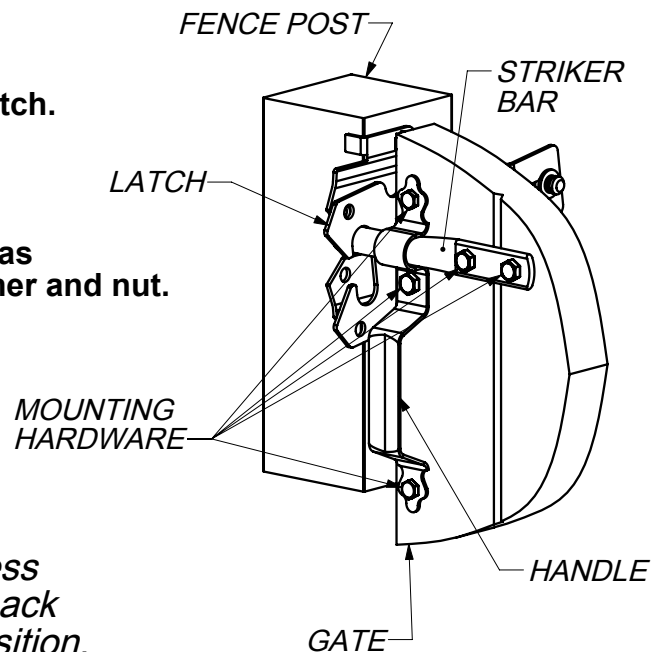
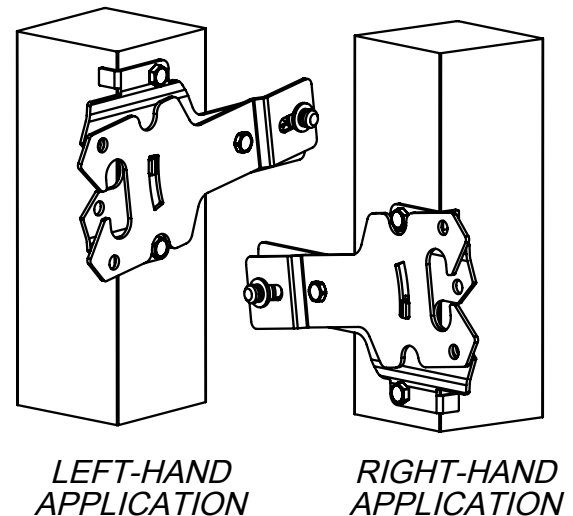
After installing the latch assembly, with the gate in the closed position, attach the Striker Bar to the gate by positioning the Striker Bar in the Latch Assembly, mark the centerpoints of the (2) mounting holes. Drill appropriate pilot holes for mounting screws. Realign Striker Bar and attach to post with supplied lag screws.

### **STEP - 3**

After installation, TEST the locking and unlocking of the latch.

### **STEP - 4**

Upon ensuring the latch locks properly. Mount the handle as required using the supplied lag screws and thru bolt, washer and nut.



#### **LOCK PIN**

To lock Latch, Press Button and slide back into the locked position.