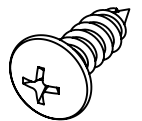
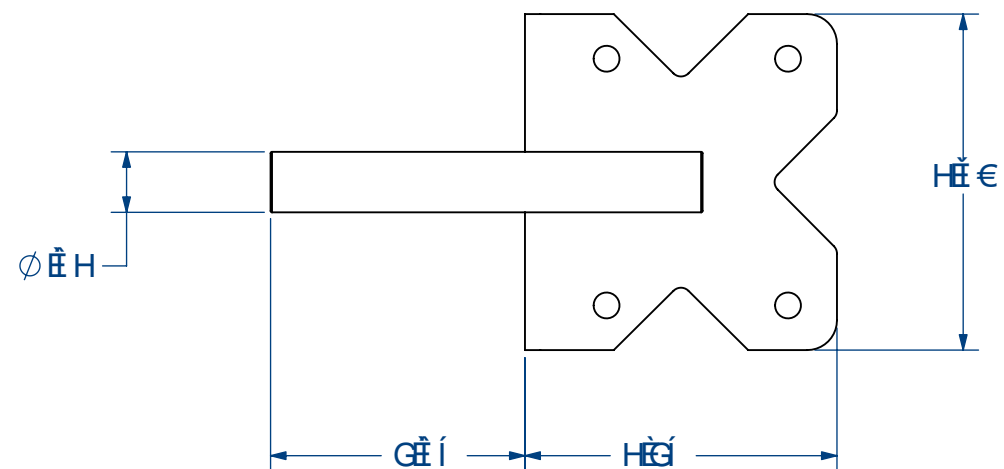
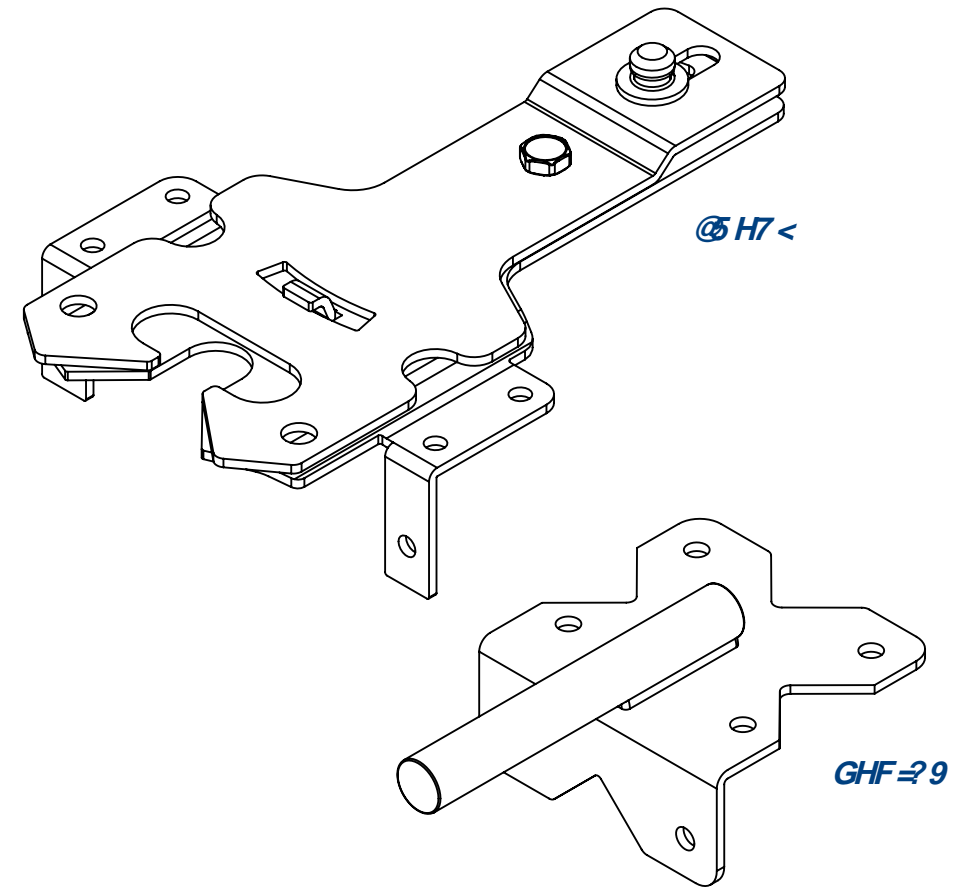
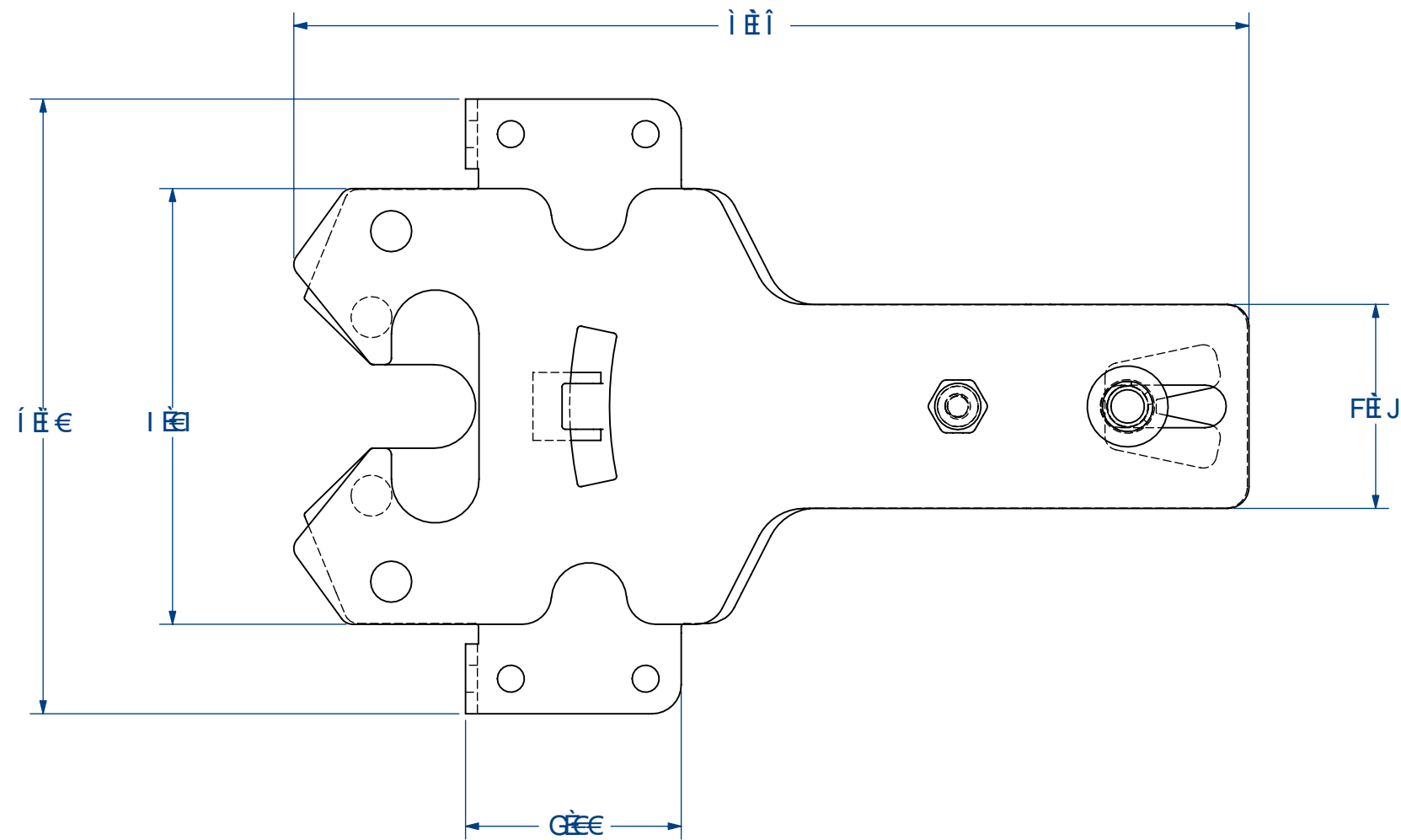


|          |       |                 |          |          |
|----------|-------|-----------------|----------|----------|
|          |       | F9J €€ BG       |          |          |
| 97F #B7F | F9J * | 89G7 F#HC B     | 85H9     | 5DDFCJ98 |
|          | !     | B #H5 @F9@95 G9 | (!&+!\$+ | 6?:      |



ACI BHB;  
 <5F8K5F9  
 !/&ACI BHB; 'G7F9K G<

'8F5: H7 C DM

**B5H-CBK -89**  
 @ Ö W U V U Ö U

DFC DF-9H5FM5B8 7CB: -89BH5@

7CBH9 ADCF5FM  
 DCGH' @ H7 <

H:9-B: CFA 5HC B 7C BH5-B98-B H-G8F5K-B: 'GH:9CC @  
 DFC D9FHC: B5HC BK -89-B81 GF-9G" 5BMF9DFC 81 7HC B "B  
 D5FHC F 5G5 K <C @K #K C I HH:9K F #H8 D9FA €GC B C:  
 B5HC BK -89-B81 GF-9G-€DFC <6+H8"  
 8C BCHG7 5@9F5K-B;

|           |          |                |             |
|-----------|----------|----------------|-------------|
| GH9       | BK: "BC" | 7 G!BK', '%\$B | FQL         |
| 6         |          |                | E           |
| G7 5@9%9) | K 9+ <H  |                | G-99H% C: % |