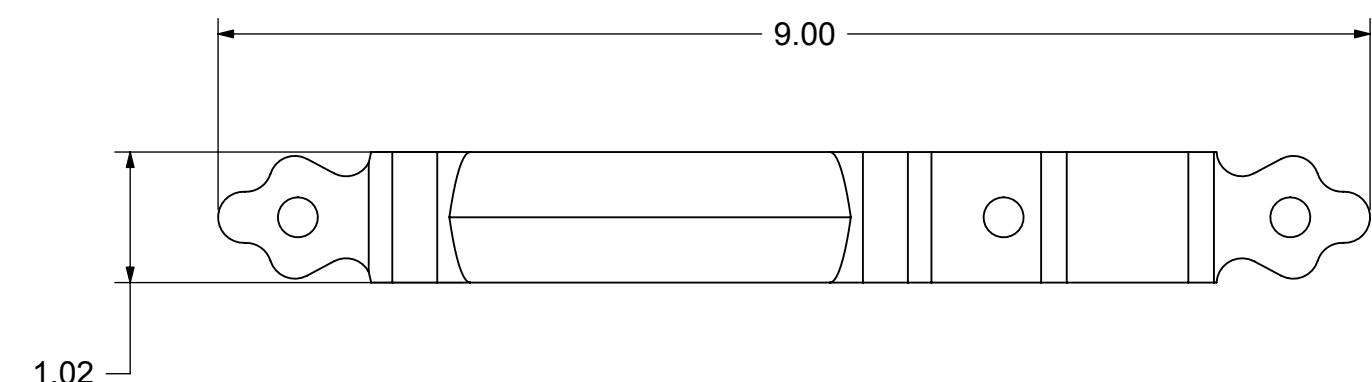
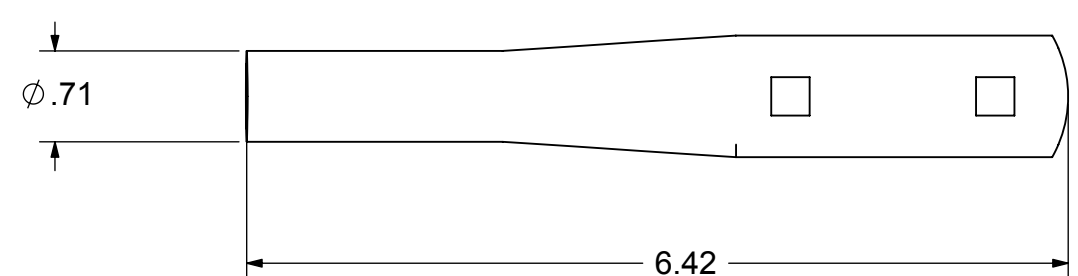
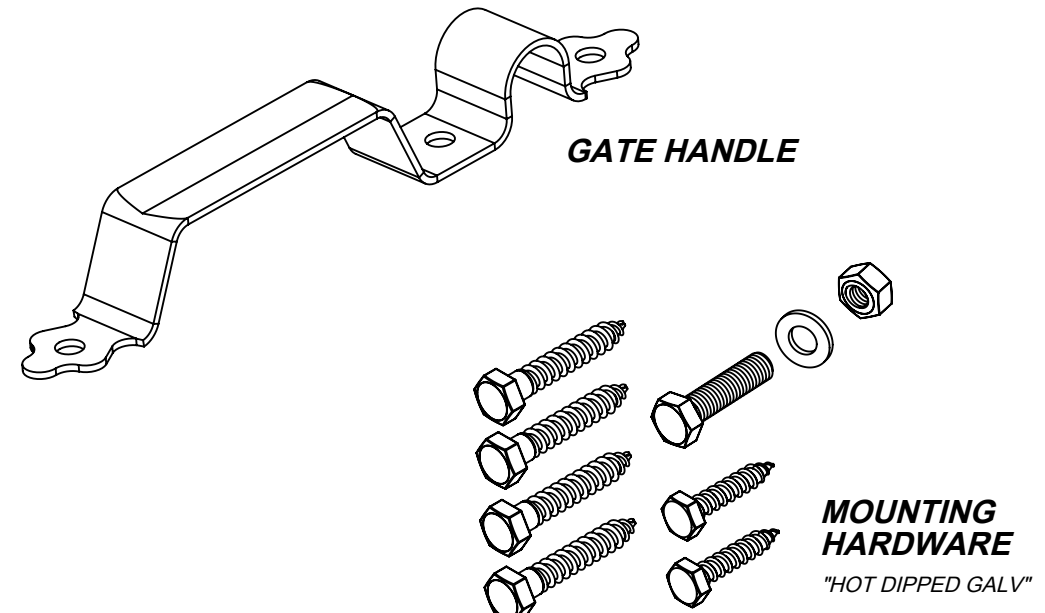
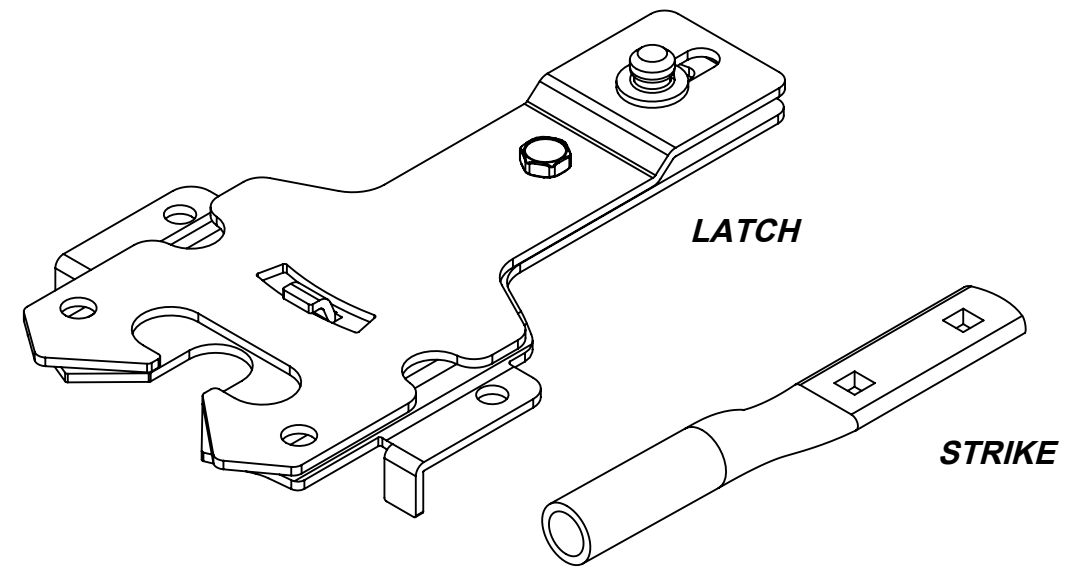
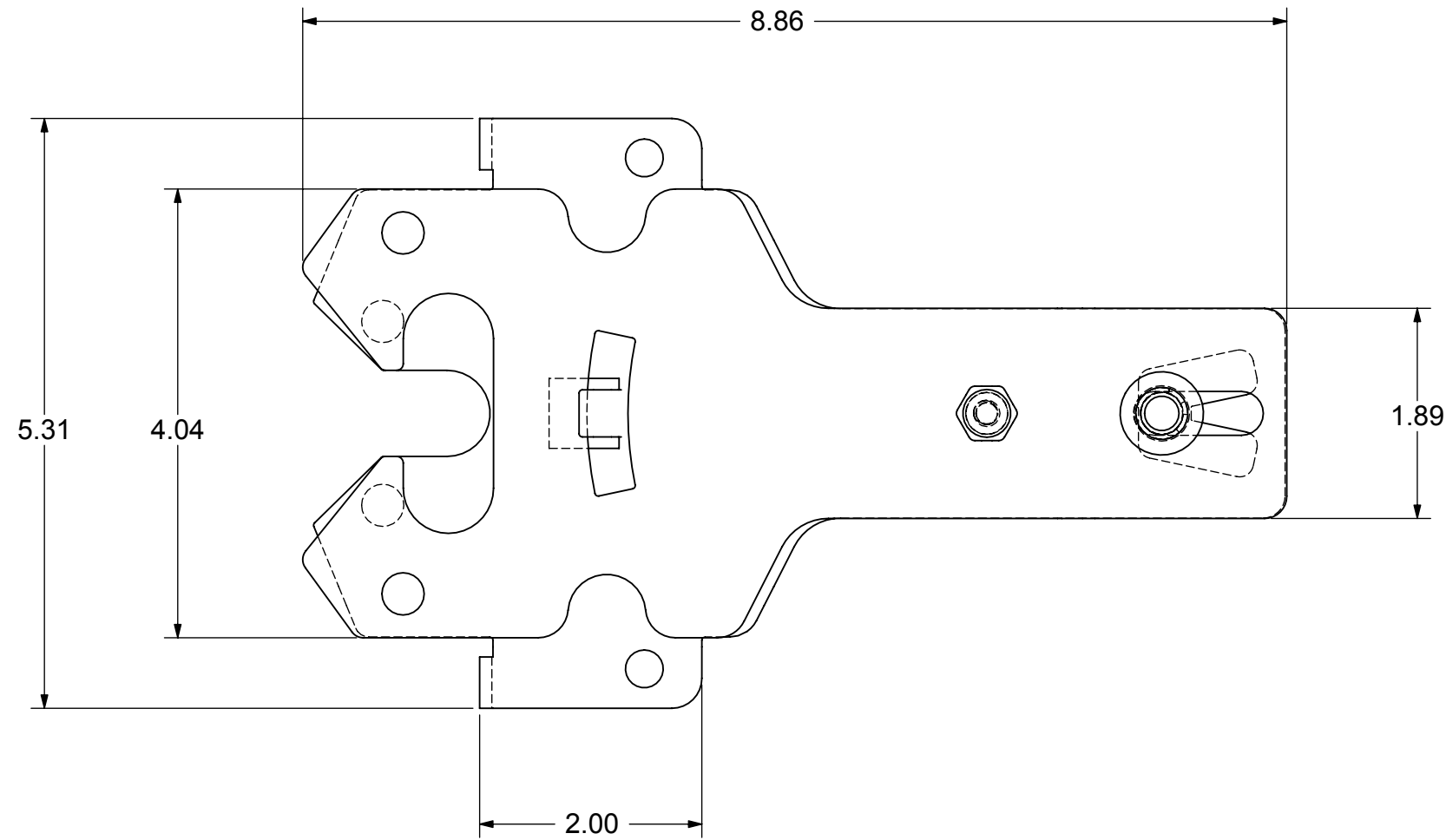


REVISIONS		DATE	APPROVED
ECR/DCR	REV.	DESCRIPTION	
	-	INITIAL RELEASE	BKF
		4-27-07	



DRAFT COPY			
		CONTEMPORARY POST LATCH	
<small>PROPRIETARY AND CONFIDENTIAL THE INFORMATION CONTAINED IN THIS DRAWING IS THE SOLE PROPERTY OF NATIONWIDE INDUSTRIES. ANY REPRODUCTION IN PART OR AS A WHOLE WITHOUT THE WRITTEN PERMISSION OF NATIONWIDE INDUSTRIES IS PROHIBITED. DO NOT SCALE DRAWING</small>			
SIZE B	DWG. NO. CS--NW38310Q	REV. -	SHEET 1 OF 1
SCALE: 1:1.5		WEIGHT:	