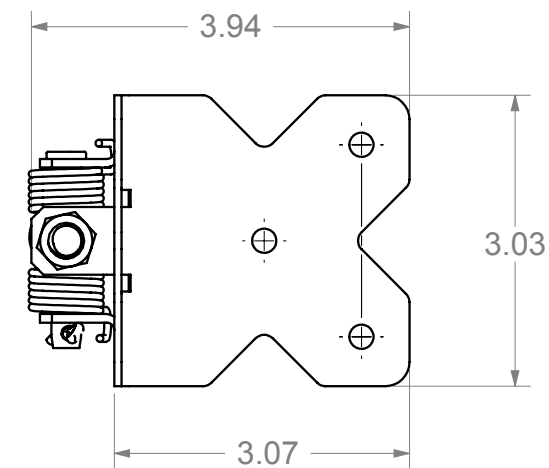
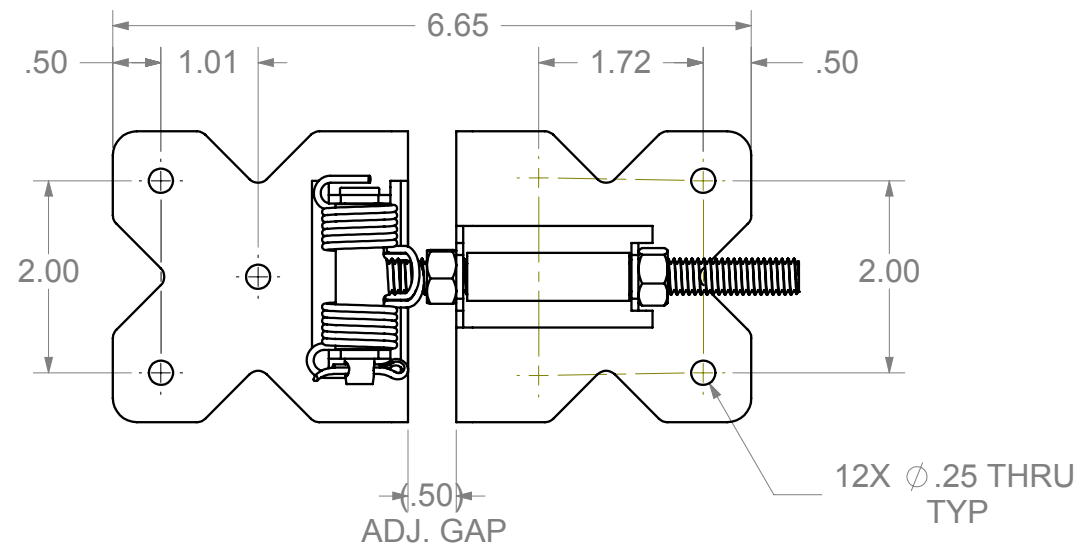
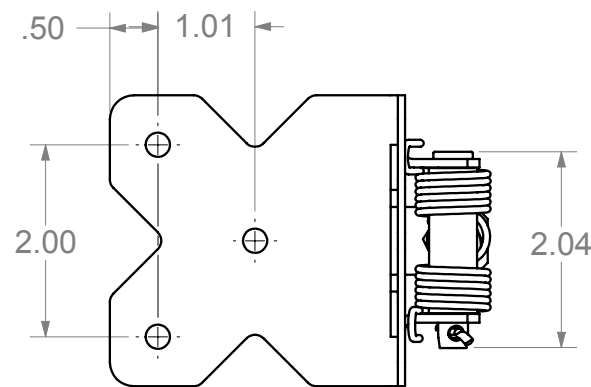
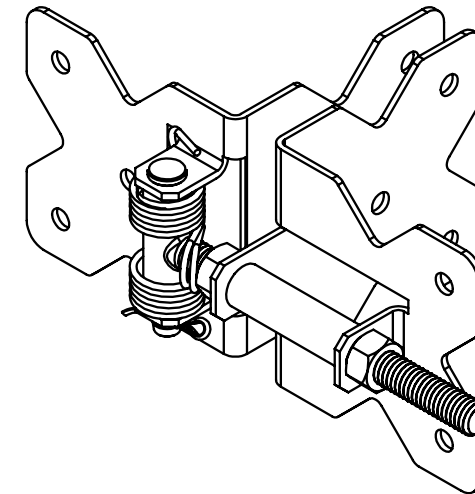
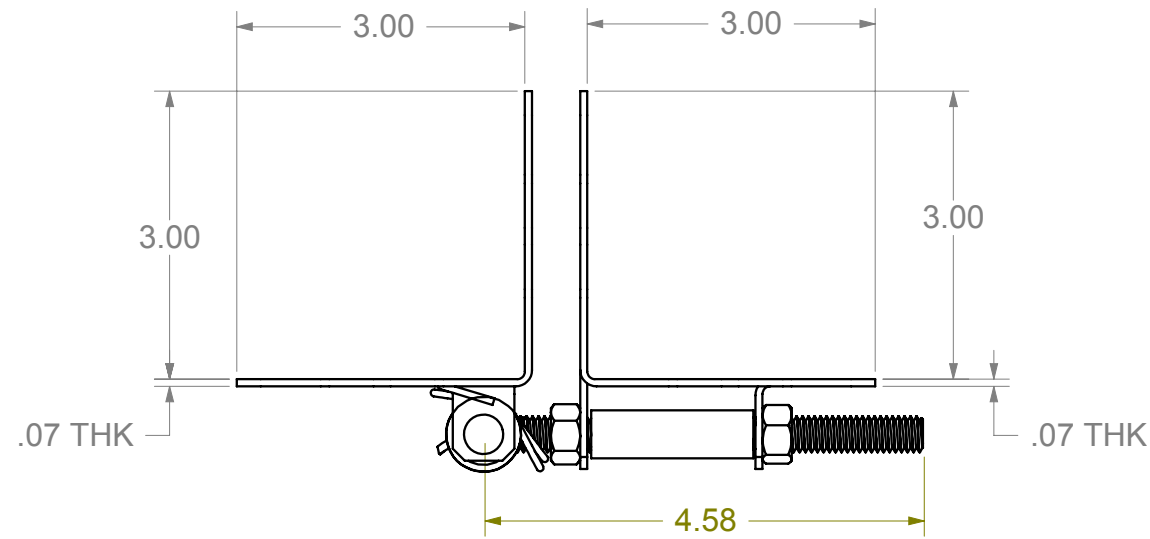
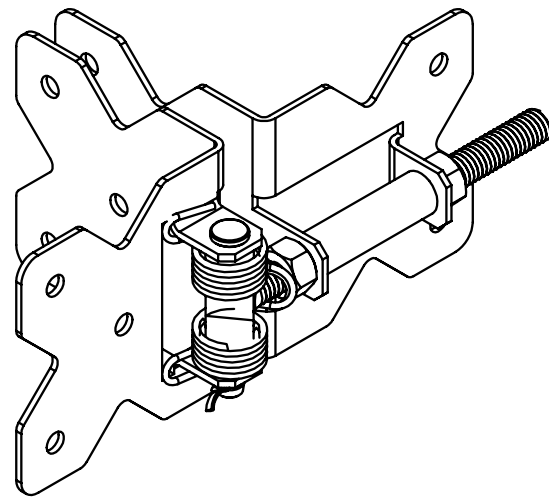


ECR/DCR REV.		REVISIONS DESCRIPTION	DATE	APPD
-	-	-	-	-



**STANDARD PACKAGING INSTRUCTIONS**

**EACH SET INDIVIDUALLY POLYBAGGED.**

**SET CONTAIN:**

**(2) HINGE ASSEMBLIES INDIVIDUALLY POLYBAGGED.**

**(1) FASTENER POLYBAG CONTAINING:  
(24) #14 x 3/4" PAN HEAD PHILLIPS SCREWS, S/S.**

**DRAFT COPY**

PROPRIETARY AND CONFIDENTIAL

THE INFORMATION CONTAINED IN THIS DRAWING IS THE SOLE PROPERTY OF NATIONWIDE INDUSTRIES. ANY REPRODUCTION IN PART OR AS A WHOLE WITHOUT THE WRITTEN PERMISSION OF NATIONWIDE INDUSTRIES IS PROHIBITED.

DO NOT SCALE DRAWING



**SELF CLOSING ADJ. HINGE  
SS**

SIZE <b>B</b>	DWG. NO. <b>CS--NW38952SCR</b>	REV. -
SCALE:1:2	WEIGHT: -	SHEET 1 OF 1