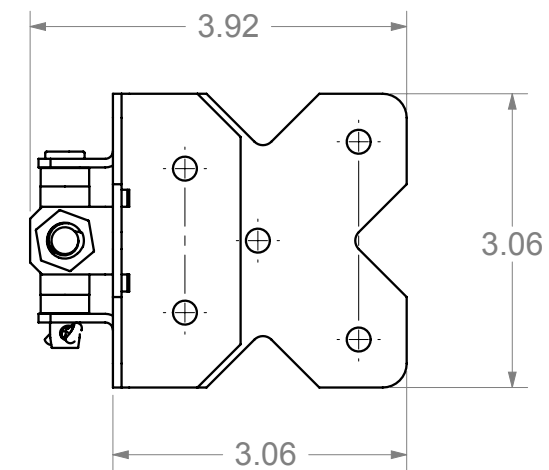
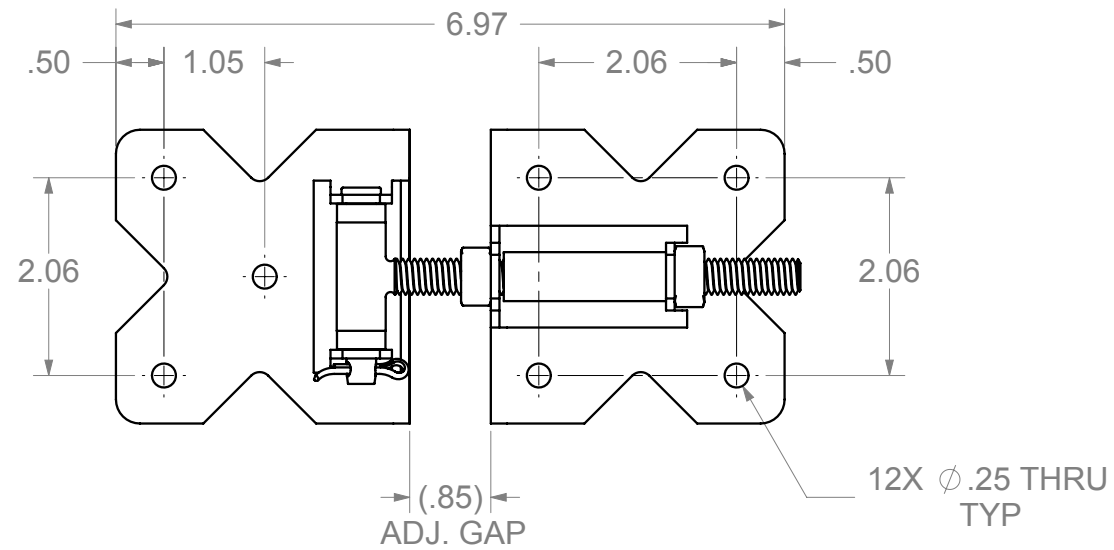
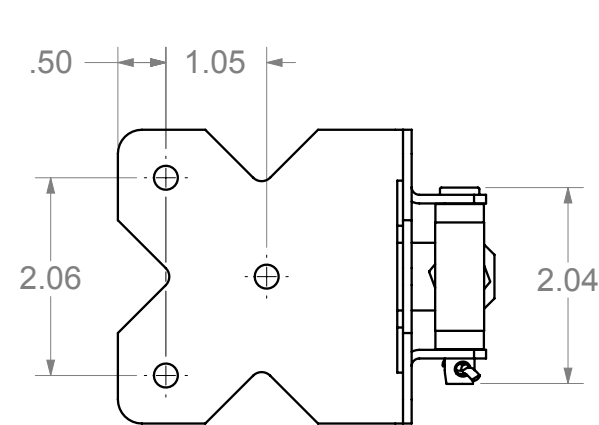
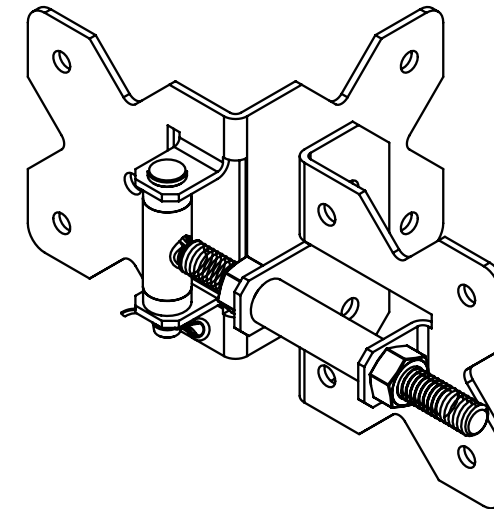
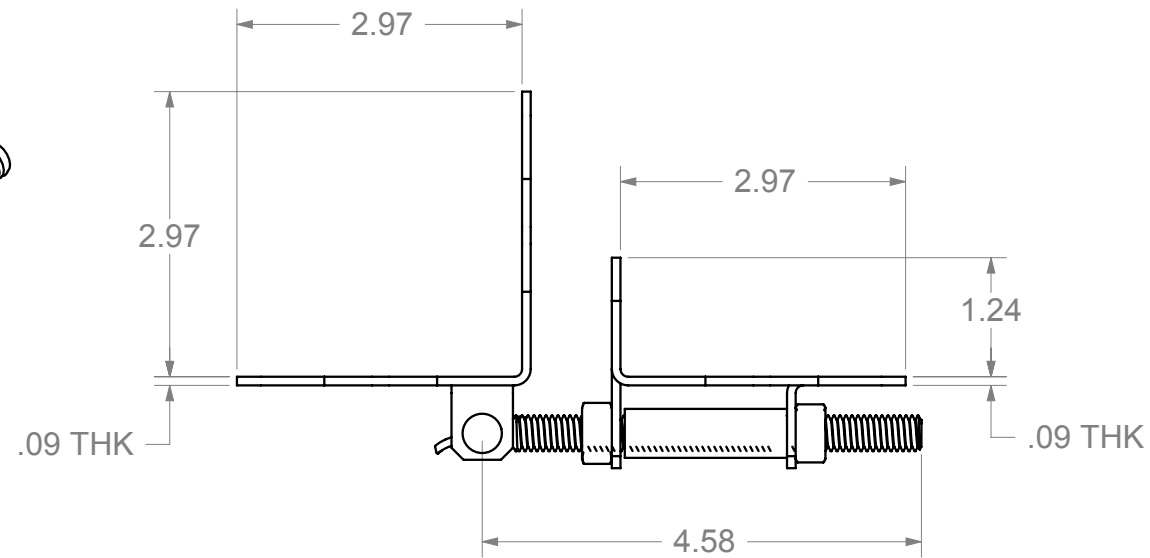
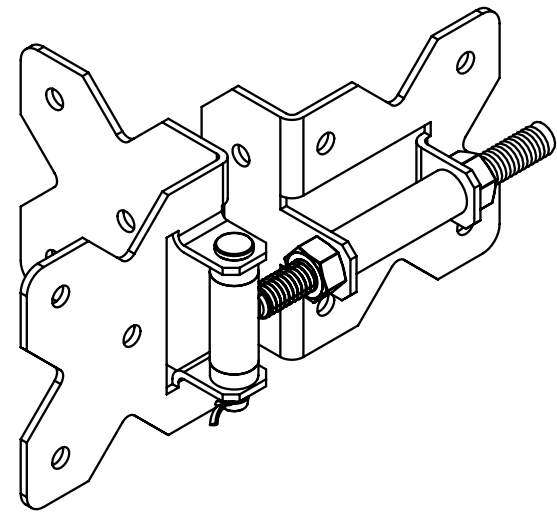


ECR/DCR REV.		REVISIONS DESCRIPTION	DATE	APPD
-	-	-	-	-



STANDARD PACKAGING INSTRUCTIONS

EACH SET INDIVIDUALLY POLYBAGGED.

SET CONTAIN:

(2) HINGE ASSEMBLIES INDIVIDUALLY POLYBAGGED.

**(1) FASTENER POLYBAG CONTAINING:
(24) #14 x 3/4" PAN HEAD PHILLIPS SCREWS, S/S.**

DRAFT COPY

PROPRIETARY AND CONFIDENTIAL

THE INFORMATION CONTAINED IN THIS DRAWING IS THE SOLE PROPERTY OF NATIONWIDE INDUSTRIES. ANY REPRODUCTION IN PART OR AS A WHOLE WITHOUT THE WRITTEN PERMISSION OF NATIONWIDE INDUSTRIES IS PROHIBITED.

DO NOT SCALE DRAWING



ADJUSTABLE HINGE

SIZE	DWG. NO.	REV.
B	CS--NW38953SCR-C	-
SCALE:1:2	WEIGHT: -	SHEET 1 OF 1