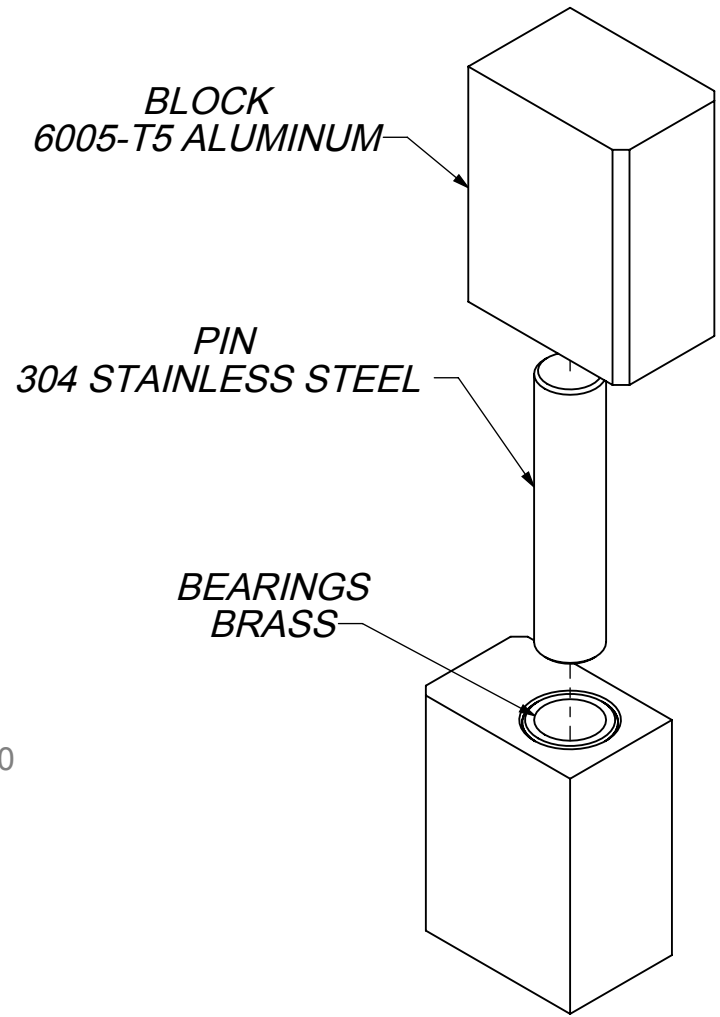
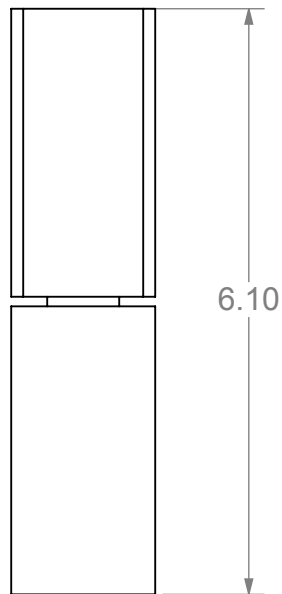
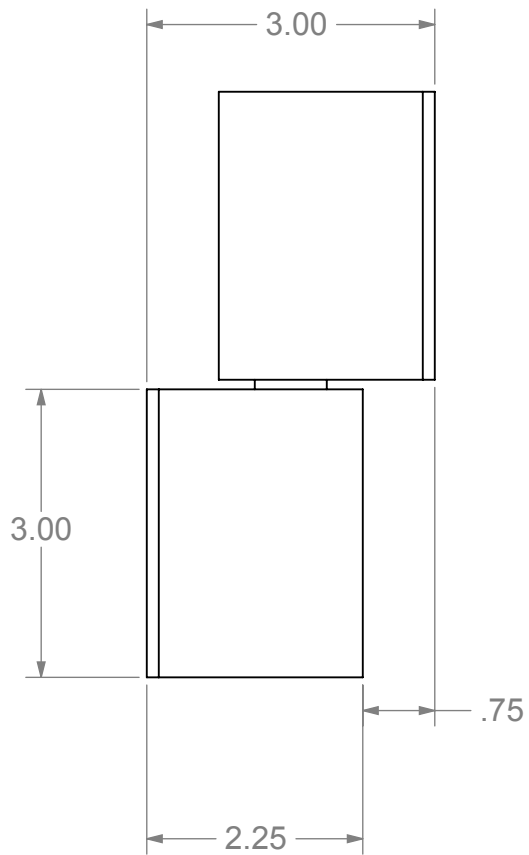
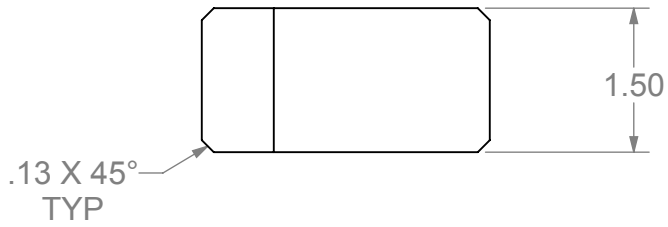



ECR/DCR		REV.	REVISIONS	DESCRIPTION	DATE	APPD
-	-	-	INITIAL RELEASE		3/14/12	-
-	-	1	REV'D PIN MATERIAL TO 304SS		10/30/14	-



DIMENSIONS ARE IN INCHES TOLERANCES: FRACTIONAL ±1/16" ANGULAR: MACH ±1° BEND ±1° TWO PLACE DECIMAL ±0.01 THREE PLACE DECIMAL ±0.005		 NATIONWIDE INDUSTRIES ALUMINUM BLOCK HINGE ASSEMBLY
PROPRIETARY AND CONFIDENTIAL THE INFORMATION CONTAINED IN THIS DRAWING IS THE SOLE PROPERTY OF NATIONWIDE INDUSTRIES. ANY REPRODUCTION IN PART OR AS A WHOLE WITHOUT THE WRITTEN PERMISSION OF NATIONWIDE INDUSTRIES IS PROHIBITED.		
SIZE A	DWG. NO. CS--NW6189	REV. 1
SCALE: 1:2	WEIGHT:	SHEET 1 OF 1