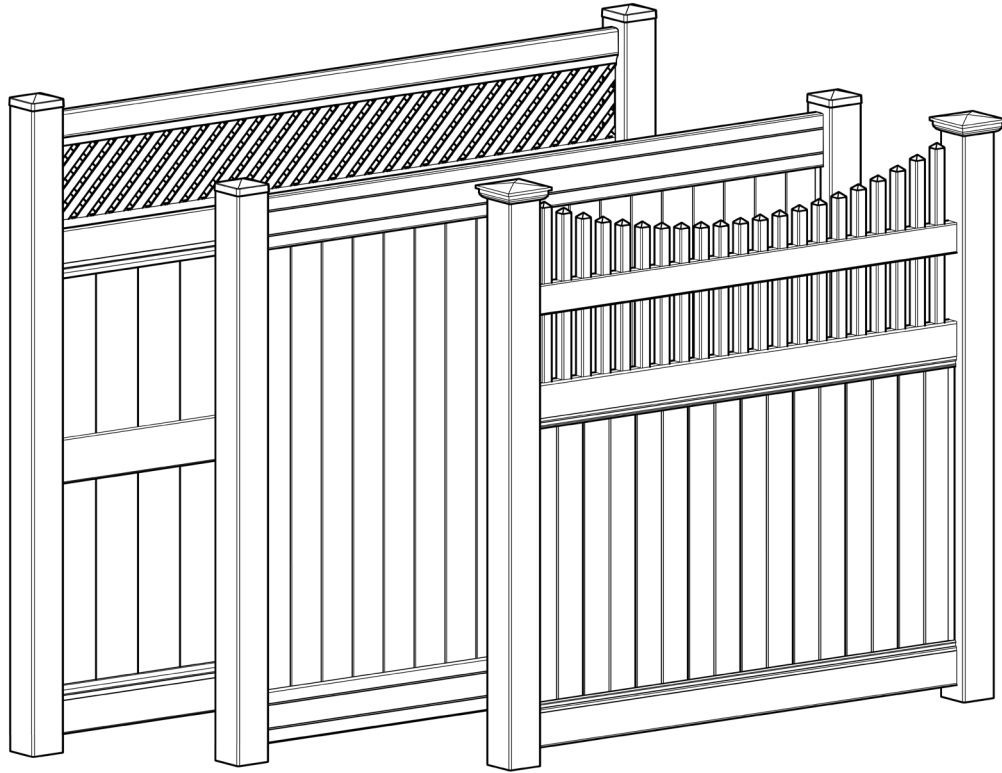




SUPERIOR™
OUTDOOR PRODUCTS

Vinyl Privacy Fence



Recommended Tools

- Safety Glasses
- String Line & Yard Tape Measure
- Power Drill w/ 1/8" bit
- Circular Saw w/ Fine Tooth Blade
- Post Hole Digger & Shovel
- Vice Grip Wrench
- Rubber Mallet

What's Included (per section)

- Top and Bottom Rails
- Panels per section (*varies by style*)
- Panel inserts (*Black Cambridge panels only*)

Options

- Middle Rail
- 48", 60", 72", 84", 90", 96", 108", 120", & 132" Posts
- Caps (*several styles available*)
- 2" x 6.5" Deco, 2" x 7" Smooth, 1.75" x 7" Classic, & 1.5" x 5.5" Smooth Rails
- Lattice, New England, & York Accents

Certain options only available on specific profiles

- *These directions are only a guide and may not address every situation.*
- *Always wear proper safety equipment while assembling and installing.*
- *The installer should obtain all required building permits and follow all installation procedures in accordance with applicable building code requirements.*
- *Superior Plastic Products, Inc. shall not be held liable for improper or unsafe installations.*
- *Applying paint, will void your warranty.*
- *To ensure proper coverage by our warranty please visit our website and complete the warranty form and mail to: Superior Plastic Products, Inc., 260 Jalyn Drive, New Holland, PA 17557*



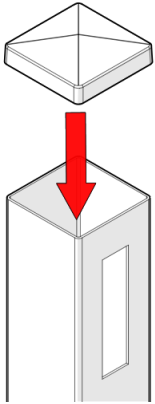
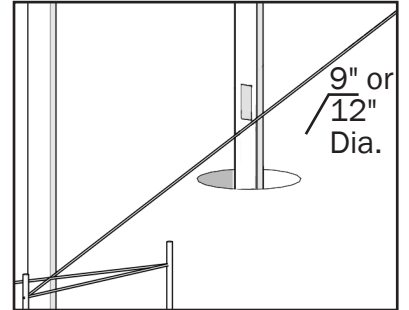
WARNING: This product can expose you to chemicals including Quartz (crystalline silica), which is known to the State of California to cause cancer, and Hexavalent Chromium, which is known to the State of California to cause birth defects or other reproductive harm. For more information go to www.P65Warnings.ca.gov.

SPPIG240819

WARNING: Darker colored components are more susceptible to warping and bending due to increased heat absorption. To minimize this risk, store these materials in a cool, shaded area and keep them in their white plastic bags as long as possible before and during assembly to avoid prolonged exposure to direct sunlight. Once assembled, the fence sections will warp minimally. Proper handling and storage are essential to ensure the components remain straight and fit together correctly during installation.

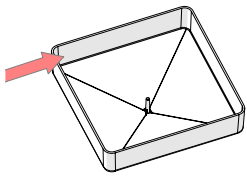
Post Layout

Lay a string line 2" above ground outlining the outside face of the posts. Determine the length of each section (*Diag. A*). Offset and mark post center positions from the string line.



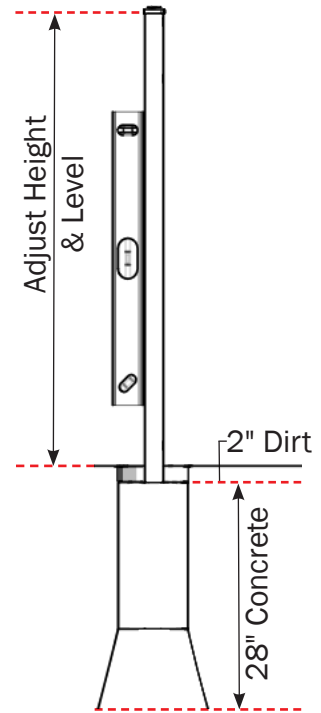
Dig 9" diameter holes (4" square post) or 12" diameter holes (5" square post) at each marked position. A proper depth should allow the bottom of the hole to fall beneath the frost line (*recommended 30"*). Bell out bottom of holes to help prevent frost uplift.

Caps should be placed on posts prior to setting. Secure caps by tapping them on with a rubber mallet. Apply PVC glue to inside walls to ensure caps remain secured.



Apply glue here

To ensure proper post depth and section height, align bottom edge of first routed post hole with string line. Fill the hole with approximately half the recommended concrete, then place the post. Measure height of post and adjust. Check and adjust level. Fill remaining space around the post with concrete until approximately 2" remains.



Repeat process for all posts. Once all posts have been installed, double check each post for correct level and height. Adjust as necessary.



Wait to fully Cure

Note: Concrete must be allowed to fully cure prior to installing fencing sections. (*Refer to manufacturer recommendations*)

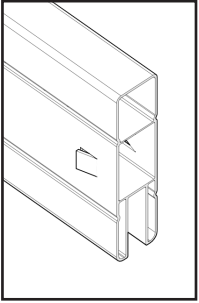
| Panel Infill | Post Distance (<i>on center</i>) |
|--------------|---------------------------------------|
| Cambridge | 76" (6' section) or 96" (8' section) |
| Boston | 73½" (6' section) or 99" (8' section) |

Diagram A

Note: If building a fence section with non-standard lengths, measure the distance from post center to post center, less ½". Use this dimension to cut rails to length (*if necessary*). If cutting a rail which contains pre-routed holes, remove an equal length from each end. Notch end of rails using the notching tool (*available from Superior Outdoor Products*).

Section Assembly

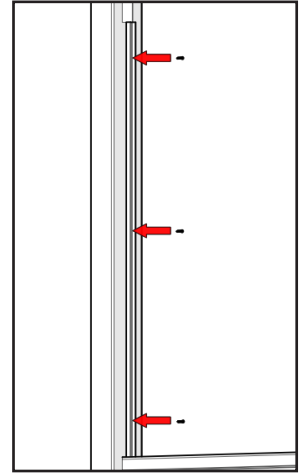
First, install bottom rail along with U-channel. Slide one end of rail into post far enough to allow opposite end of rail to be inserted into opposing post.



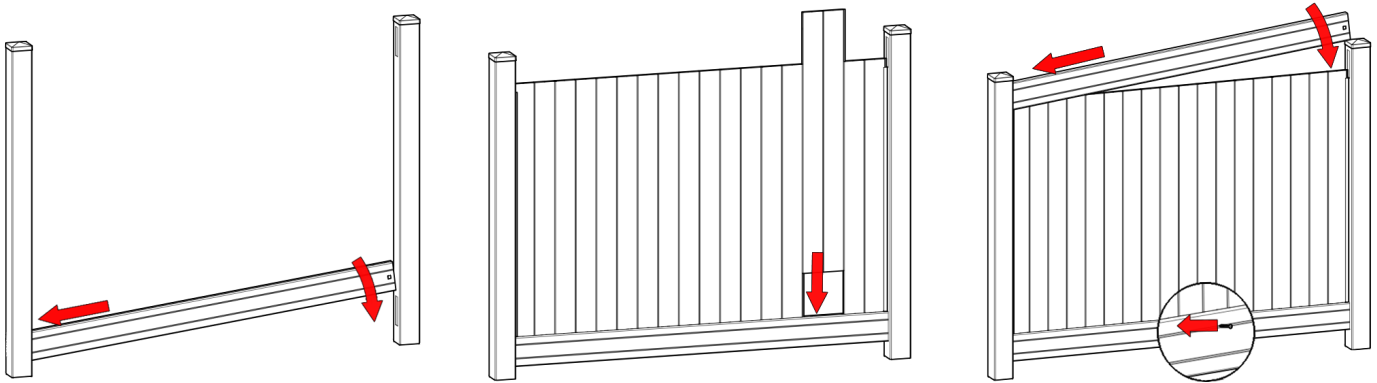
Then, fasten the C-channels to the post in a centered position using (3) #8 x 1" screws (*provided*). Cut to size if necessary.

Next, insert panels into the bottom rail. Ensure the tongue and grooves engage each other, and are facing the same direction.

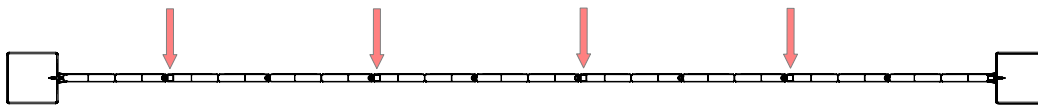
Note: When it is time to install the last two panels, place a panel in the last position first. Insert the remaining panel by engaging the tongue and groove of the panels beside it, and press firmly until seated.



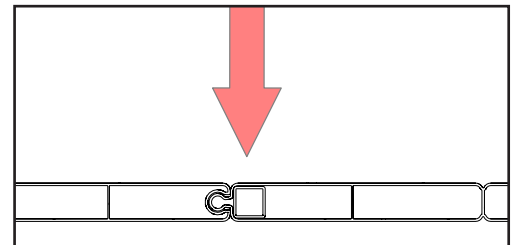
Place top rail along panels, and insert into one post then the other until the rail locks into place.



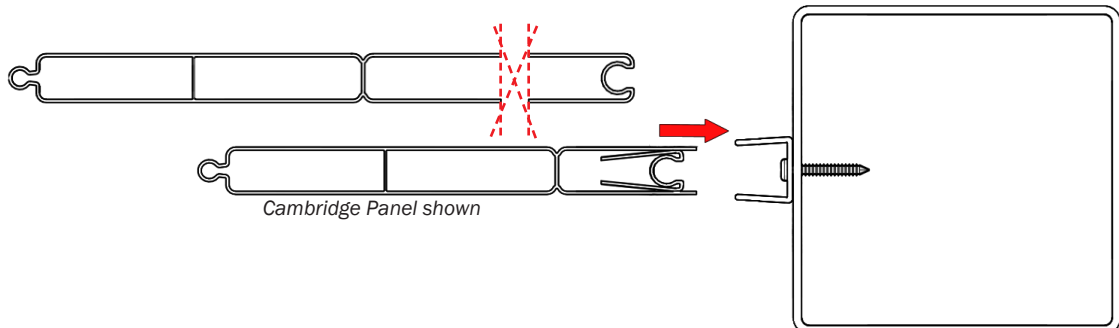
Note: If using colored vinyl, rails must have a screw placed directly in the center of both top and bottom rails fastening them to the center panel. This is to prevent warping due to heat.



Note: Black Cambridge panels require stiffening inserts to reduce warping in sunny environments. Place each of the included aluminum inserts into every second panel, as shown in the images.



If a panel must be cut down, do so safely and in a way that allows the remaining scrap to fit inside the panel (*as shown*). This will allow the end channel to fit tightly on the end.



Corner Install

For corner applications, each of the rail ends must be angle cut to prevent interference inside the post. Cut as little as necessary, ensuring that both crimps are not removed in the process (*it is acceptable to remove one crimp if necessary*).

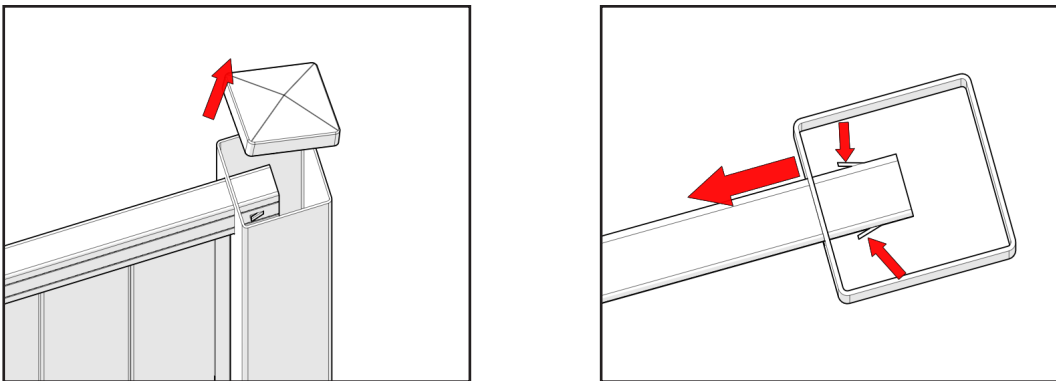


Note: For angles up to 45° holes must be routed larger to compensate for the rail angle.

Replacing a Panel

To replace a panel, the top rail of the fencing section which contains the panel must be removed.

Begin by removing the post cap on one end of the section and depressing the crimps while removing the top rail from the routed post hole. The panels are now free to be removed; proceed in replacing the panel in question. Then re-install the top rail as previously described.



Gate Install

When installing a gate, aluminum post channels (*highlighted*) should be used inside each post that supports the gate. Place the aluminum channel prior to installing rails and panels.

As opening sizes can vary, refer to instructions supplied with gate hardware to determine the proper opening width for gate to be installed.

