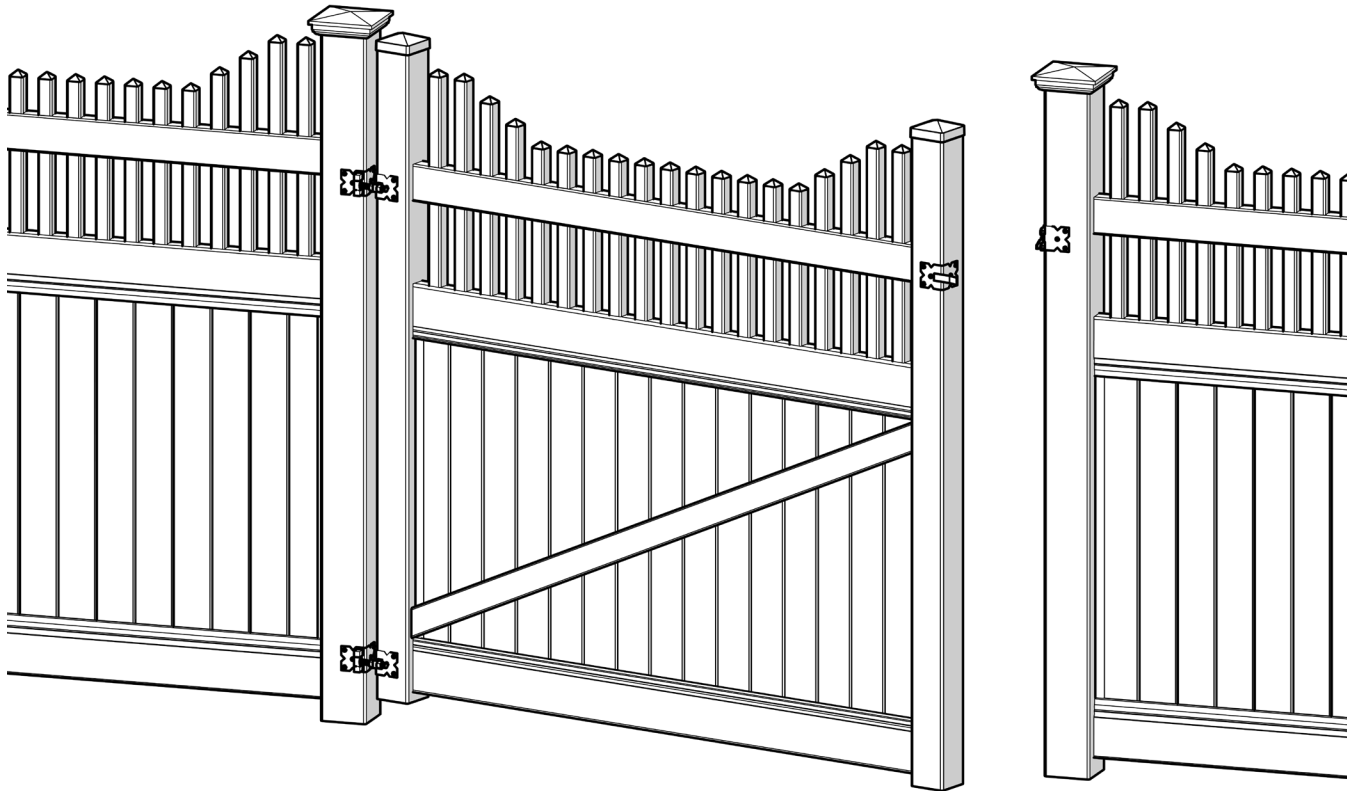




SUPERIOR[™]
OUTDOOR PRODUCTS

Vinyl Privacy Gate



Recommended Tools

- Safety Glasses
- Tape Measure
- Power Drill w/ $\frac{5}{32}$ " bit
- Rubber Mallet

What's Included

- (1 ea.) Top and Bottom Rails
- (2) Posts w/ Gate Blocks
- (?) Panels (*varies*)

Options

- Caps (*several styles available*)
- Gate Cross Brace
- Hinge & Latch Hardware
- Deco, Smooth, & Classic Rails
- Lattice & New England Accents

Certain Options only avail. on specific Profiles

- *These directions are only a guide and may not address every situation.*
- *Always wear proper safety equipment while assembling and installing.*
- *The installer should obtain all required building permits and follow all installation procedures in accordance with applicable building code requirements.*
- *Superior Plastic Products, Inc. shall not be held liable for improper or unsafe installations.*
- *Applying paint, will void your warranty.*
- *To ensure proper coverage by our warranty please visit our website and complete the warranty form and mail to: Superior Outdoor Products, Inc., 260 Jaly Drive, New Holland, PA 17557*



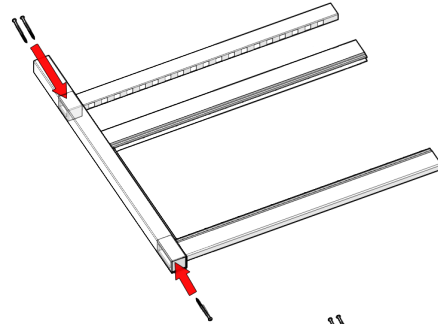
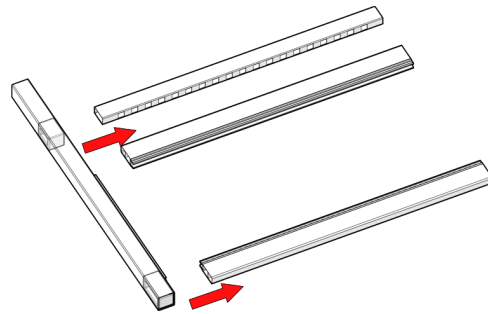
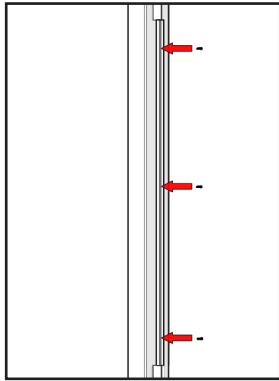
WARNING: This product can expose you to chemicals including Quartz (crystalline silica), which is known to the State of California to cause cancer, and Hexavalent Chromium, which is known to the State of California to cause birth defects or other reproductive harm. For more information go to www.P65Warnings.ca.gov.

SPPIG240830

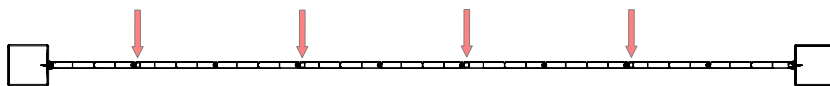
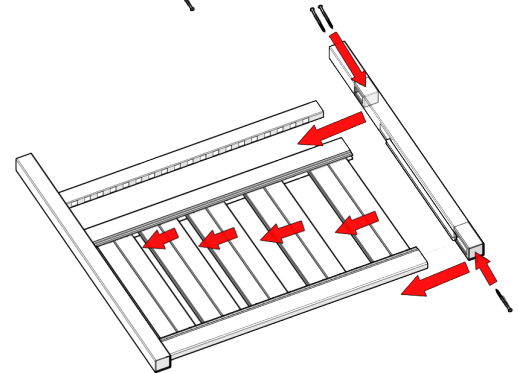
Gate Kits are packaged with all necessary components. All that is needed is to assemble them in the correct order.

First fasten the C-Channel to each Post in a centered position using #8 x 1" self-drilling screws (provided). Then Insert the Rails in a single Post until they are resting against the inside Post face (the Bottom Rail contains an Aluminum Channel).

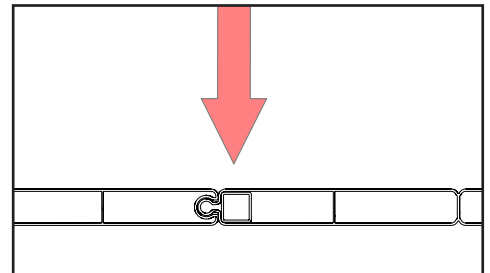
Fasten the Rails to their respective Gate Blocks using the long screws provided (sizes vary). A $\frac{5}{32}$ " pilot hole must be drilled through the Gate Block, and the Rail ending in the opposite side of the Gate Block. Two screws should be used on the Top Rail, and one on the Bottom Rail. Fasten until snug, and do not overtighten.



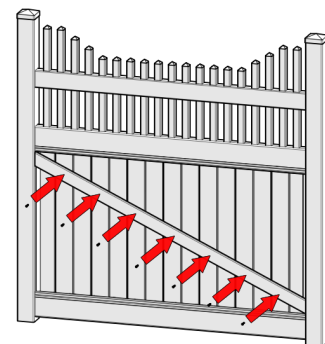
Next insert Panels between the Rails. Ensure the tongue and grooves' engage each other, and are facing the same direction. Then place the other Post, and fasten it in the same fashion as the first. (Reference Fence install guide for Accent installation).



Note: Black Cambridge panels require stiffening inserts to reduce warping in sunny environments. Place each of the included aluminum inserts into every second panel, as shown in the images.



If a Cross Brace is required; ensure the assembly is square, and align the Cross Brace(s) so that the angled ends meet at the corners where the Top and Bottom Rails (of Privacy Panels) enter the Posts. Drive the #10 x 2 1/2" self-drilling screws (provided) through the inside Brace, and Panel into the outside Brace. Do so at evenly spaced intervals.



When installing Gate Hinge or Latch Hardware follow the instructions included with each hardware set.

If Fence installation is surrounding a swimming pool; Local Building Pool Codes must be followed. Most Pool Codes contain specific height requirements regarding the installation of Gate Latch Hardware, and specific Cross Brace requirements.