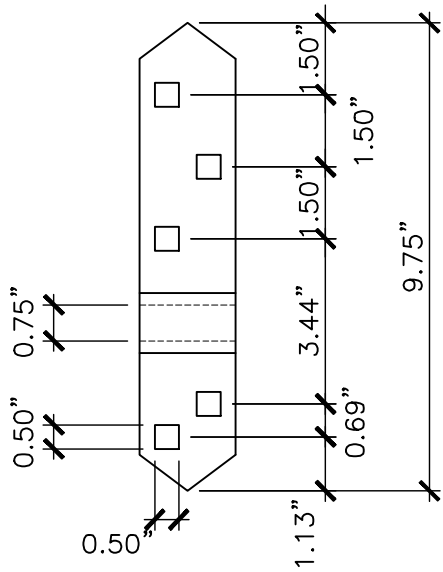


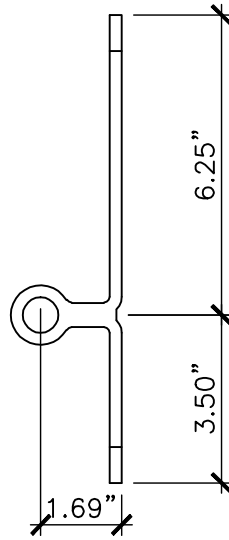
PROPERTY OF: SNUG COTTAGE HARDWARE LLC MARYSVILLE MI. 48040	PRODUCT DESCRIPTION: 24" REAR EYE DOUBLE STRAP HINGE – 3" BETWEEN STRAPS ALL DIMENSIONS $\pm 0.125"$	PART NUMBER: 8324-242/24SP
---	--	-------------------------------



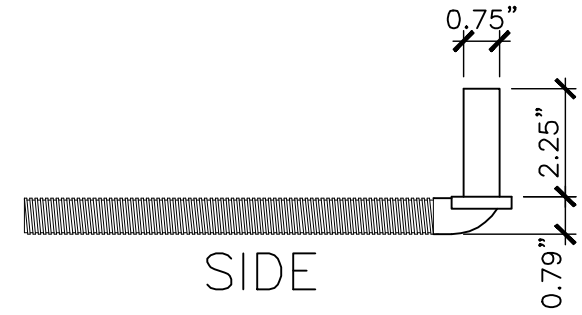
FRONT



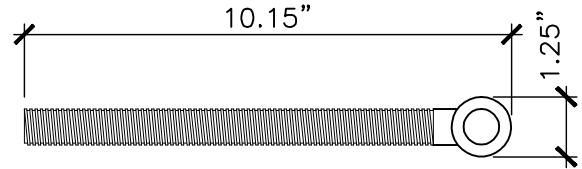
TOP



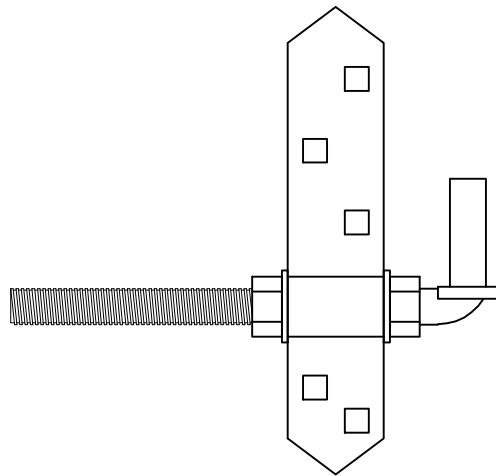
SIDE



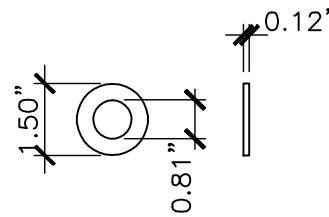
SIDE



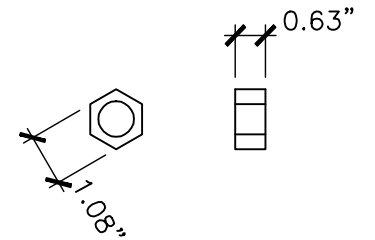
TOP



FRONT ASSEMBLED



WASHER X2



NUT X2

PROPERTY OF:  
 SNUG COTTAGE  
 HARDWARE LLC  
 MARYSVILLE MI.  
 48040

PRODUCT DESCRIPTION:  
 3/4" MOUNTING PLATE WITH 8" ADJUSTABLE PIN  
 ALL DIMENSIONS  $\pm 0.125"$

PART NUMBER:  
 8256-342/34P