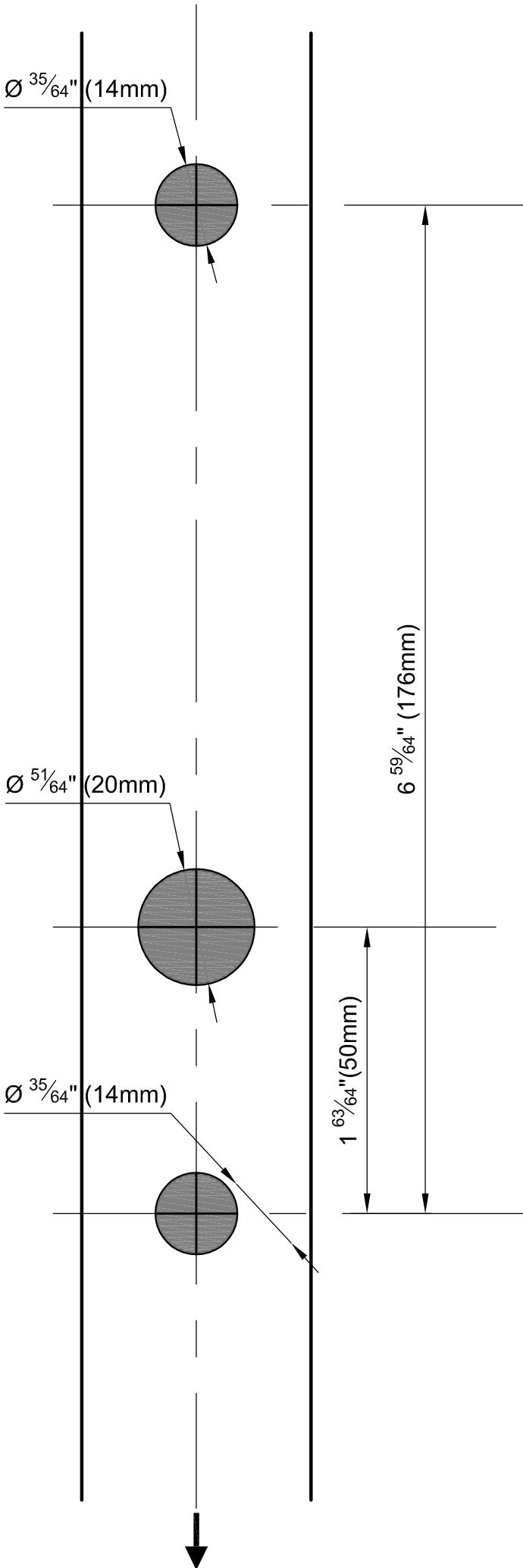
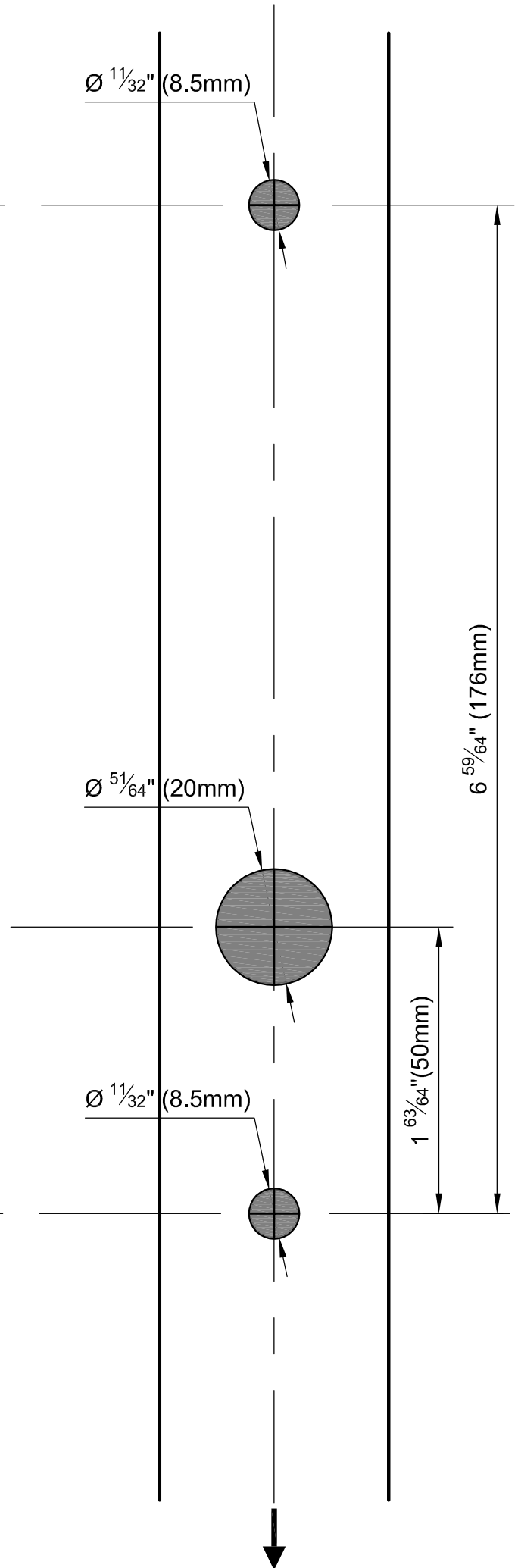


TEMPLATE (OUTSIDE)



TEMPLATE (INSIDE)



CUT ALONG THE DOTTED LINE