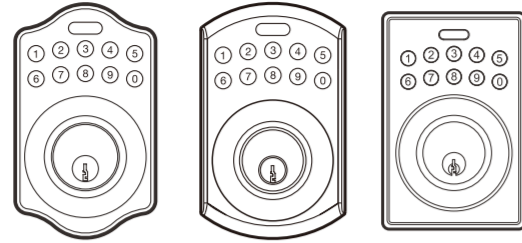


ELECTRONIC DEADBOLT

Installation Guide



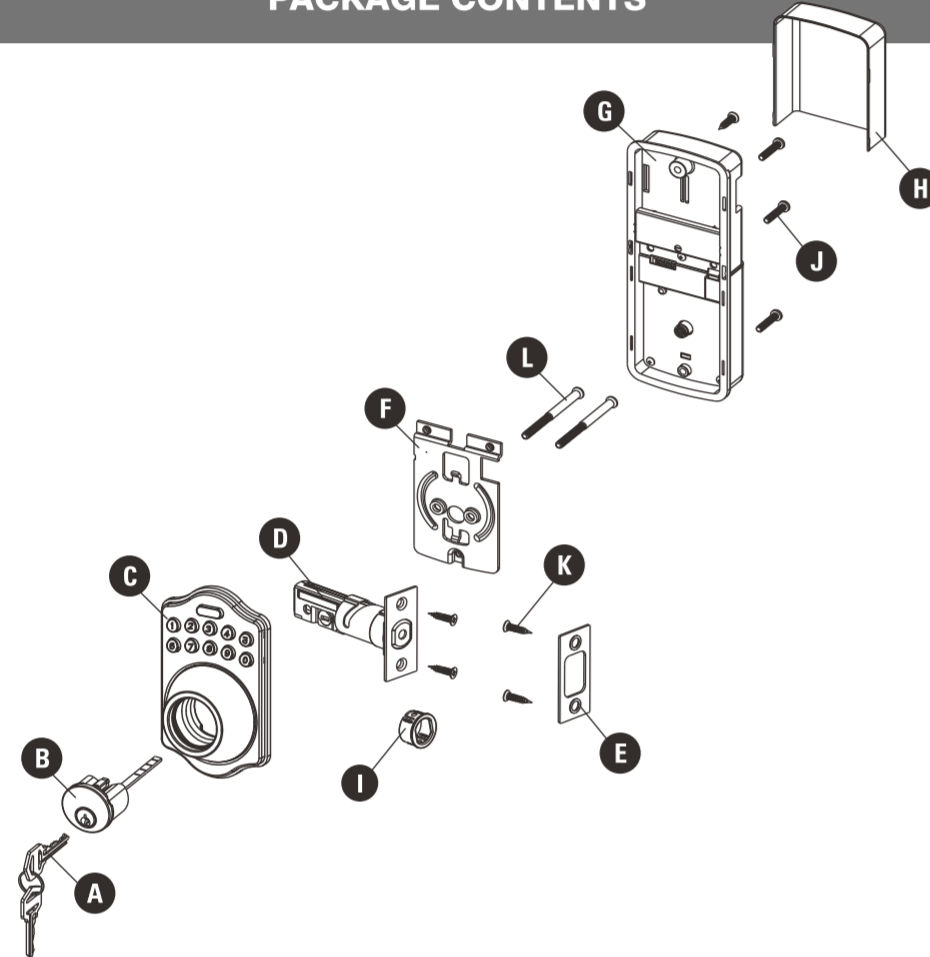
WARNING

Do not use an electric screwdriver during installation.

WARNING

This Manufacturer advises that no lock can provide complete security by itself. This lock may be defeated by forcible or technical means, or evaded by entry elsewhere on the property. No lock can substitute for caution, awareness of your environment, and common sense. Builder's hardware is available in multiple performance grades to suit the application. In order to enhance security and reduce risk, you should consult a qualified locksmith or other security professional.

PACKAGE CONTENTS



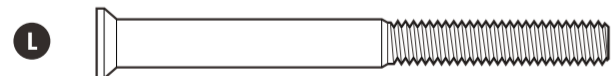
Part	Description	Quantity	Part	Description	Quantity
A	Key	2	E	Strike Plate	1
B	Cylinder	1	F	Mounting Plate	1
C	Deadbolt Keypad Assembly	1	G	Receiver Assembly	1
D	Deadbolt Latch	1	H	Battery Cover	1
			I	Drive-in Sleeve (Optional)	1

HARDWARE SCREWS CONTENTS



Machine Screws Qty. 3

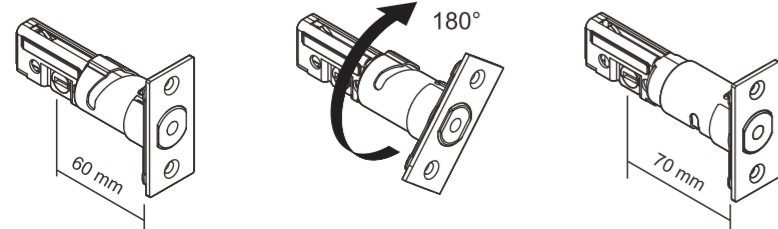
Wood Screws Qty. 5



Deadbolt Chassis Screws Qty. 2

LATCH ADJUSTMENT

Determine if the latch needs to be adjusted to the 2-3/4" (70 mm) backset. To adjust, rotate the latch until it stops. Reverse the direction to return to the 2-3/8" (60 mm) backset.



2-3/8" (60 mm)

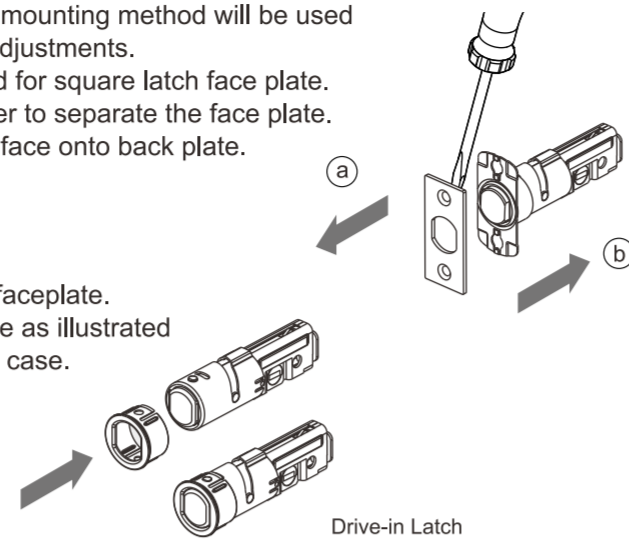
2-3/4" (70 mm)

CHANGE LATCH FACE

Determine which latch mounting method will be used and make necessary adjustments. No adjustment required for square latch face plate.
a. Use a flat screwdriver to separate the face plate.
b. Snap selected latch face onto back plate.

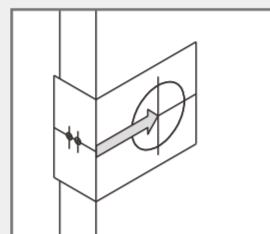
Drive-in Installation

Remove original latch faceplate. Align the drive-in sleeve as illustrated and snap into the latch case.



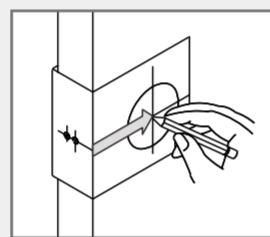
Drive-in Latch

1 Backset Determination



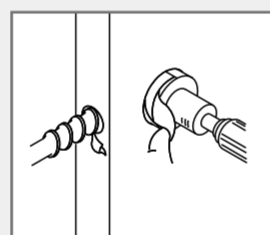
Backset is a distance from door edge to centre of hole on door face. Adjustable latch fits both backset of 2-3/8" (60 mm) and 2-3/4" (70 mm).

2 Mark the Door with Template



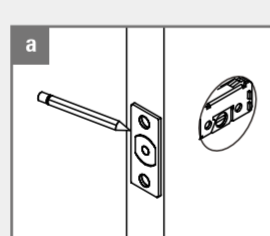
Select the height and backset as desired on the door face; use the TEMPLATE as an indication to mark the centre of the circle on the door face and the centre of the door edge.

3 Drill Holes



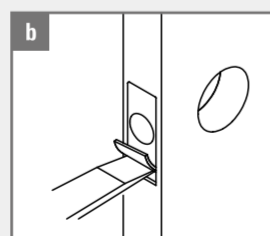
Using the marks as a guide to drill a hole Ø2-1/8" (54 mm) through the door face for the lockset, then a hole of Ø1" (25.4 mm) for latch.

4 Install Latch

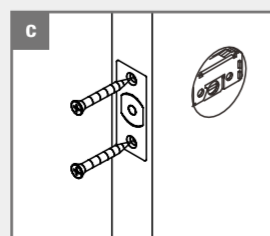


Insert the latch and ensure it is parallel to the door face. Mark the outline of the faceplate, then take out the latch.

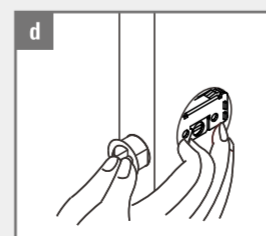
You need to stay this way up when inserting the latch.



Chisel 5/32" (4 mm) deep along the outline to allow the faceplate to be aligned with the door edge.

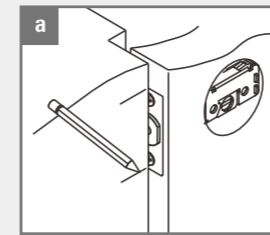


Insert the latch into the door. Use 2 wood screws to secure latch. Please do not fully tighten the screws until lock is completely installed.

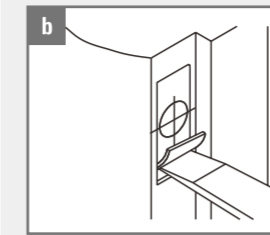


Install Drive-in Latch
Drive the latch into the hole on edge of door.

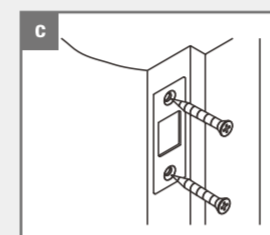
5 Install Strike



To identify the centre of strike: close the door to lay the latchbolt against the door frame. Mark the centre line on the doorframe exactly opposite the latch hole in the door edge.



Measure one half of door thickness from door stop and vertically mark centre line of strike. Drill 1" (25.4 mm) hole, 1" (25.4 mm) deep at intersection of horizontal and vertical line of strike.



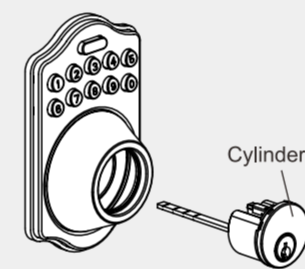
Install the strike plate into your door frame and tighten with wood screws.

Chisel 5/64" (2 mm) deep along the strike outline to allow the strike to be aligned with the doorframe.

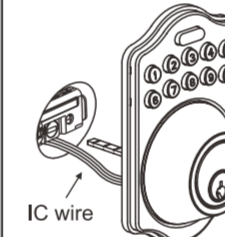
6 Install Keypad Assembly

Install cylinder into the deadbolt keypad assembly with tailpiece in horizontal position inserted through hub of the latch.

Pass the IC wire under the latch to the interior side of the door.

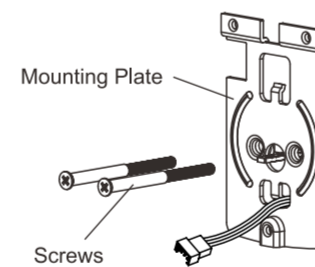


Cylinder



IC wire

7 Install Inside Mounting Plate



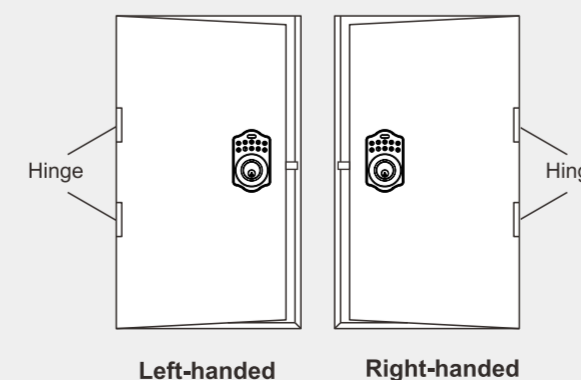
Mounting Plate

Screws

Pass the IC wire through the wire hole of the mounting plate. Fix the mounting plate with screws. If outside lock assembly is lopsided, please loosen the screws to adjust its position and tighten the screws again.

8 Identify Door Handing

Face the door from the outside. The door is left-handed if the hinges are on the left side of the door, whereas the door is right-handed if the hinges are on the right side of the door.



Left-handed

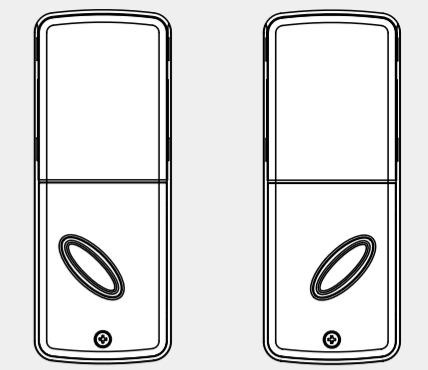
Right-handed

9 Adjust Thumb Turn Piece

Rotate the thumb turn piece to the LEFT at 45 degrees for right-handed doors.

Rotate the thumb turn piece to the RIGHT at 45 degrees for left-handed doors.

Note : The thumb turn piece is opposite to the latching side.

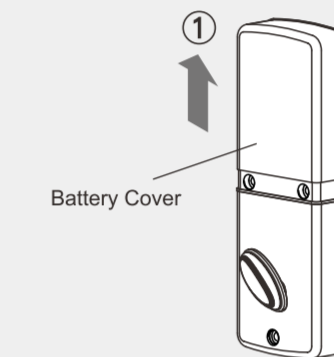


For right-handed door

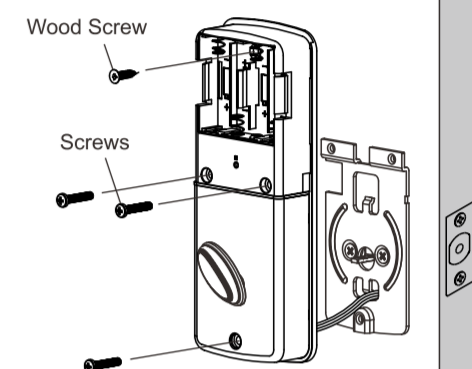
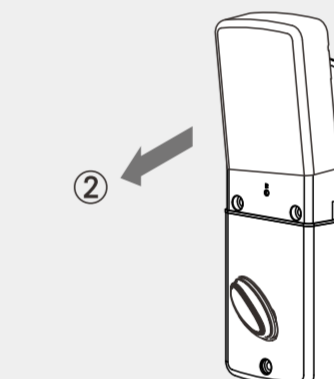
For left-handed door

10 Install Receiver Module

Remove the battery cover (push it up first then pull it out).



Battery Cover



Wood Screw

Screws

Connect the IC wire into the back of the receiver module. Ensure that the deadbolt tailpiece is engaged with turn piece, then attach receiver module to the door with screw. Use the optional wood screw to secure the receiver module to wood doors only.

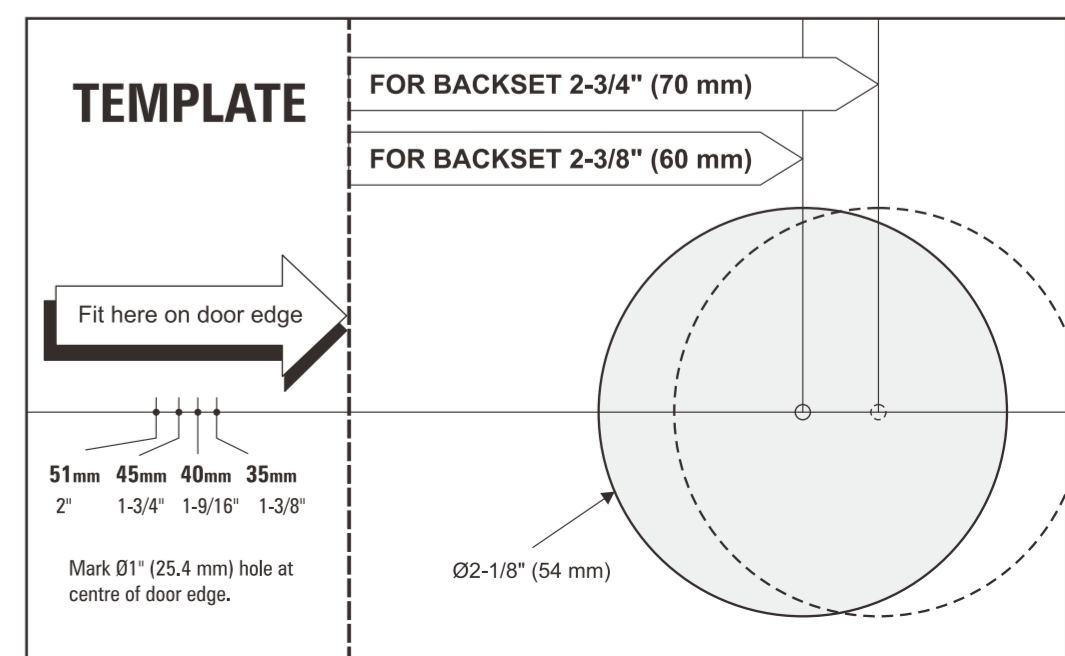
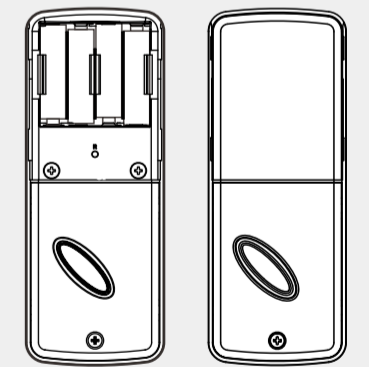
11 Insert Batteries

Insert 4 (AA) 1.5 V alkaline batteries and slide the battery cover back onto the receiver module.

Remarks:

(1) Alkaline batteries are recommended in order to stabilize the power supply. If you don't use alkaline, battery performance will be reduced greatly.

(2) All settings will be retained in the memory even if the batteries are completely dead.



TEMPLATE

FOR BACKSET 2-3/4" (70 mm)

FOR BACKSET 2-3/8" (60 mm)

Fit here on door edge

51mm 45mm 40mm 35mm
2" 1-3/4" 1-9/16" 1-3/8"

Mark Ø1" (25.4 mm) hole at centre of door edge.

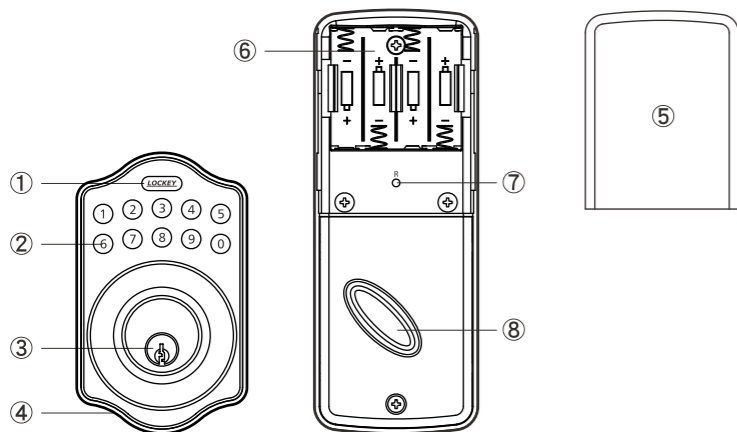
Ø2-1/8" (54 mm)

ELECTRONIC DEADBOLT

User Guide

Do not use any chemical liquid or lubricating oil with additives to clean the lock body. It will damage the surface or even mainboard.

Operational Interface



1 Programming Button

Programming button is for entering codes, clearing errors and setting function. It is also used to lock the door.

2 Number Buttons

To enter user codes. Each user code is 4–10 digits in length.

3 Cylinder

To lock/unlock the lockset from outside.

4 Washer

Prevents water from permeating into lockset.

5 Battery Lid

Slide the lid to change the batteries.

6 Battery Holder

Four AA (1.5 V) alkaline batteries.

7 R Button (Reset)

Restore default settings.

8 Turn-piece

To lock/unlock the lockset from inside.

Operating Instructions

Keep the door open while programming to avoid being locked out accidentally.

The lock contains one factory-preset user code but can be programmed to store up to a total of six additional unique use codes.

Codes can be added and deleted at any time.

For first-time programming, use factory default programming code.

It's recommended to change the default programming code and default user code right after your install the lock.

Operation Indicator Sounds and Lights

Sounds	Lights	Meaning
1 Beep	Flashes Green Once	Successful Operation
2 Long Beeps	Flashes Green Twice	Successful Programming
3 Beeps	Flashes Red 3 Times	Operation Error
5 Beeps	Flashes Red 5 Times	Code Input Error; System Shuts Down for 45 seconds
10 Rapid Beeps	Flashes Red 10 Times	Low Battery Power
3 Long Beeps	Flashes Orange 3 Times	Default Setting Restored
	Flashes Orange Slowly	In Programming Mode

Default programming code (PC): 0000

Default user code (UC): 1234

Your new programming code (PC) _____

Your new user code (UC) _____

The same programming code and user code cannot be accepted.

The lock will cease operation if unauthorized codes are entered over 5 times. The system will unfreeze after 45 seconds.

1 Door Handing Identification Process

The lock needs to learn if your door is a right-handed or left-handed.



DO THIS FIRST



2 Change Programming Code



3 Add New User Code



Note: Up to 6 sets of user codes can be saved. User codes should be 4–10 digits in length.

4 Delete an Existing User Code



5 Delete All User Codes at Once



Note: Auto-locking and keypad locking functions will be invalid when user codes are deleted. The lock can only be operated by key during that time.

6 Toggle Auto-Lock On/Off



Note: The preset delay-time is 30 seconds, you can change the time by following instructions #7. Repeat the steps in #6 to cancel the auto-locking function.

7 Set Auto-Lock Time Delay



Note: 10–99 seconds delay-time available.

8 Toggle Mute On/Off



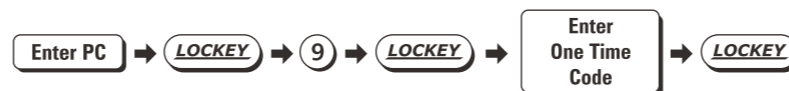
Note: Repeat same steps in #8 to turn beeper On/Off. LED illumination is still functioning when it's in mute, but there will be no warning alarms.

9 Enable/Disable All User Codes



Note: Auto-locking and keypad locking functions will be invalid when user codes are disabled. The lock can only be operated by key during the time. Repeat the steps to enable the user codes again.

10 Create a One-Time User Code 4–10 Digits Long



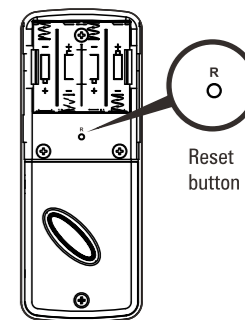
Note: The one-time user code will automatically cancel after it is used one time.

11 Restore Default Settings

Press **R**

Note: Press the button for more than 5 seconds; the programming is reset back to the original factory codes once you hear 3 long beeps.

After restoring default settings, you must run the door handing identifying process (#1) again before programming any other functions.



Trouble shooting

PROBLEM	POSSIBLE CAUSE	CORRECTIVE ACTION
After installing the lockset and batteries, the door can't be locked and three short beeps are emitted when you press the Programming button.	The door-handing identification process isn't yet complete.	Refer to step 1.
You've installed the lockset and batteries, but you still get no response when you press any button.	Batteries were installed incorrectly.	Check to see if the battery polarities have been reversed or if the battery is dead. If so, re-install or change the battery. If not, please check to see if the cable is properly connected.
When you are in the door-handing identifying process, you get the red light flashing three times, and three short beeps.	Wrong door-handing or change of the door-handing in the memory.	Press the R button to restore the system to factory default setting and re-execute door-handing identifying process (Refer to step 1)
Although you succeeded in the first execution of the door-handing identifying process, the latch still doesn't work. (i.e. You can feel the motor attempting to run, but the latch bolt is stuck, and the turnpiece can't be rotated.)	Low battery.	Replace with new alkaline batteries.
Although the electronic deadbolt has been functioning normally, the latch bolt suddenly locks up, and the turnpiece inside can't be rotated, not even with a key.	The deadbolt latch is stuck due to a warped door or misaligned door.	First, take out one battery, then press any button on the front panel for electric discharge, and put the battery back in. The latch bolt will automatically re-detect its position. Note: If the latch gets stuck frequently, please check and fix the alignment of the deadbolt latch & strike plate.
The door can be locked normally, but when you try to unlock it, you hear three short beeps and the lock won't unlock when you enter the user code and press the programming button.	The sensor did not sense position.	Unlock the door with the key and re-program the unit. If the problem persists, call our customer service department.
While the door is locked, you hear the latch bolt coming out when you press the Gatehouse to lock the door; however, three short beeps are emitted. Conversely, while the door is open, no beeps are emitted when locking the latch bolt.	(1) The depth of the latch bolt hole is insufficient. (2) The latch bolt is not aimed at the opening of the strike.	(1) Dig the latch bolt hole for the strike deeper. The minimum depth is 1" (2.5 cm). (2) Adjust the strike to the appropriate position.

Warranty

The manufacturer warrants the product to be free from defects in material and workmanship for a period of 12 months from the original date of purchase. If you discover a defect in the product covered by this warranty, we will repair or replace the item at our option using new or refurbished components.

EXCLUSIONS

This warranty covers defects in manufacturing discovered while using the products as recommended by the manufacturer rather than occurred by the act of God, and damages caused by misuse, abuse, and unauthorized modification.

LIMITED LIABILITY

The manufacturer will not be held liable for incidental or consequential losses or damages from any act of God.

CERRADURA ELECTRÓNICA

Guía de instalación

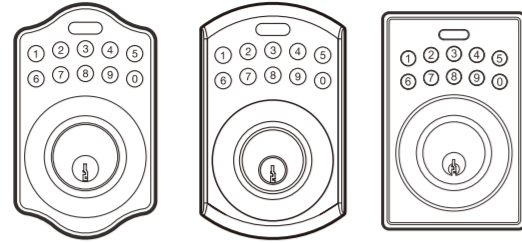


ADVERTENCIA

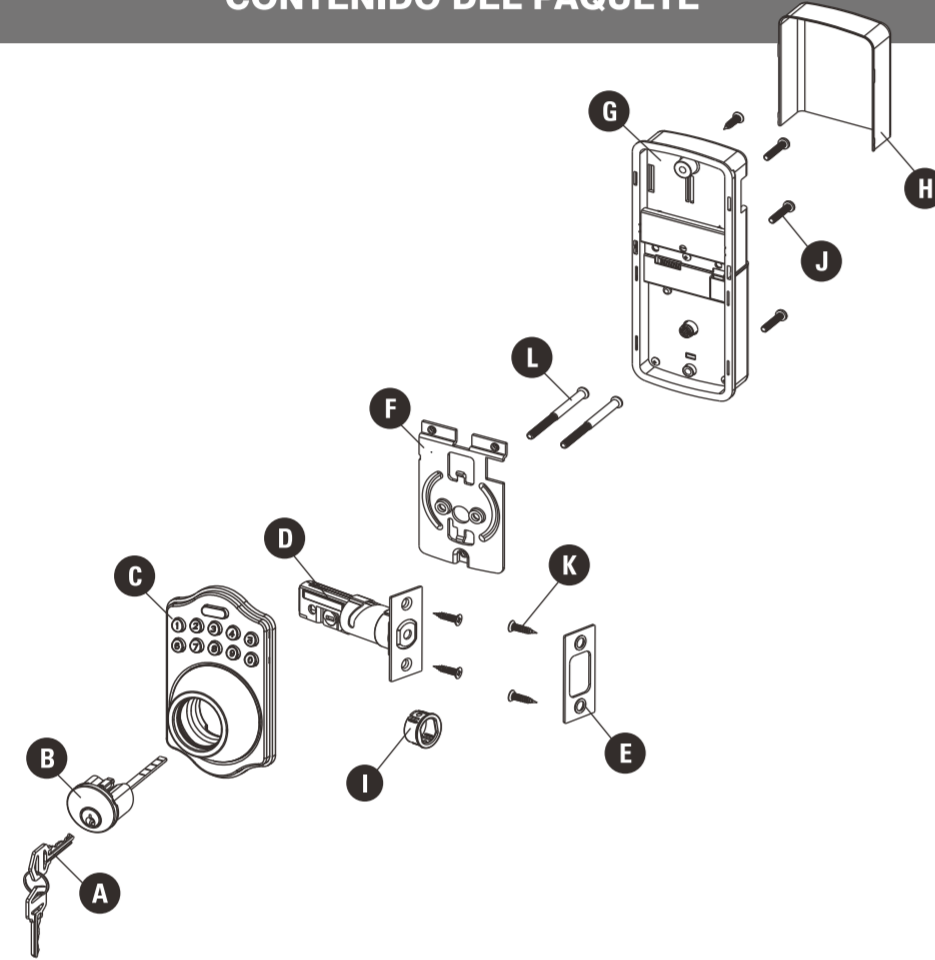
No utilice un destornillador eléctrico durante la instalación.

ADVERTENCIA

Este Fabricante hace saber que no hay cerrojos que puedan proporcionar completa seguridad por sí mismos. Puede hacerse que falle este cerrojo forzándolo o utilizando medios técnicos, o puede evadirse entrando por otra parte de la propiedad. No hay cerrojos que puedan hacer de sustitutos para la precaución, el estar al tanto del entorno, y el sentido común. Pueden obtenerse piezas de ferretería de constructor con diversos grados de rendimiento para ajustarse a la aplicación. Para realizar la seguridad y reducir los riesgos, debe consultar con un cerrajero capacitado u otro profesional de seguridad.



CONTENIDO DEL PAQUETE



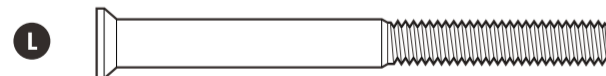
Pieza	Descripción	Cantidad	Pieza	Descripción	Cantidad
A	Llave	2	E	Placa de cerrojo	1
B	Cilindro	1	F	Placa de montaje	1
C	Ensamblaje con cerradura con teclado	1	G	Conjunto del receptor	1
D	Pestillo de la cerradura	1	H	Cubierta de la batería	1
			I	Manga del pestillo (Opcativa)	1

ADITAMENTOS



Tornillo de montaje Cant. 3

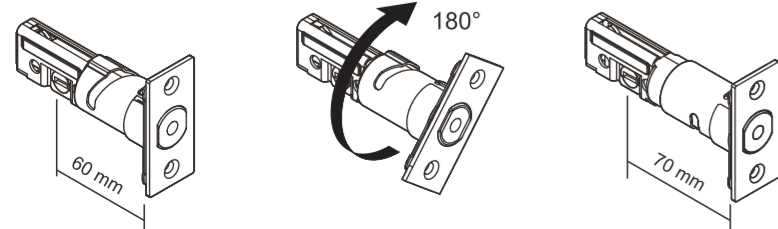
Tornillo para madera Cant. 5



Tornillo de montaje Cant. 2

ADJUSTE DEL PESTILLO

Determine si necesita ajustar el pestillo a la distancia de entrada de 2-3/4" (70mm). Para ajustar, gire el pestillo hasta que se detenga. Invierta la dirección para volver a la distancia de entrada de 2-3/8" (60mm).



2-3/8" (60 mm)

2-3/4" (70 mm)

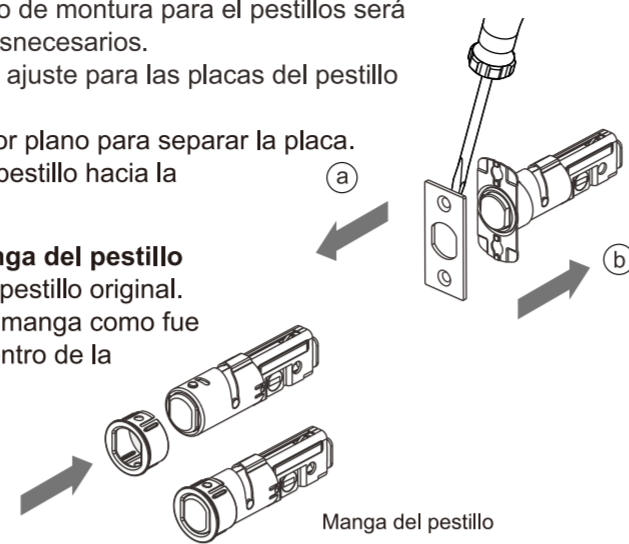
CAMBIAR LA CARA DEL PESTILLO

Determina cual método de montura para el pestillo será usado y haz los ajustes necesarios. No se necesita ningún ajuste para las placas del pestillo que son cuadradas.

- Usa un destornillador plano para separar la placa.
- Mueve la placa del pestillo hacia la plata trasera.

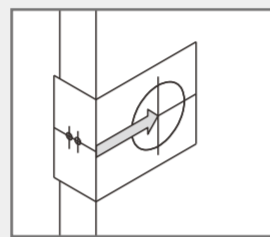
Instalación de la manga del pestillo

Remueve la placa del pestillo original. Alinea el pestillo de la manga como fue ilustrado y encájale dentro de la unidad del pestillo.



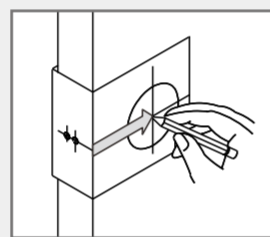
Manga del pestillo

1 Determinación de la distancia de entrada



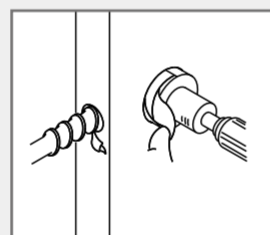
La distancia de entrada es la distancia desde el borde de la puerta hasta el centro del orificio en el frente de la puerta. El pestillo ajustable se adapta a la distancia de entrada de 2-3/8" (60mm) y 2-3/4" (70mm).

2 Marque la puerta con una plantilla



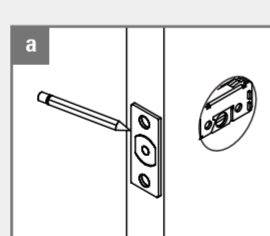
Seleccione la altura y la distancia de entrada que se desee para el frente de la puerta. Utilice la PLANTILLA para marcar el centro del círculo del frente de la puerta y del borde de la puerta.

3 Taladre los orificios



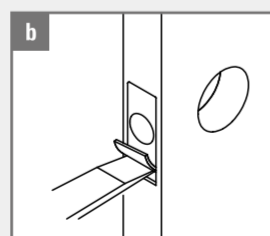
Use las marcas como guía para taladrar un orificio de Ø2-1/8" (54mm) en el frente de la puerta para la cerradura, luego uno de Ø1" (25,4mm) para el pestillo.

4 Instale el pestillo

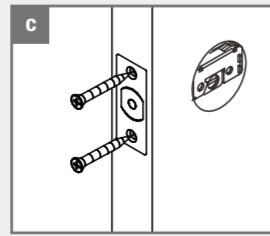


Coloque el pestillo y asegúrelo para que esté paralelo al frente de la puerta. Marque el contorno de la placa frontal, luego retire el pestillo.

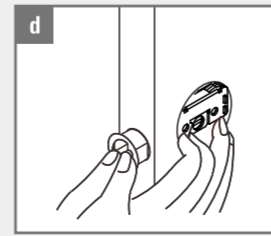
Este lado debe estar hacia arriba cuando inserte el pestillo.



Cincele con una profundidad de 5/32" (4mm) a lo largo del contorno para permitir que la placa frontal quede alineada con el borde de la puerta.

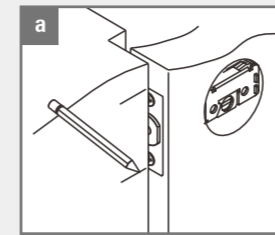


Inserte el pestillo en la puerta. Asegure el pestillo con 2 tornillos para madera. No apriete del todo los tornillos hasta que el cerrojo esté completamente instalado.

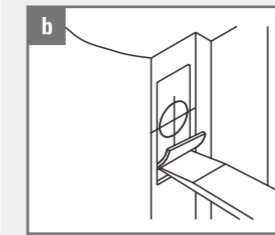


Instala la manga del pestillo
Mete el pestillo en el agujero, en el borde de la puerta.

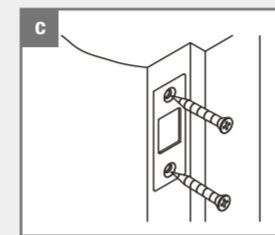
5 Instale el cerrojo



Para identificar el centro del cerrojo: cierre la puerta para disponer la cerradura contra el marco para puerta. Marque el centro del marco para puerta opuesto de manera exacta al orificio del pestillo en el borde de la puerta.



Mida la mitad del grosor de la puerta desde el tope de la puerta y marque el centro del cerrojo verticalmente. Taladre un orificio de 1" (25.4 mm) y 1" (25.4 mm) de profundidad en la intersección de las líneas verticales y horizontales del cerrojo.



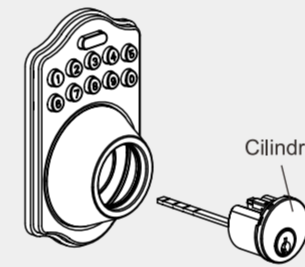
Instale la placa del cerrojo en el marco para puerta y apriete con tornillos para madera.

Cincele con una profundidad de 5/64" (2mm) a lo largo del contorno del cerrojo para permitir que este quede alineado con el marco para puerta.

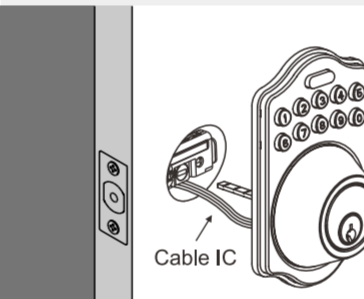
6 Instale el ensamble con teclado

Instale el cilindro en el ensamblaje con cerradura con teclado de manera que la pieza posterior se inserte en posición horizontal a través del módulo del pestillo.

Pase el cable IC por debajo del pestillo hacia el lado interior de la puerta.

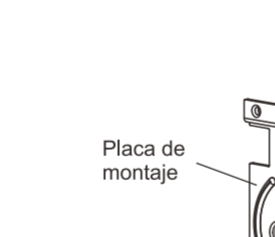


Cilindro



Cable IC

7 Instale la placa de montaje interior



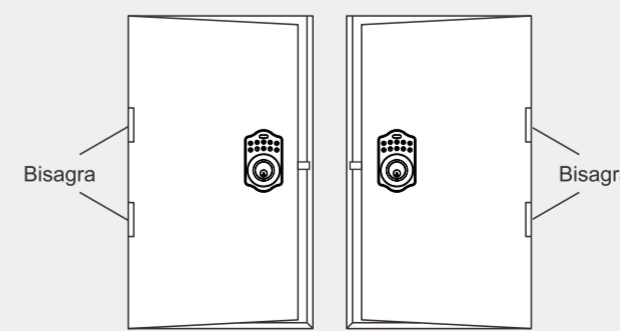
Placa de montaje

Tornillos

Pase el cable IC a través del orificio del cable de la placa de montaje. Fije la placa de montaje con tornillos. Si el ensamblaje de bloqueo externo está torcido, afloje los tornillos para ajustar la posición y vuelva a apretar los tornillos.

8 Identifique la manija de la puerta

Colóquese frente a la puerta desde la parte externa, la puerta se abrirá hacia la izquierda si las bisagras están del lado izquierdo de la puerta, mientras que lo hará hacia la derecha si las bisagras se encuentran del lado derecho.



Hacia la izquierda

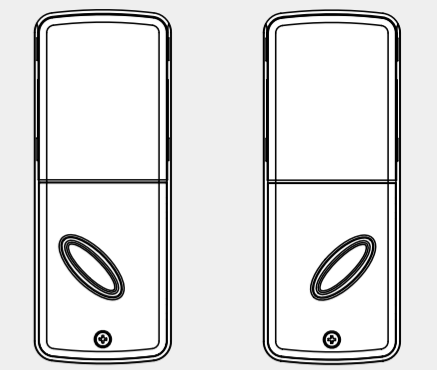
Hacia la derecha

9 Ajuste la pieza de giro del pulgar

Gire la pieza de giro unos 45 grados hacia la izquierda para que la puerta se abra hacia la derecha.

Gire la pieza de giro unos 45 grados hacia la derecha para que la puerta se abra hacia la izquierda.

Nota: La pieza giratoria del pulgar es opuesta al lado de enganche.

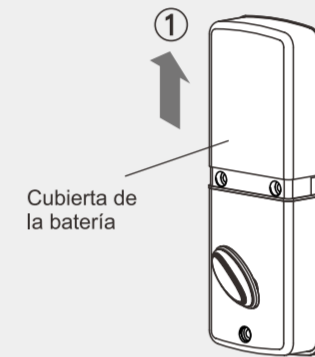


Si la puerta se abre hacia la derecha

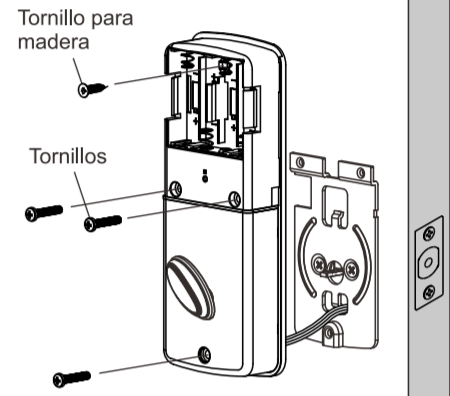
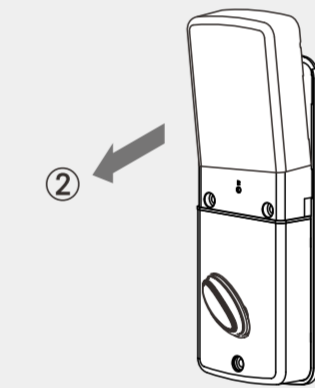
Si la puerta se abre hacia la izquierda

10 Instale el módulo receptor

Para retire la cubierta de la batería, primero jale hacia arriba y, luego, hacia fuera.



Cubierta de la batería



Tornillo para madera

Tornillos

Conecte el cable IC a la parte posterior del módulo receptor.

Asegúrese de que la parte posterior de la cerradura esté conectada con la pieza de giro. Luego, fije el módulo receptor a la puerta con tornillos.

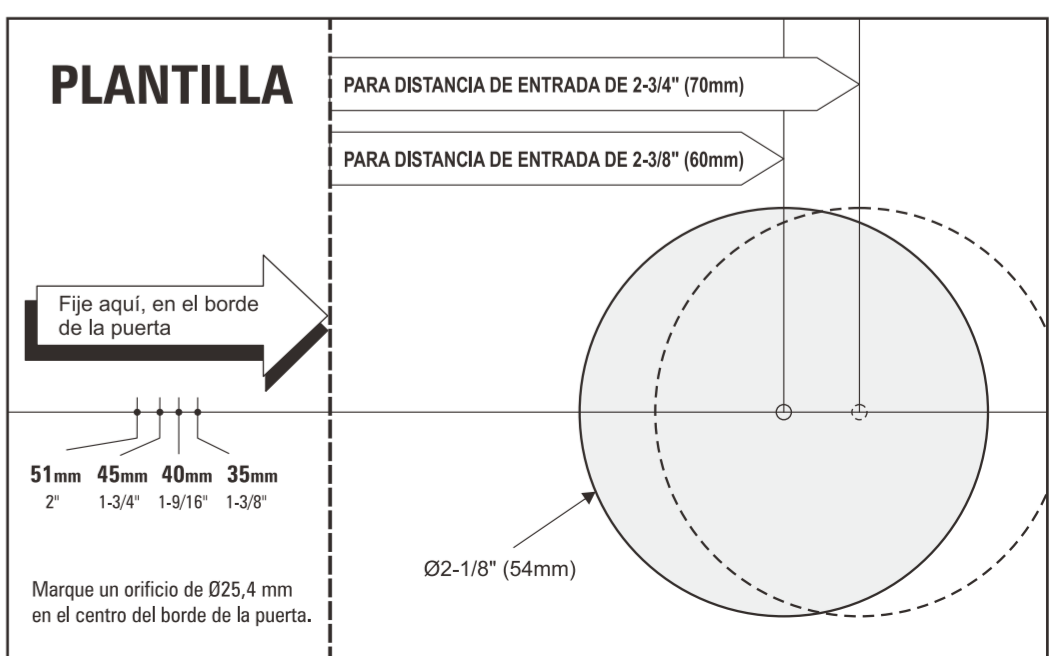
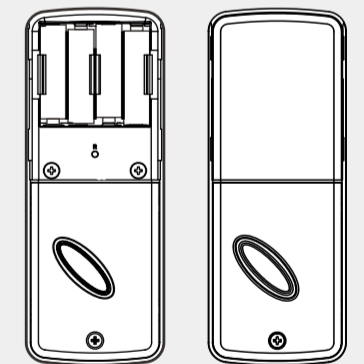
Use el tornillo para madera opcional para asegurar el módulo receptor únicamente a puertas de madera.

11 Inserte las baterías

Inserte 4 baterías alcalinas (AA) de 1,5 V (no incluidas) y deslice la cubierta de las baterías de vuelta en el módulo receptor.

Observaciones:

- Se recomiendan las baterías alcalinas para estabilizar el suministro de electricidad. El uso de baterías que no sean alcalinas afectará considerablemente el rendimiento.
- Todos los parámetros de configuración se guardarán en la memoria, incluso si las baterías se agotan completamente.



PLANTILLA

PARA DISTANCIA DE ENTRADA DE 2-3/4" (70mm)

PARA DISTANCIA DE ENTRADA DE 2-3/8" (60mm)

Fije aquí, en el borde de la puerta

51mm 45mm 40mm 35mm
2" 1-3/4" 1-9/16" 1-3/8"

Marque un orificio de Ø25,4 mm en el centro del borde de la puerta.

Ø2-1/8" (54mm)