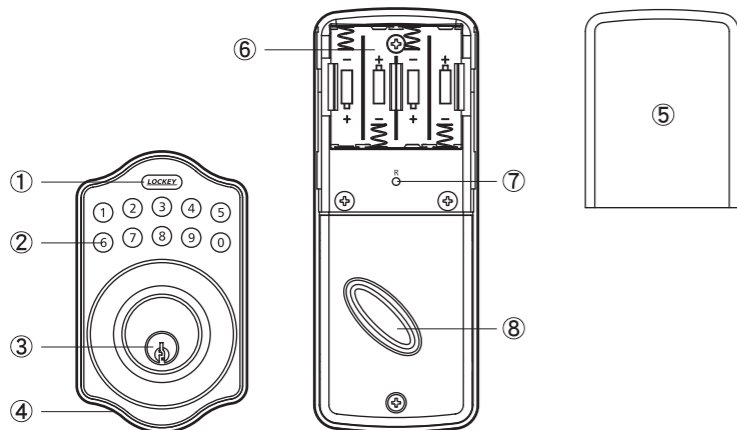


ELECTRONIC DEADBOLT

User Guide

Do not use any chemical liquid or lubricating oil with additives to clean the lock body. It will damage the surface or even mainboard.

Operational Interface



- 1 Programming Button**
Programming button is for entering codes, clearing errors and setting function. It is also used to lock the door.
- 2 Number Buttons**
To enter user codes. Each user code is 4–10 digits in length.
- 3 Cylinder**
To lock/unlock the lockset from outside.
- 4 Washer**
Prevents water from permeating into lockset.
- 5 Battery Lid**
Slide the lid to change the batteries.
- 6 Battery Holder**
Four AA (1.5 V) alkaline batteries.
- 7 R Button (Reset)**
Restore default settings.
- 8 Turn-piece**
To lock/unlock the lockset from inside.

Operating Instructions

Keep the door open while programming to avoid being locked out accidentally.
The lock contains one factory-preset user code but can be programmed to store up to a total of six additional unique use codes. Codes can be added and deleted at any time. For first-time programming, use factory default programming code. It's recommended to change the default programming code and default user code right after your install the lock.

Unlocking the lockset

From the exterior, the lockset can be unlocked using the key or by entering the User Code followed by the Lockey button on the keypad. From the interior, unlock by turning the thumbpiece.

Locking the lockset

From the exterior, the lockset can be locked using the key or by pressing the Lockey button on the keypad. From the interior, lock the lockset by turning the thumbpiece.

Operation Indicator Sounds and Lights

Sounds	Lights	Meaning
1 Beep	Flashes Green Once	Successful Operation
2 Long Beeps	Flashes Green Twice	Successful Programming
3 Beeps	Flashes Red 3 Times	Operation Error
5 Beeps	Flashes Red 5 Times	Code Input Error; System Shuts Down for 45 seconds
10 Rapid Beeps	Flashes Red 10 Times	Low Battery Power
3 Long Beeps	Flashes Orange 3 Times	Default Setting Restored
	Flashes Orange Slowly	In Programming Mode

Default programming code (PC): 0000

Default user code (UC): 1234

Your new programming code (PC) _____

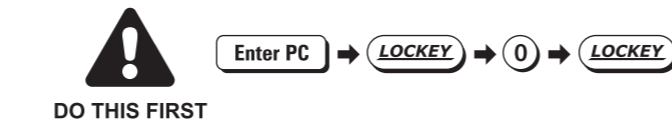
Your new user code (UC) _____

The same programming code and user code cannot be accepted.

The lock will cease operation if unauthorized codes are entered over 5 times. The system will unfreeze after 45 seconds.

Door Handing Identification Process

The lock needs to learn if your door is a right-handed or left-handed.



Add New User Code



Note: Up to 6 sets of user codes can be saved. User codes should be 4–10 digits in length.

Delete an Existing User Code



Delete All User Codes at Once



Note: Auto-locking and keypad locking functions will be invalid when user codes are deleted. The lock can only be operated by key during that time.

Change Programming Code



Toggle Auto-Lock On/Off



Note: The preset delay-time is 30 seconds, you can change the time by following instructions #7. Repeat the steps in #6 to cancel the auto-locking function.

Set Auto-Lock Time Delay



Note: 10–99 seconds delay-time available.

Toggle Mute On/Off



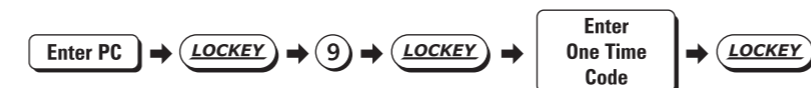
Note: Repeat same steps in #8 to turn beeper On/Off. LED illumination is still functioning when it's in mute, but there will be no warning alarms.

Enable/Disable All User Codes



Note: Auto-locking and keypad locking functions will be invalid when user codes are disabled. The lock can only be operated by key during the time. Repeat the steps to enable the user codes again.

Create a One-Time User Code 4–10 Digits Long

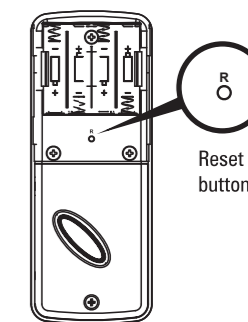


Note: The one-time user code will automatically cancel after it is used one time.

Restore Default Settings

Press **R**

Note: Press the button for more than 5 seconds; the programming is reset back to the original factory codes once you hear 3 long beeps. After restoring default settings, you must run the door handing identifying process (#1) again before programming any other functions.



Trouble shooting

PROBLEM	POSSIBLE CAUSE	CORRECTIVE ACTION
After installing the lockset and batteries, the door can't be locked and three short beeps are emitted when you press the Programming button.	The door-handing identification process isn't yet complete.	Refer to step 1.
You've installed the lockset and batteries, but you still get no response when you press any button.	Batteries were installed incorrectly.	Check to see if the battery polarities have been reversed or if the battery is dead. If so, re-install or change the battery. If not, please check to see if the cable is properly connected.
When you are in the door-handing identifying process, you get the red light flashing three times, and three short beeps.	Wrong door-handing or change of the door-handing in the memory.	Press the R button to restore the system to factory default setting and re-execute door-handing identifying process (Refer to step 1)
Although you succeeded in the first execution of the door-handing identifying process, the latch still doesn't work. (i.e. You can feel the motor attempting to run, but the latch bolt is stuck, and the turnpiece can't be rotated.)	Low battery.	Replace with new alkaline batteries.
Although the electronic deadbolt has been functioning normally, the latch bolt suddenly locks up, and the turnpiece inside can't be rotated, not even with a key.	The deadbolt latch is stuck due to a warped door or misaligned door.	First, take out one battery, then press any button on the front panel for electric discharge, and put the battery back in. The latch bolt will automatically re-detect its position. Note: If the latch gets stuck frequently, please check and fix the alignment of the deadbolt latch & strike plate.
The door can be locked normally, but when you try to unlock it, you hear three short beeps and the lock won't unlock when you enter the user code and press the programming button.	The sensor did not sense position.	Unlock the door with the key and re-program the unit. If the problem persists, call our customer service department.
While the door is locked, you hear the latch bolt coming out when you press the Gatehouse to lock the door; however, three short beeps are emitted. Conversely, while the door is open, no beeps are emitted when locking the latch bolt.	(1) The depth of the latch bolt hole is insufficient. (2) The latch bolt is not aimed at the opening of the strike.	(1) Dig the latch bolt hole for the strike deeper. The minimum depth is 1" (2.5 cm). (2) Adjust the strike to the appropriate position.

Warranty

The manufacturer warrants the product to be free from defects in material and workmanship for a period of 12 months from the original date of purchase. If you discover a defect in the product covered by this warranty, we will repair or replace the item at our option using new or refurbished components.

EXCLUSIONS

This warranty covers defects in manufacturing discovered while using the products as recommended by the manufacturer rather than occurred by the act of God, and damages caused by misuse, abuse, and unauthorized modification.

LIMITED LIABILITY

The manufacturer will not be held liable for incidental or consequential losses or damages from any act of God.