



KleerFlex Door®

Installation Instructions

Using the MaxBullet® System

TOOLS NEEDED

- Pen or Pencil to Mark Drill Holes
- Drill
- Step Stool or Ladder

IMPORTANT

Prior to installation, **unroll all door strips** and place them on a clean, flat surface in a warm atmosphere for a minimum of twenty-four (24) hours. This will allow the strips to return to their original form.

MaxBullet® Aluminum Hardware:

Can be mounted in either the Under Header (Lintel) Position Diagram 1 or the Wall (Header) Position Diagram 2

MaxBullet® HTP Hardware:

Can be only mounted in the Wall (Header) Position Diagram 2

Diagram 1

Under Header (Lintel) Position

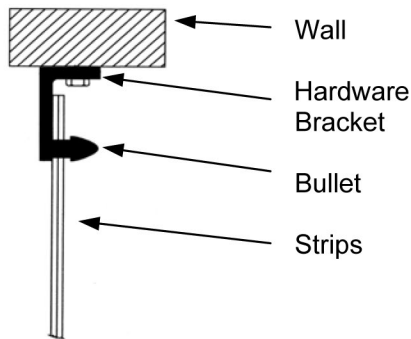


Diagram 2

Wall (Header) Position

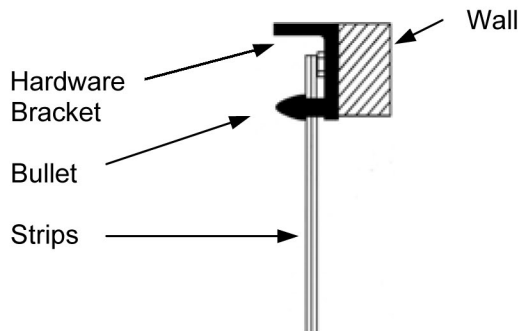
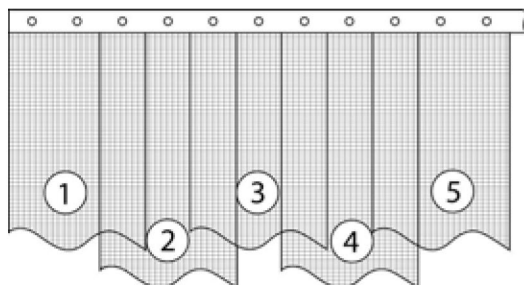


Diagram 3

Front View Strip Spacing



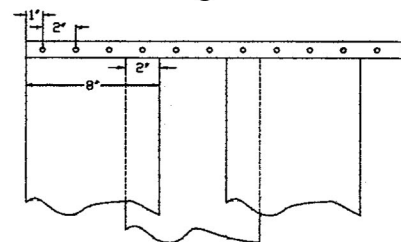
1. Mount the hardware bracket included in your door kit in either the under header or wall position shown in Diagrams 1 and 2 using the appropriate fasteners (not included).
2. Press the door strips onto the "bullets" of the hardware bracket making certain that the concave sides are facing each other (Diagram 4). Attach strip numbers 1 and 3 (Diagram 3) leaving desired spacing between strips as indicated below (Diagram 5).

Diagram 4

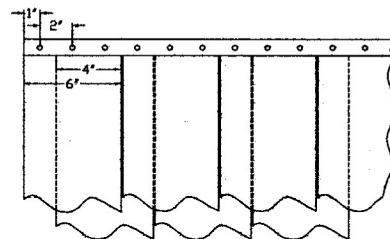


3. Attach strip number 2 over strip numbers 1 and 3 (Diagram 3).
4. Attach all of the remaining door strips in the same manner as in Steps 2 and 3.

Diagram 5



PARTIAL OVERLAP 50%



FULL OVERLAP 100%